

RN61527RF-4PK

CRI 90 2700K 1100Lumens LED Downlight

Elitco Lighting



Operating at 120 volts, Smooth dimming feature and compatible with a wide variety of dimmers. Fits in almost any recessed applications from residential to commercial.

Performance

- LED light is designed to provide 50,000 hours of life
- Energy-saving & Super bright, saving 85% energy compared
- UL compliant, for use in DAMP locations

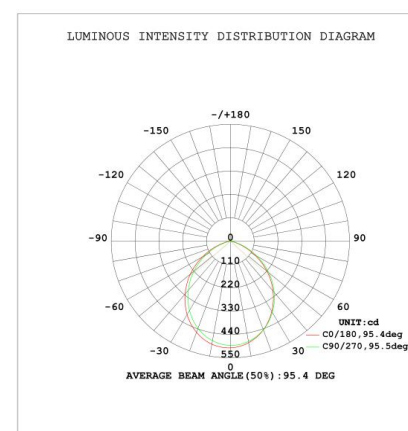
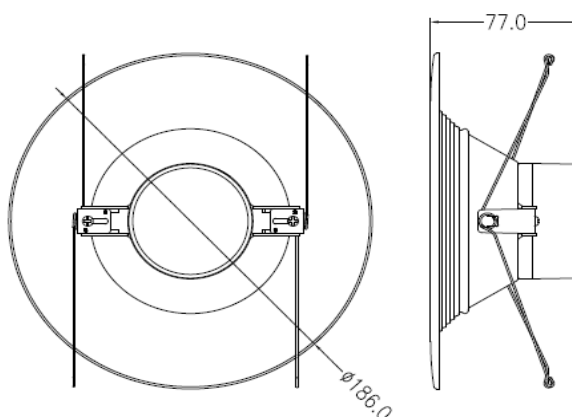


Construction

- Aluminum

Installation

- LED Downlight embedded
- Size: $\Phi 7.3$ "(186mm)*H3"(77mm)



Specifications

Category	RETROFIT	Individual Box Weight per Unit (LBS)	0.77
Shape	ROUND	Inner Package Length (Inch)	14.57
Bulb Base Type	INTEGRATED LED	Inner Package Width (Inch)	8.27
Bulb Base Finish	N/A	Inner Package Height (Inch)	8.07
Color Temperature	2700K	Inner Package Weight Per Unit (Lbs)	4.49
Beam Angle	100°	Inner Package Quantity	4.00
Finish	MATTE WHITE		
CRI	90		
Average Life (Hours)	50000		
Estimated Yearly Energy Cost (11 ¢/Kwh)	1.81		
Life Based On 3Hrs/Day (Years)	45.66210046		
Product Length (Inch)	N/A	Lamp Type	LED DOWNLIGHT
Product Width (Inch)	7.3	Bulb Shape	N/A
Product Height (Inch)	3	Dry/Wet/Damp	Damp
Product Extension (Inch)	N/A	Energy Star	NO
Product Weight Per Unit (Lbs)	0.24	Power Factor	0.90
Dimmable	YES	Current	125MA
Watts	15W	Lumen/Watt	73.00
Watt Equivalent	100	Warranty (Year)	5.00
Lumens	1100	DLC (Yes/No)	N/A
Certification (UL/ETL/FCC)	UL	Input Voltage	120V
Individual Box LENGTH (INCH)	7.87	Housing Material	Aluminum
Individual Box Width (INCH)	3.54	Lens	PC
Individual Box HEIGHT (INCH)	7.75	Led Type	Bridgelux 2835