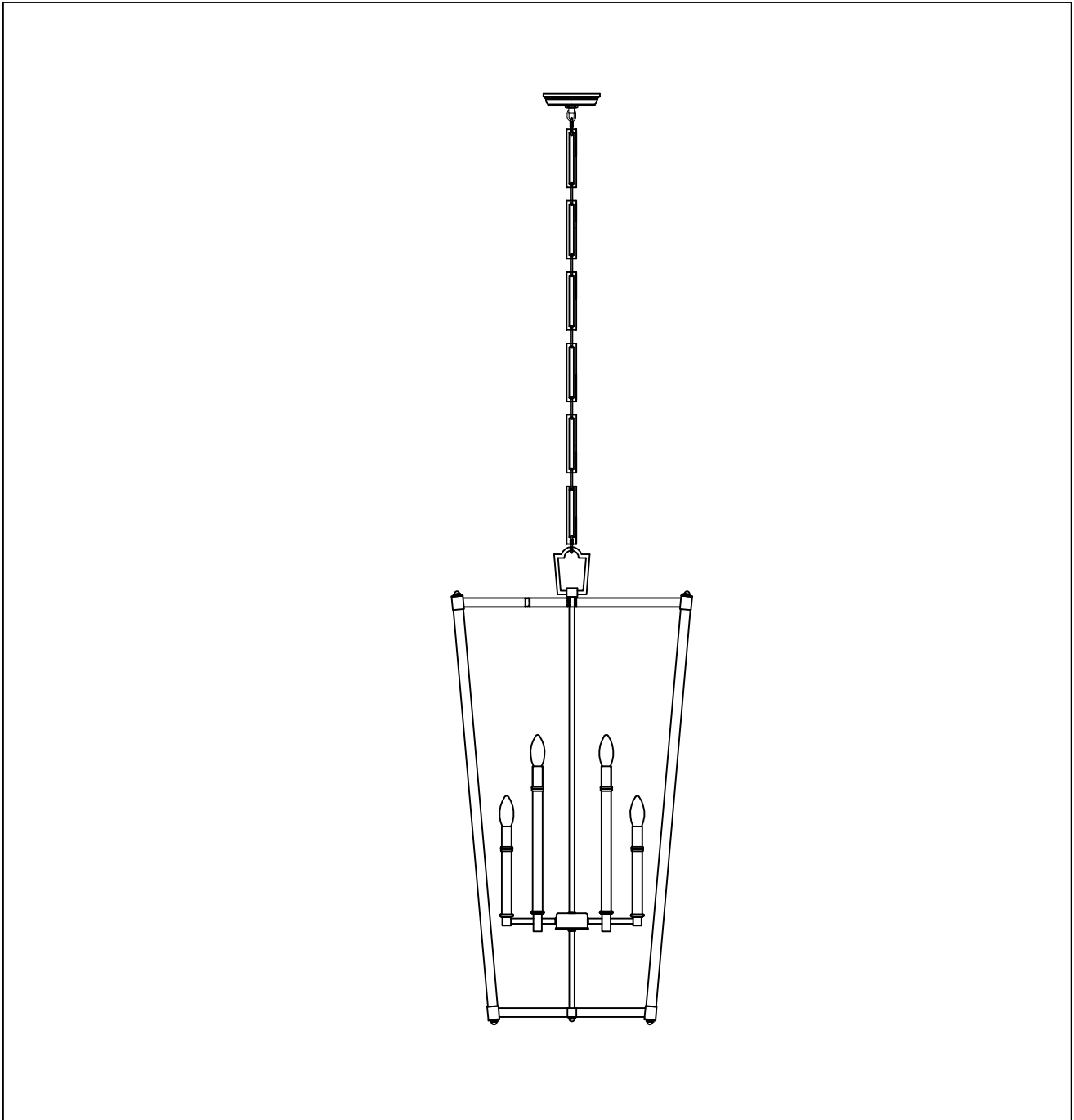




PRODUCT NAME: Lucent 8LT Pendant

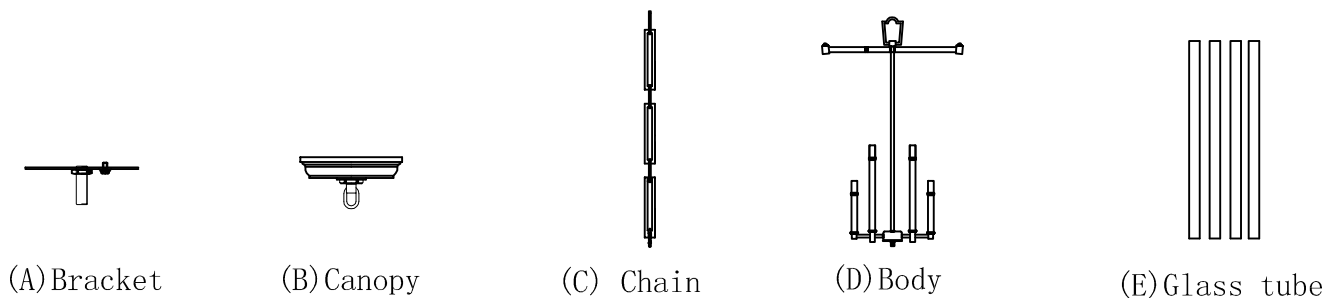
ITEM NUMBER: 16102

Please consult your electrician for Hang fixture and wiring.

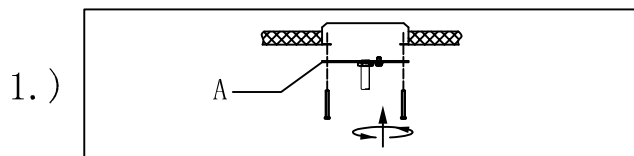
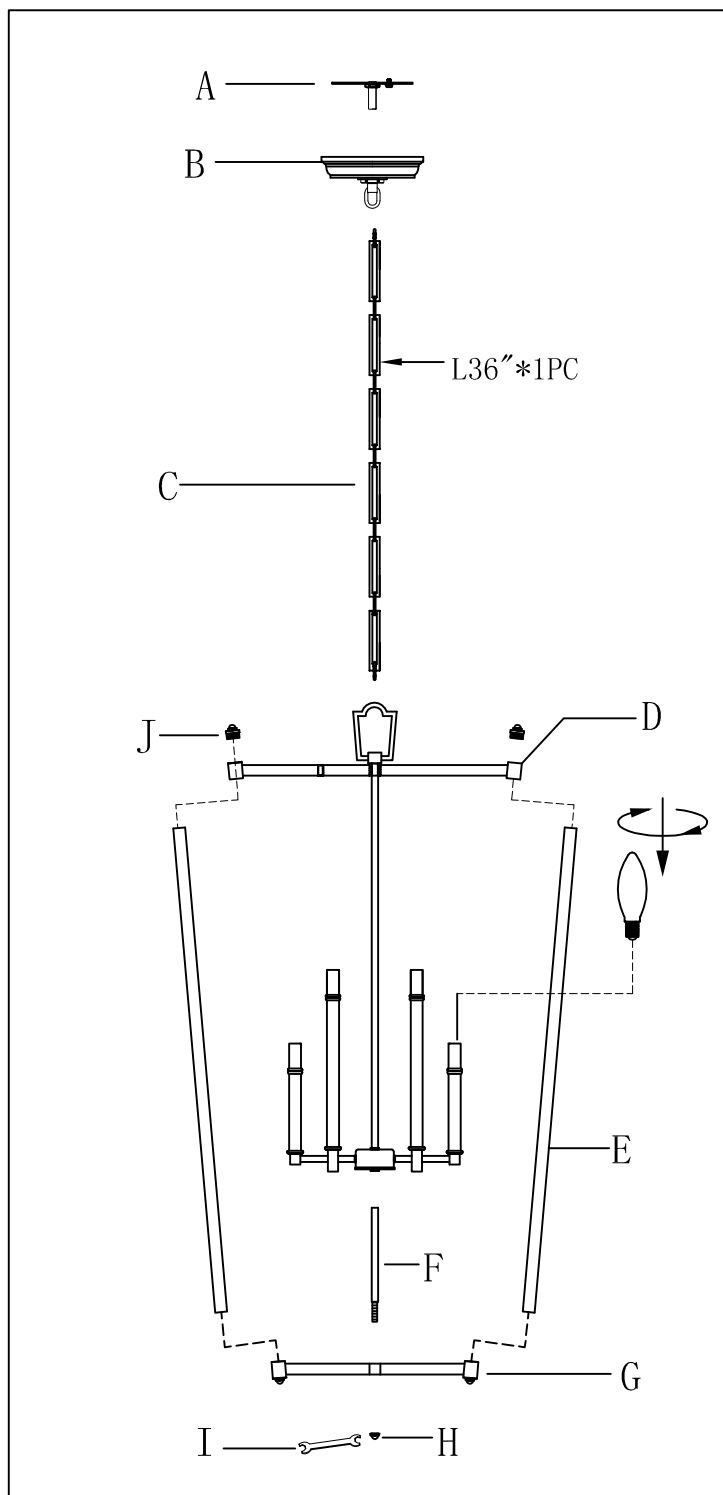


Bulb(not included) :8*CA 60W

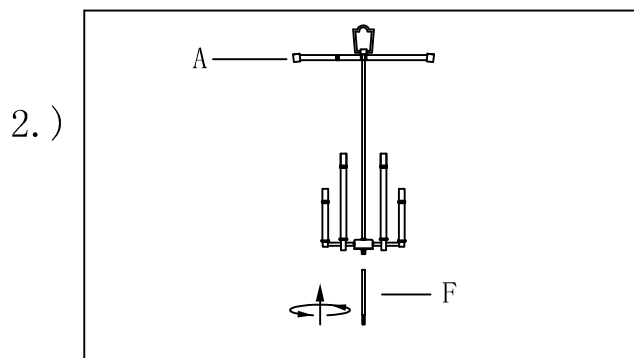
IMPORTANT: Turn off power at the main fuse or circuit breaker box before starting installation



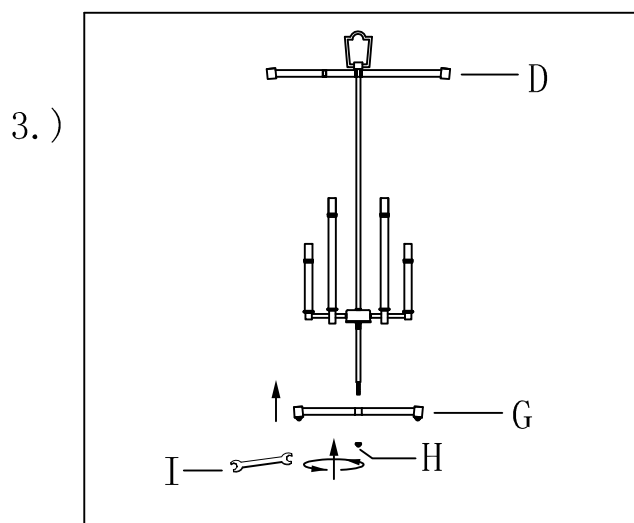
Locate all hardware & components before discarding packaging



Step. 1: Remove mounting bracket (A) from fixture and install to electrical box.



Step. 2: Screw up the stem (F) on the bottom of fixture.



Step. 3: Install the frame (G) on another side of stem (F), then use Wrench (I) to tighten nut (H) to lock the frame on the bottom of Fixture.

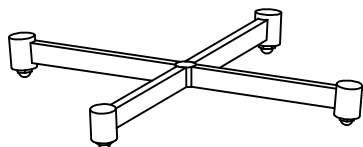
Cleaning & Care:

Clean with soft cloth and a mild detergent.
Do not use abrasive cleaner.

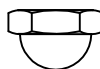
IMPORTANT: Turn off power at the main fuse or circuit breaker box before starting installation



(F) Stem



(G) Bottom Frame



(H) Nut

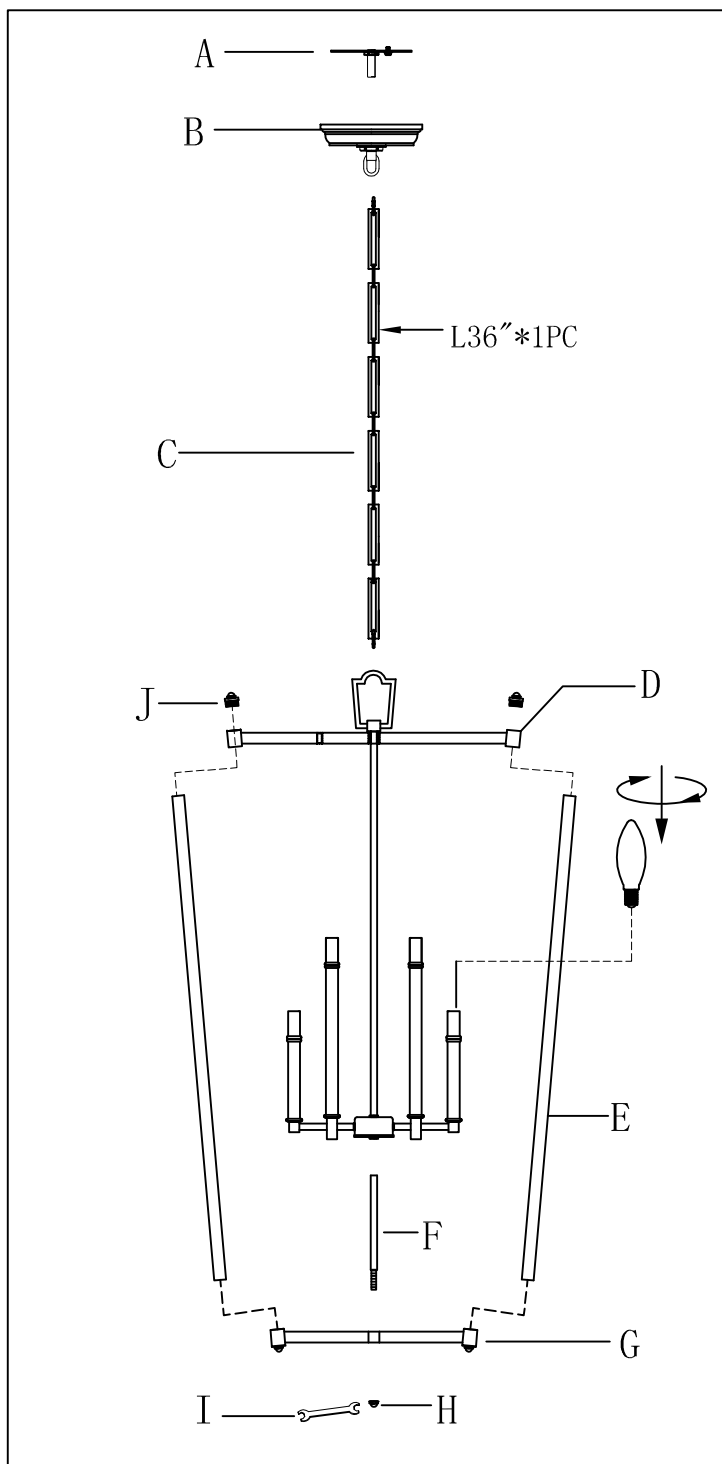


(I) Wrench

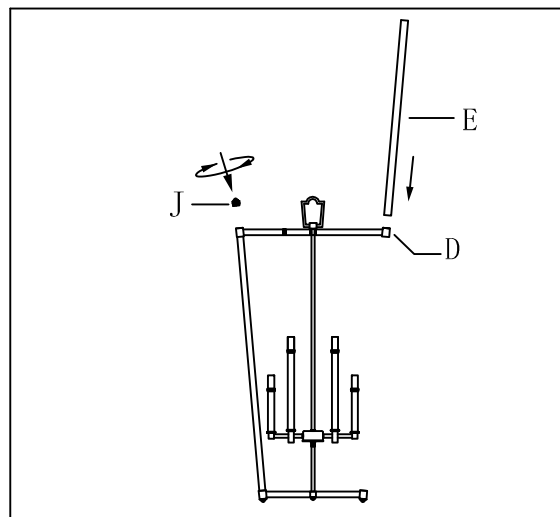


(J) Screw Part

Locate all hardware & components before discarding packaging

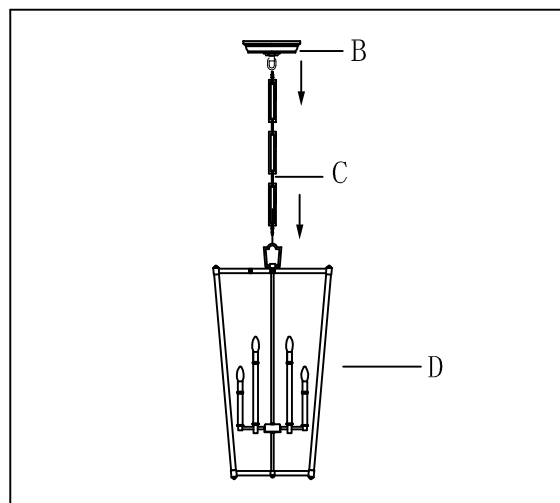


4.)



Step. 4: Install the glass tube (E) across the hole on the top frame until one side of glass tube into the hole which on the bottom, then screw down the Part (J) into the hole which on the top frame.

5.)



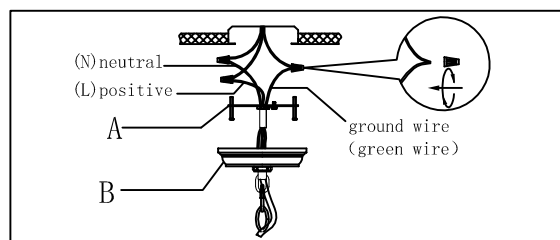
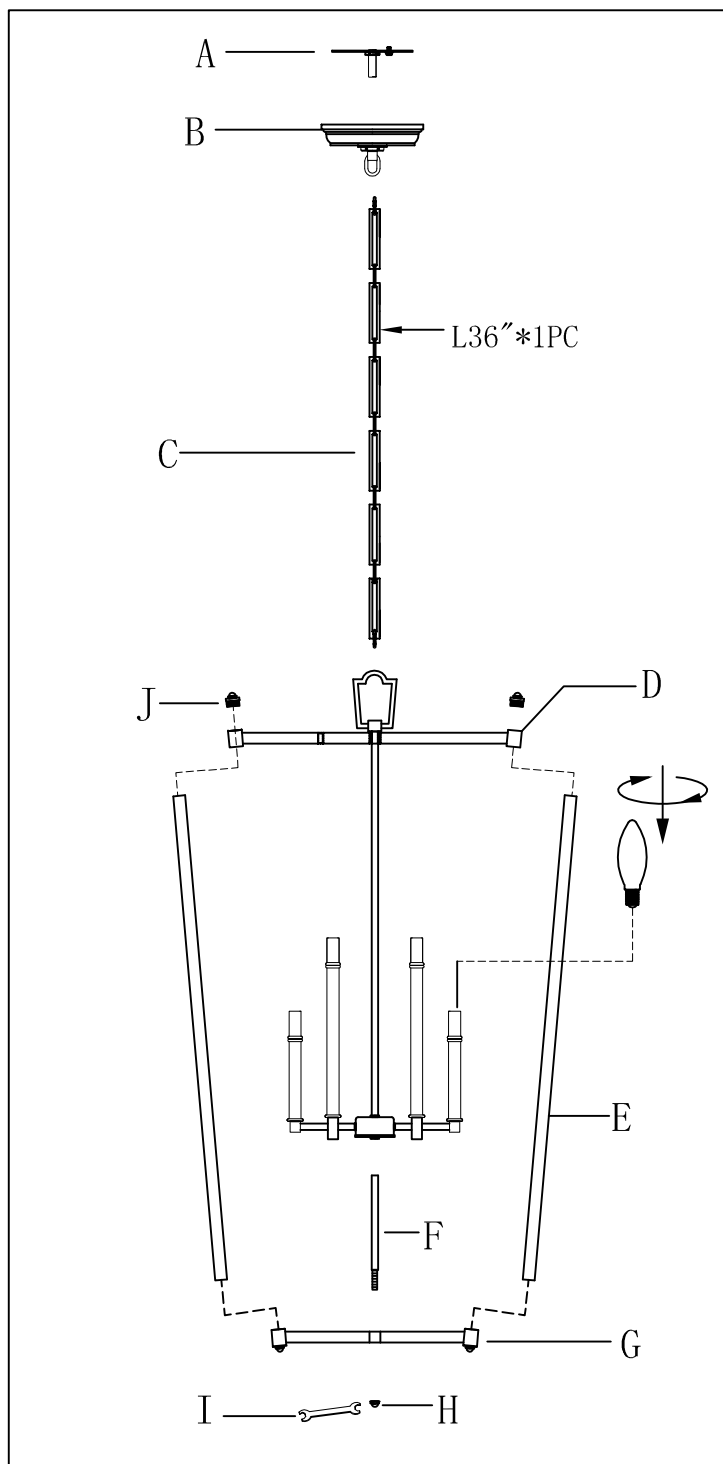
Step. 5: Attach appropriate amount of chain to loop to achieve desired mounting height. Thread wire through every 3rd loop of chain.

Cleaning & Care:

Clean with soft cloth and a mild detergent.
Do not use abrasive cleaner.

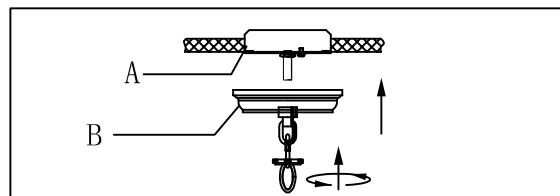
IMPORTANT: Turn off power at the main fuse or circuit breaker box before starting installation

Locate all hardware & components before discarding packaging



6.)

Step. 6: Wire fixture to wires in outlet box. remove ring from loop and slide down chain. Place canopy onto chain and let slide to top of fixture. install nipple and cross bar into top of chain loop. Wire fixture to wires in outlet box. Copper wire is for Ground.



7.)

Step. 7: Pull canopy through screw ring up chain to ceiling and tighten securely.

Cleaning & Care:

Clean with soft cloth and a mild detergent.
Do not use abrasive cleaner.