

WAC LIGHTING

Fixture Type: _____

Catalog Number: _____

Project: _____

Location: _____

60W/96W/3X96W 120-277VAC INPUT 24VDC CCT REMOTE POWER SUPPLY

Model & Product

PS-24DC-U60R-CS-SM 60W 120-277VAC INPUT 24VDC Power Supply in BLACK

L x W x H

7.6875" X 3.875" X
1.375"

Example: **PS-24DC-U60R-CS-SM**

FEATURES

- Universal Input 120-277VAC
- 0.9 pf
- Overload and short circuit protection
- ELV/ TRIAC/0-10V Dimming Control
- Select and choose desirable CCT
- 3 X 96W Maximum Output
- 5 Year warranty

SPECIFICATIONS

Input:	120-277VAC, 50/60Hz
Dimming:	ELV: 100-1%, 0-10V: 100-1%, TRIAC: 100-1%
Rated Life:	50000 Hours
Mounting:	Can be mounted on ceiling or wall in all orientations
Standards:	UL, cUL Damp Location Listed



FINISHES

BLACK

WAC LIGHTING

Fixture Type: _____

Catalog Number: _____

Project: _____

Location: _____

60W/96W/3X96W 120-277VAC INPUT 24VDC CCT REMOTE POWER SUPPLY

Model & Product

PS-24DC-U96R-CS-SM 96W 120-277VAC INPUT 24VDC Power Supply in BLACK

L x W x H

7.6875" X 3.875" X
1.375"

Example: **PS-24DC-U96R-CS-SM**

FEATURES

- Universal Input 120-277VAC
- 0.9 pf
- Overload and short circuit protection
- ELV/ TRIAC/0-10V Dimming Control
- Select and choose desirable CCT
- 3 X 96W Maximum Output
- 5 Year warranty

SPECIFICATIONS

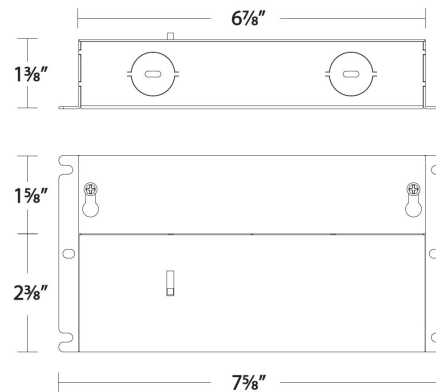
Input:	120-277VAC, 50/60Hz
Dimming:	ELV: 100-1%, 0-10V: 100-1%, TRIAC: 100-1%
Rated Life:	50000 Hours
Mounting:	Can be mounted on ceiling or wall in all orientations
Standards:	UL, cUL Damp Location Listed



FINISHES

BLACK

LINE DRAWING



WAC LIGHTING

Fixture Type: _____

Catalog Number: _____

Project: _____

Location: _____

60W/96W/3X96W 120-277VAC INPUT 24VDC CCT REMOTE POWER SUPPLY

Model & Product

PS-24DC-U288R-CSSM 3X96W 120-277VAC INPUT 24VDC Power Supply in BLACK

L x W x H

10.75" X 8.625" X
1.375"

Example: **PS-24DC-U288R-CSSM**

FEATURES

- Universal Input 120-277VAC
- 0.9 pf
- Overload and short circuit protection
- ELV/ TRIAC/0-10V Dimming Control
- Select and choose desirable CCT
- 3 X 96W Maximum Output
- 5 Year warranty

SPECIFICATIONS

Input:	120-277VAC, 50/60Hz
Dimming:	ELV: 100-1%, 0-10V: 100-1%, TRIAC: 100-1%
Rated Life:	50000 Hours
Mounting:	Can be mounted on ceiling or wall in all orientations
Standards:	UL, cUL Damp Location Listed

FINISHES

BLACK

LINE DRAWING

