

# LED Product Information and Warnings

## Important

- **Always disconnect the power before installing or replacing bulbs and before cleaning or other maintenance.**
- **Consult a qualified, licensed electrician to ensure correct branch circuit conductor.**
- Please read all included assembly instructions and warnings carefully before installation. Contact Customer Service if you have any questions or concerns. Before installation, please confirm that the fixture is compatible with your supply voltage and dimming system, if present.
- LEDs are highly sensitive electronic devices, and must be treated with care. Do not open any factory sealed compartments, and avoid touching the LEDs with your hands or any object.
- Although all our fixtures are equipped with protective devices, LED fixtures are vulnerable to power surges and supply variations. Do not install LED fixtures on the same circuit as any motors, appliances, or HVAC systems.
- Do not remove or bypass any LED Driver or Transformer that is provided with the fixture, and do not replace or substitute with another power supply.
- Remote LED Driver or Transformer installation must be done by a licensed electrician and in accordance with local codes. Remote installations should be in an accessible location, as close to the fixture as possible.
- Fixtures must be wired in parallel on independent leads; do not "daisy chain" multiple fixtures together or wire them in series.
- All factory-made splices and connections must remain intact. LED circuits are carefully designed and built, and improper connections may damage the fixture.
- The ends of coaxial pendant cords have been precisely stripped and split at the factory and must not be field cut. Excess cord or cable should be neatly coiled and reserved in the fixture canopy.
- Any mounting hardware is provided for your convenience and should be used with discretion. Always use the appropriate hardware for the mounting surface.

June 11, 2018

# Assembly Instructions

2883

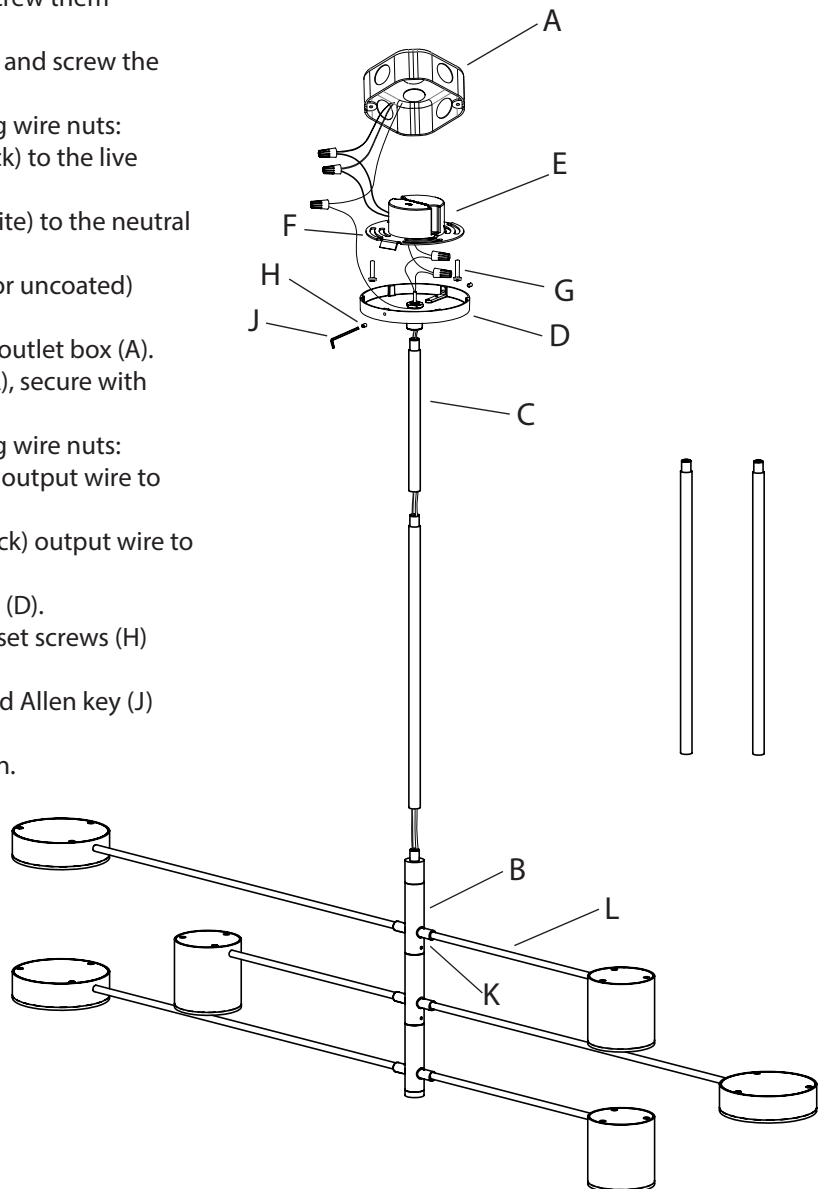
## INSTRUCTIONS D'INSTALLATION

Counterpoint Series - 6-Light LED Pendant

### Important

- Always disconnect the power before installing or replacing bulbs and before cleaning or other maintenance.
- Consult a qualified, licensed electrician to ensure correct branch circuit conductor.  
*Consulter un électricien qualifié pour vous assurer que les conducteurs de la dérivation sont adéquats.*

1. Shut off power to the outlet box (A).
2. Determine the height at which the fixture (B) is to be hung.  
Feed the fixture wires through the appropriate number of stem sections (C) for the desired length and screw them together and into the fixture.
3. Feed the fixture wires through the canopy (D) and screw the canopy onto the stem (C).
4. Make appropriate electrical connections using wire nuts:
  - a. Connect the LED driver's (E) live wire (black) to the live outlet box wire.
  - b. Connect the LED driver's neutral wire (white) to the neutral outlet box wire.
  - c. Connect the fixture's ground wire (green or uncoated) to the ground outlet box wire.
  - d. Carefully place connections and driver in outlet box (A).
5. Attach mounting plate (F) to the outlet box (A), secure with outlet box screws (G).
6. Make appropriate electrical connections using wire nuts:
  - a. Connect the LED driver's (E) positive (red) output wire to the red fixture wire.
  - b. Connect the LED driver's (E) negative (black) output wire to the black fixture wire.
  - c. Carefully place connections in the canopy (D).
7. Attach canopy (D) to mounting plate (F) with set screws (H) using the included Allen key (J).
8. Loosen center hub set screws (K) with included Allen key (J) to adjust the fixture arms (L) to the desired position, then tighten set screws to fix position.
9. Restore power to the fixture (B).



### Note

- This fixture is dimmable with Electronic Low Voltage (Trailing-Edge) and Incandescent (Leading-Edge) type dimmers only.

### Care Instructions

- **Dusting:** Use a clean, dry cloth.
- **Cleaning:** To protect the finish, avoid any harsh abrasives or chemicals.