

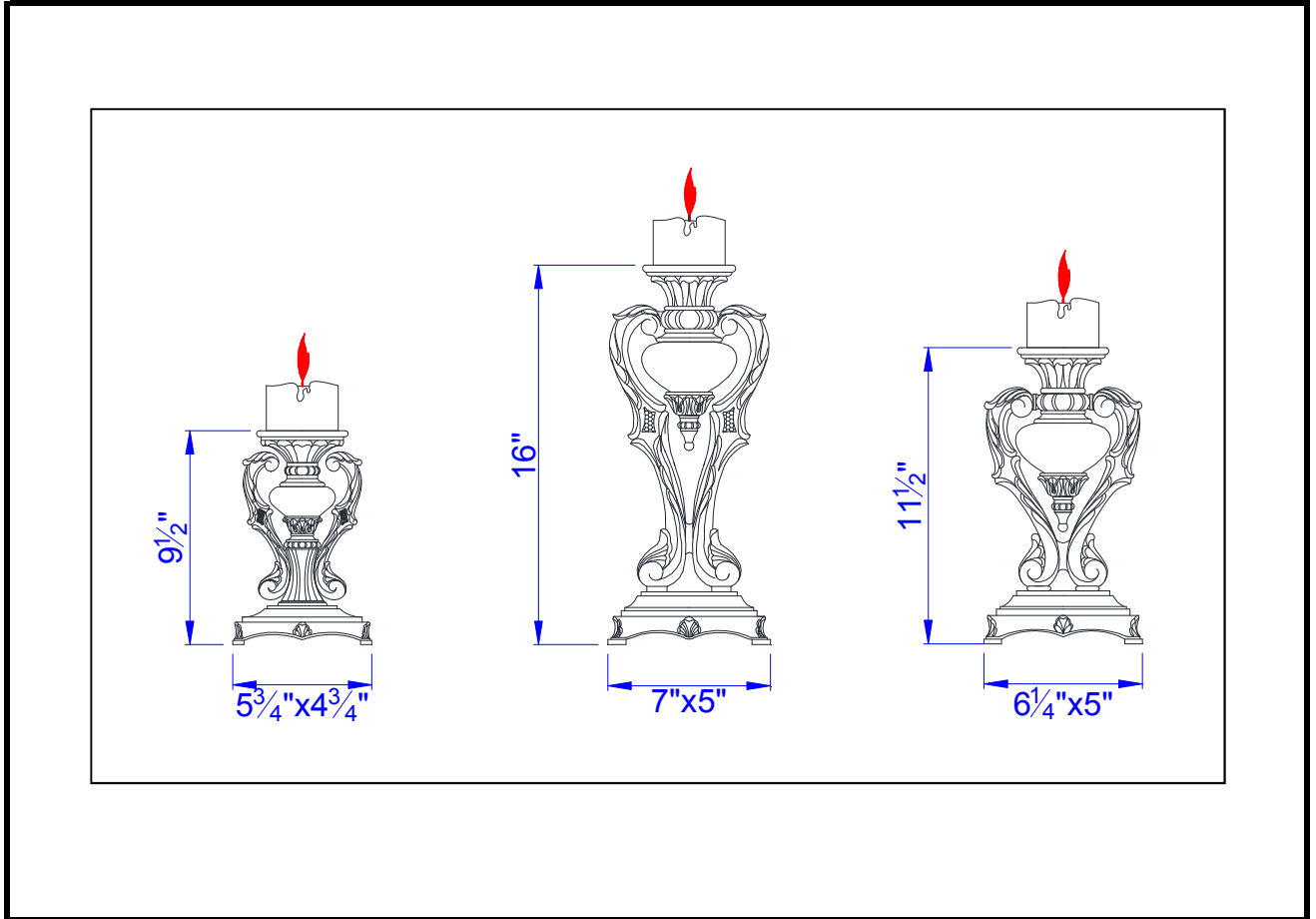


# CAL LIGHTING

3625 E. Philadelphia St. Ontario CA. 91761 • Tel: 909.947.5200 • Fax:  
909.947.5673 • www.calighting.com • service@calighting.com • Specifications  
subject to change without notice

Type: \_\_\_\_\_  
Project: \_\_\_\_\_  
Catalog No.: \_\_\_\_\_  
Lamp/Wattage: \_\_\_\_\_

## Drawing:



**Model No:** TA-587/3C  
**Description:** Traditional Resin Candle Holders with Reverse Painted Glass (Candles Included)  
**Material:** Resin+Candle  
**Finish :** Antique Bronze  
**Height:** 9 1/2", 16", 11 1/2"  
**Width:** 5 3/4"x4 3/4", 7"x5", 6 1/4"x5"  
**Wattage :**  
**Socket :**  
**Bulb:**  
**Chain Length:**  
**Wire Length:**  
**Wire Color:**  
**Shade No:**  
**Material:**  
**Shade size:**  
**Certificate :**