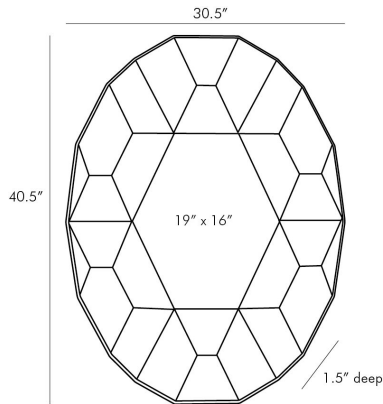


ARTERIOS

CalLEN MIRROR



4727

H: 40.5 IN, W: 30.5 IN, D: 1.5 IN

Natural Iron

Contract Suitable As Is

The Callen Mirror delivers dramatic depth and dimension. A unique geometric pattern surrounds the hexagon-shaped glass center creating a reflective tortoiseshell appearance. Framed in natural iron the heavily antiqued outer mirrored panels provide warm and cool tones that accentuate a more lightly antiqued and functional central mirror. Security cleat hanging hardware allows for horizontal and vertical display. finish will vary.

APPEARANCE

Material	Iron, Mirror
Finish	Antiqued Mirror, Speckled Antique Mirror
Finish Will Vary	true
Top Coat/Sealant	false

DIMENSIONS

Mirror Size	H: 19 IN, W: 16 IN
-------------	--------------------

SHIPPING

Shipping Requirements	TruckShip
Product Weight	30 LBS
Gross Weight 1	49.6 LBS
Shipping Box 1	H: 10 IN, L: 41 IN, W: 37 IN

ADDITIONAL INFO

Features	T-Screw Hardware Included
Hanger Position	Vertical & Horizontal
Hanger Type	Security Cleat
Hanger Size	

CONTRACT

Contract Suitable	true
-------------------	------