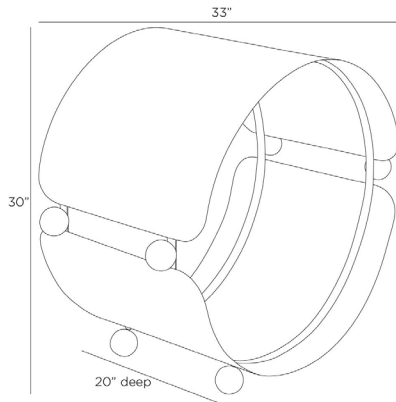


ARTERIOS

CANNON LOG HOLDER



AFI05
H: 30 IN, W: 33 IN, D: 20 IN
Blackened Iron
Contract Suitable As Is

A traditional log holder is updated in hammered, blackened iron. Its oversized circular profile acts as enclosed storage, while contrasting spacers of sienna marble add an element of surprise. Finished with marble feet, its modernist silhouette is a work of functional art for any hearth. Finish will vary.

APPEARANCE

Material	Iron, Marble
Material Type	Hammered
Finish	Sienna
Finish Will Vary	true
Top Coat/Sealant	true

DIMENSIONS

Foot Print	W: 16 IN, D: 15.5 IN
Opening	H: 28.5, W: 27.5, Dia: 27.50, D: 20

SHIPPING

Product Weight	44.5 LBS
Gross Weight 1	61.5 LBS
Shipping Box 1	H: 24 IN, L: 33 IN, W: 33 IN

CONTRACT

Contract Suitable	true
-------------------	------