

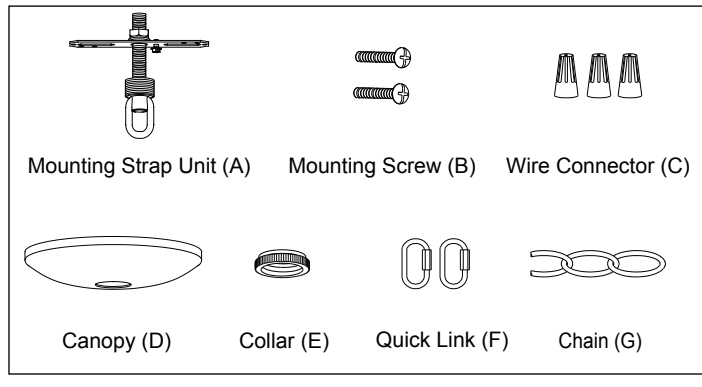
ASSEMBLY AND INSTALLATION INSTRUCTIONS

T0671

WARNING: TO AVOID RISK OF ELECTRICAL SHOCK, BE SURE TO SHUT OFF POWER WHILE INSTALLING OR SERVICING THIS FIXTURE.

NOTE: 1. Before installing, consult local electrical codes for wiring and grounding requirements.
2. READ AND SAVE THESE INSTRUCTIONS.

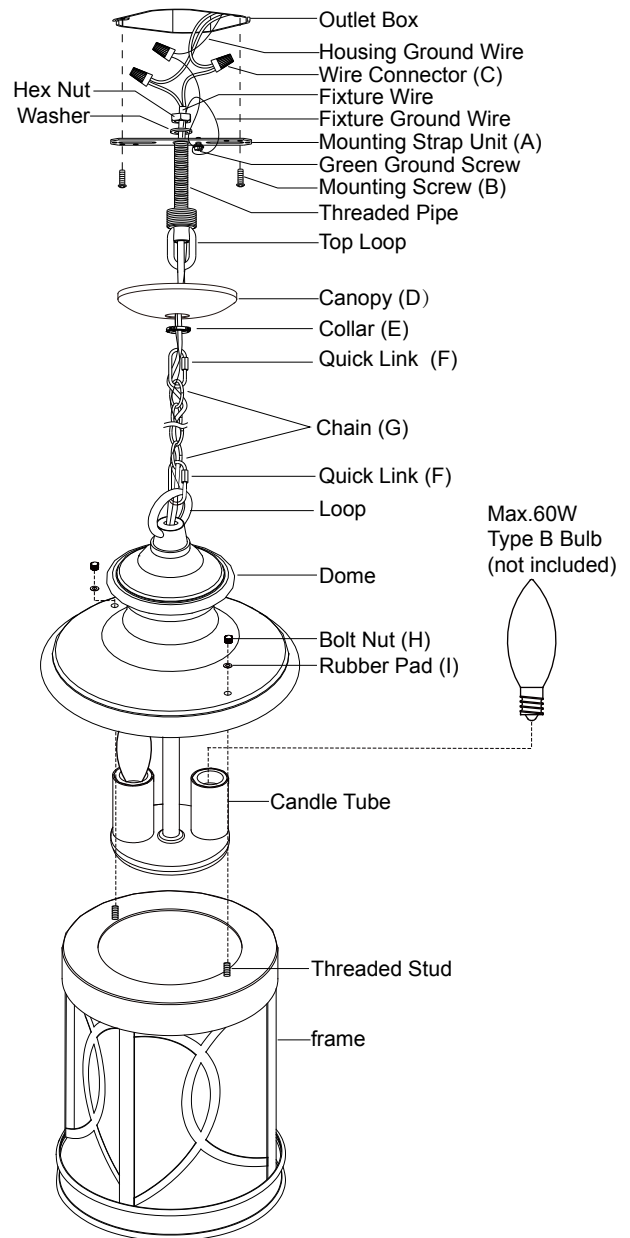
Hardware Package(inculded):



Installation Steps

Turn off the power at fuse or circuit box.

- Remove the collar (E) from the mounting strap unit (A). Attach the mounting strap unit (A) to outlet box by using two mounting screws (B).
- Unscrew the two bolt nuts (H). Remove the two rubber pads (I) and the frame from the dome of the fixture.
- Connect the chain (G):
 - Determine length of chain (G) needed to achieve desired fixture height. (To remove excess chain section, use plier to bend link open.)
 - Weave the fixture wires through the chain (G), collar (E) and canopy (D).
 - Connect one chain (G) to the loop and the top loop on the mounting strap unit (A) using the two quick links (F).
 - Thread the fixture wire and fixture ground wire through the threaded pipe on the mounting strap unit (A).
- Pull out the source wires from the outlet box. Make wire connections using wire connectors (C) as follows:
 - Connect the smooth-coated wire (marked) from the fixture to the black wire (hot) from the power source.
 - Connect the ribbed-coated wire (unmarked) from the fixture to the white wire (neutral) from the power source.
 - Attach the fixture ground wire (bare wire) to the mounting strap unit (A) with the green ground screw. Then, depending on local code, connect it to the house ground wire with a wire connector (C).
 Carefully put all of the wires back into the outlet box.
- Attach the canopy (D) to the mounting strap unit (A) by inserting the top loop into the hole of canopy (D), then secure with the collar (E).



6. Install 2 x 60W candelabra base bulb (not included). See relamping label at socket area or packaging for maximum wattage allowed.

7. Attach the dome to the frame by aligning and inserting the two threaded studs from the frame into the open holes on the dome, then place the two rubber pads (I) over the exposed threaded studs before screwing on the two bolt nuts (H).

Turn on the power at fuse or circuit box.

The following parts are available for re-order if damaged or missing.

Spare Parts List:

The diagram shows a collection of spare parts for the lantern. It is organized into two main boxes. The top box contains: a Mounting Strap Unit (A), two Mounting Screws (B), three Wire Connectors (C), a Canopy (D), a Collar (E), two Quick Links (F), and a Chain (G). An arrow points from this box to 'Assembly Kit 4364MM (1 SET)'. The bottom box contains: two Bolt Nuts (H) and two Rubber Pads (I). An arrow points from this box to 'Assembly Kit 4372BB'. To the right of the bottom box is a Glass Panel (9244S).

Assembly Kit 4364MM (1 SET)

Assembly Kit 4372BB

Glass Panel 9244S

