

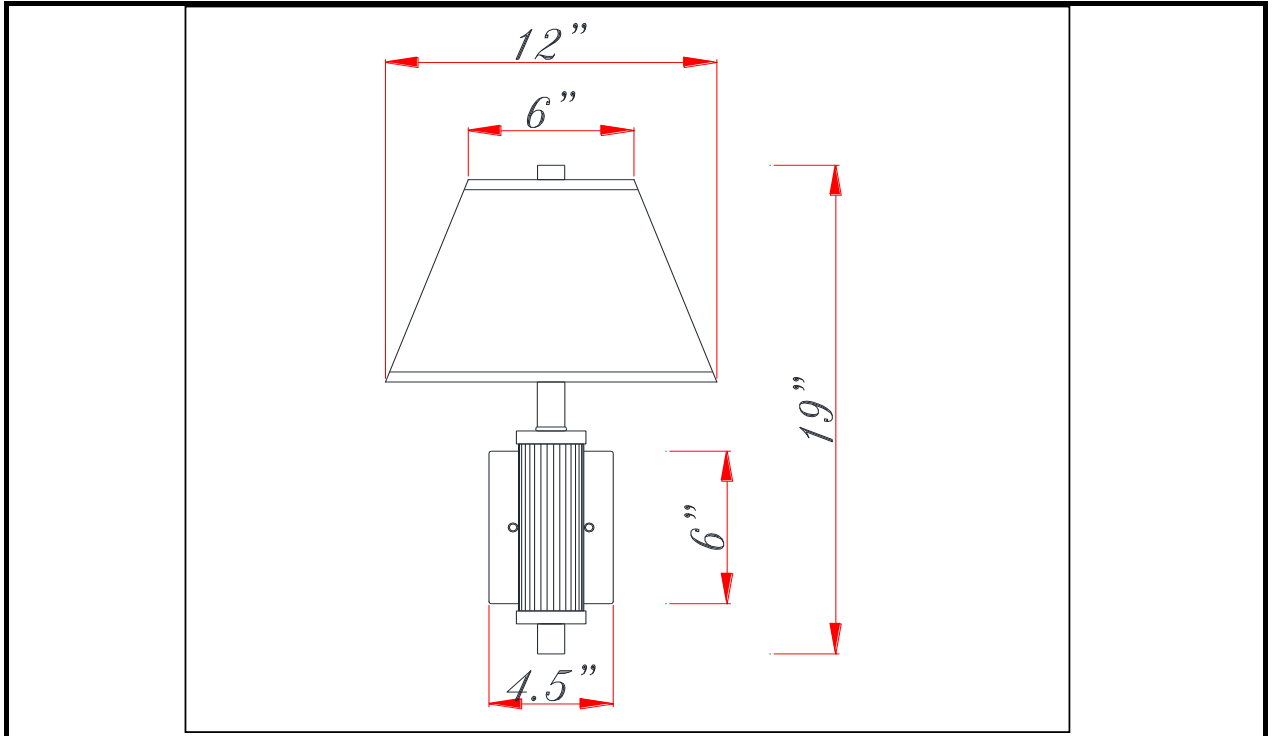


# CAL LIGHTING

3625 E. Philadelphia St. Ontario CA. 91761 • Tel: 909.947.5200 • Fax:  
909.947.5673 • www.calighting.com • service@calighting.com • Specifications  
subject to change without notice

Type: \_\_\_\_\_  
Project: \_\_\_\_\_  
Catalog No.: \_\_\_\_\_  
Lamp/Wattage: \_\_\_\_\_

Drawing:



**Model No:** LA-8003WL-1CH  
**Description:** 60W Metal wall lamp with on-off push button switch  
**Material:** METAL  
**Finish :** Chrome  
**Height:** 19"  
**Base Width:** 6"x4.5"  
**Harp Size:** 7"  
**Wattage :** 60W  
**Socket :** Medium Base (E26)  
**Switch:** On-off push button switch  
**Bulb:** Incandescent, CFL  
**Power Outlet:** None  
**Ethernet Jack:** None  
**Cord:** SPT2  
**Cord Length:** None  
**Cord Color:** Black  
**Shade No:** SH-1333  
**Material:** Fabric  
**Shade size:** 6"X12"X8.5"

**Certificate :**

