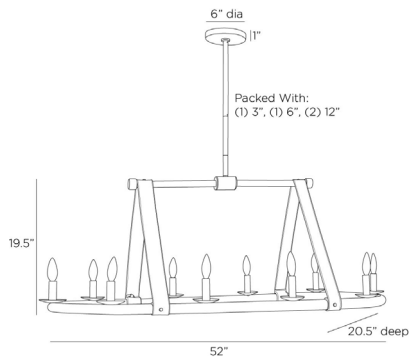


# ARTERIOS

## ENGLEWOOD LINEAR CHANDELIER



DRI02  
H: 23.5 IN, W: 52 IN, D: 20.5 IN  
Antique Brass  
Contract Suitable As Is

Sturdy leather straps in a moss hue give this linear fixture an equestrian modern vibe. Suspended from an iron frame plated in antique brass, they hold an oval frame punctuated by ten candle-like bulbs. Finish will vary.

### APPEARANCE

Material	Iron, Leather
Finish	Moss
Finish Will Vary	true
Top Coat/Sealant	true

### DIMENSIONS

Chandelier	H: 19.5 IN, W: 52 IN, D: 20.5 IN
Minimum Hanging Height	23.5 IN
Maximum Hanging Height	53.5 IN
Canopy	H: 1 IN, Dia: 6.00 IN

### WIRING

Rating	Damp
Suggested Bulb Type	B10
Cord	10 FT, Black, SVT
Socket	10, Type B - E12
Photographed Bulb	Clear Straight Tip Candelabra Bulb
Maximum Watt	40
Voltage	110-120 V

### COMPLIANCY

RoHS	true
------	------

### SHIPPING

Shipping Requirements	TruckShip
Product Weight	16.1 LBS
Gross Weight 1	23 LBS
Shipping Box 1	H: 9.2 IN, L: 58 IN, W: 28 IN

### REPLACEMENT PARTS

Replacement Part 1	PIPE-247
Replacement Part 1 Dim	(1) 3", (1) 6", (1) 12"
Replacement Part 2	CANOPY-619
Replacement Part 2 Dim	1" X 5"

### CONTRACT

Contract Suitable	true
-------------------	------