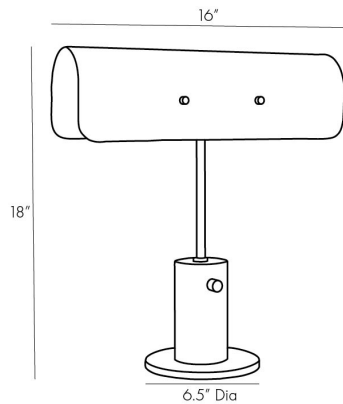


ARTERIOS

BEND LAMP

WORKSHOP



DA49010

H: 18 IN, W: 16 IN, D: 6.5 IN

Blackened Steel, Smoke Luster Glass

Contract Suitable As Is

The Bend Lamp reinterprets the classic library lamp, with a half cylinder smoke glass shade and modern blackened steel base. This beautifully proportioned design casts appealing, textured shadows through its rippled glass shade, creating a fresh, modern take on traditional lighting. Available in silvery grey Smoke or warm Amber glass.

APPEARANCE

Material	Glass, Steel
Finish	Blackened Steel, Smoke
Top Coat/Sealant	false

DIMENSIONS

Base	H: 0.25 IN, Dia: 6.50 IN
Foot Print	Dia: 6.50 IN

WIRING

Rating	Indoor Only
Tilt Test	10 Degrees - AU
Cord	8 FT, Back of Lamp Base, Black Cloth, SPT-2
Socket	2, Bronze, Type B - E12
Switch	At Base, Full Range Dimmer
Photographed Bulb	Frosted Globe Bulb
Maximum Watt	60
Voltage	110-120 V

CERTIFICATIONS

Certifications	Mexico Australia, United States, Canada
----------------	--

COMPLIANCY

UL/ETL	Yes
RoHS	true

SHIPPING

Product Weight	7 LBS
Gross Weight 1	6.1 LBS
Gross Weight 2	2.8 LBS
Shipping Box 1	H: 7.5 IN, L: 7.7 IN, W: 19 IN
Shipping Box 2	H: 8.6 IN, L: 8.6 IN, W: 18.3 IN

CONTRACT

Contract Suitable	true
-------------------	------