



# CAL LIGHTING

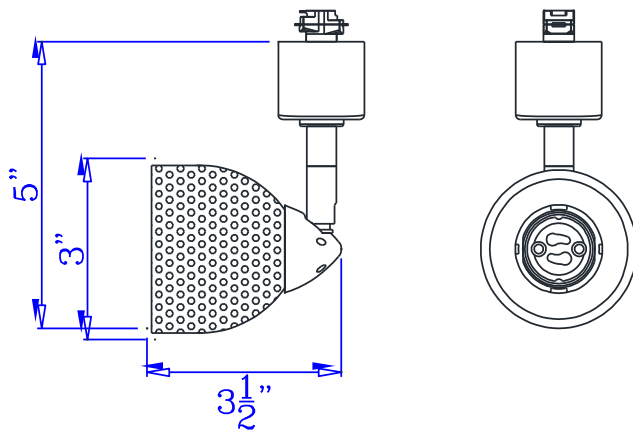
3625 E. Philadelphia St. Ontario CA. 91761 • Tel: 909.947.5200 • Fax:  
909.947.5673 • www.calighting.com • service@calighting.com •  
Specifications subject to change without notice

Type: \_\_\_\_\_

Project: \_\_\_\_\_

Catalog No.: \_\_\_\_\_

Lamp/Wattage: \_\_\_\_\_



**Model No. :** HT-954

**Rotation :** 355 degree

**Capability :** +90 degree from horizontal

**Bulb :** GU10 (halogen)

**Socket :** GU10

**Voltage :** 120V

**Wattage :** 50W Max.

**Finish:** RU (Rust)

**Shade:** Metal

**Certificate :**  US