

SCHONBEK®

SCHONBEK IS A WORLD LEADER IN CHANDELIER DESIGN. PATENTS INCLUDE:
 #D292,620, #D335,362, #D335,546, #D335,716,
 #D335,720, #D336,537, #D338,082, #D389,264,
 #D338,278, #D339,879, #D345,815, #D373,441,
 #D374,102, #D374,103, #D374,498, #D382,077,
 #D393,325, #D397,495, #D397,494, #D403,101,
 #D435,686, #D454,973, #D454,974, #D455,224,
 #D456,940, #D463,602S, #D463,603S, #D464,769S,
 #D468,480, #2,651,806, #5,104,082, #5,109,325,
 #5,116,009, #5,144,541, #5,205,644, #5,222,805,
 #5,241,460, #5,255,173, #5,258,900, #5,285,364,
 #5,404,285, #5,460,269, #5,567,046, #5,567,468,
 #5,573,330, #5,577,838, #5,588,744, #5,873,652,
 #5,906,430, #5,921,668, #6,241,370B1 & #6,712,490B2

CHANDELIER 5799S TRIM DIAGRAM



THIS DESIGN IS THE PROPRIETARY TRADE DRESS/TRADemark OF SCHONBEK WORLDWIDE LIGHTING INC.

12 Lights
 Diameter: 24"
 Body Length: 28"

SCHONBEK®

This fixture was designed and manufactured in Plattsburgh, N.Y. Our high-quality crystal fixtures are made with state-of-the-art manufacturing equipment. If you have any questions about this or any of our more than 450 crystal products, contact your nearest authorized Schonbek distributor.

CAUTION... RISK OF ELECTRICAL SHOCK. Make sure the electrical supply to the chandelier is turned off at the main fuse or circuit breaker before doing any installation. All electrical components must be installed by a licensed electrician in accordance with the National Electric Code and the appropriate local electrical codes.

HANGING WEIGHT: 22-1/2 pounds.

BULBS: (12) Candle shaped candelabra base C10 bulbs, recommend 25 watts for best appearance.

60 - Watts Maximum

WARNING: This chandelier meets UL/CSA requirements. Any tampering will void UL/CSA certification.

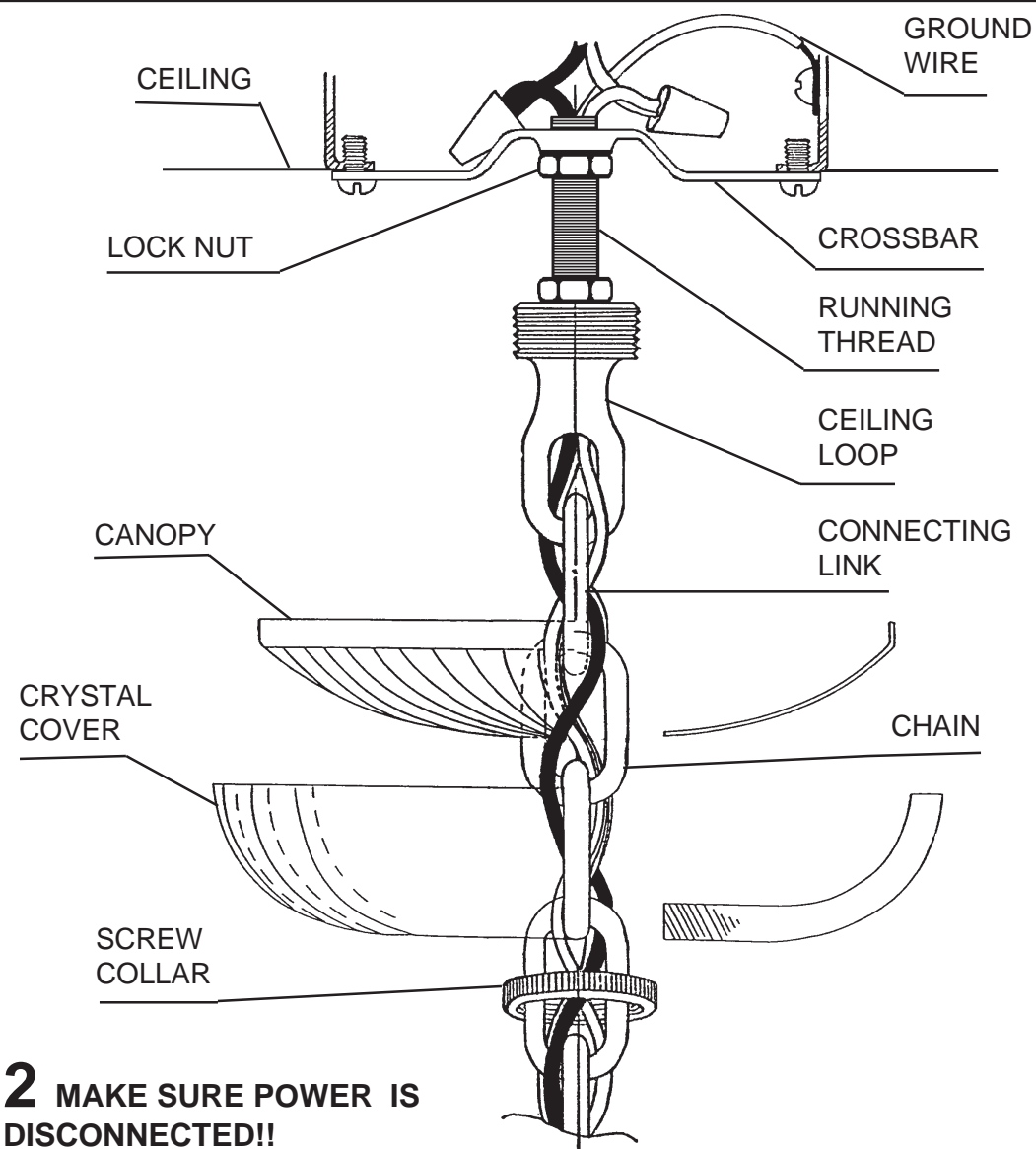
**Follow steps in exact order
 Save this trim diagram for future reference**

1

IMPORTANT

Person who opens carton should record the following information for future service.

CODE # _____ Four-digit number on outside of carton.
 PACKER # _____ See crystal package label.
 ORDER # _____ See crystal package label.



2 MAKE SURE POWER IS DISCONNECTED!!

3 Attach crossbar to outlet box.

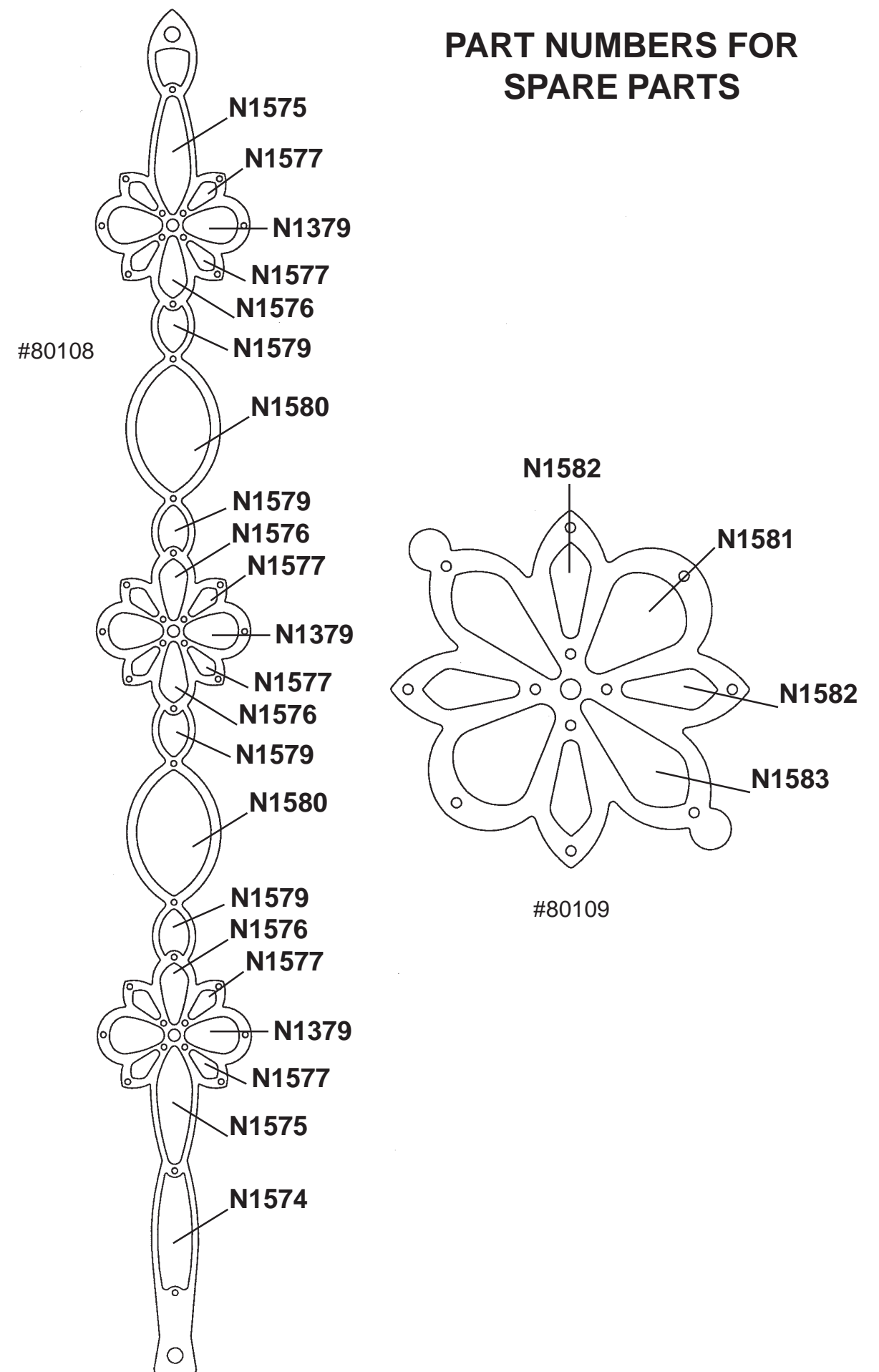
4 Slip screw collar, crystal cover and metal canopy over chain and then determine at what length the fixture is to be suspended. Join the required length of fixture chain to connecting link on stem of fixture and loop attached to ceiling canopy at other end.

5 Feed stem wires through chain, through loop at canopy end, and attach to power wires in outlet box. Fixture **MUST** be grounded.

6 Check distance from ceiling to loop to assure canopy assembly will be flush against ceiling.

7 Attach canopy to ceiling with screw collar, thereby retaining complete assembly against ceiling. Screw bulbs into all sockets. Test power to insure proper wiring before hanging trim from fixture.

PART NUMBERS FOR SPARE PARTS



Installation of Crystal "B"

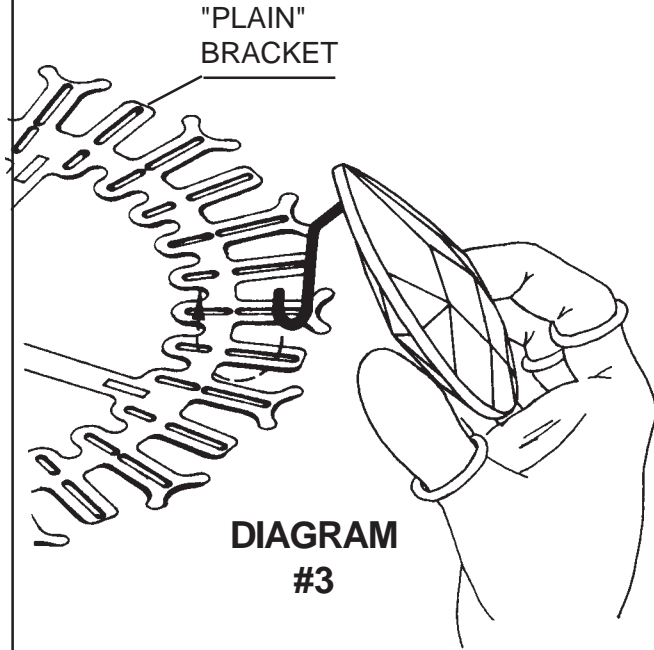


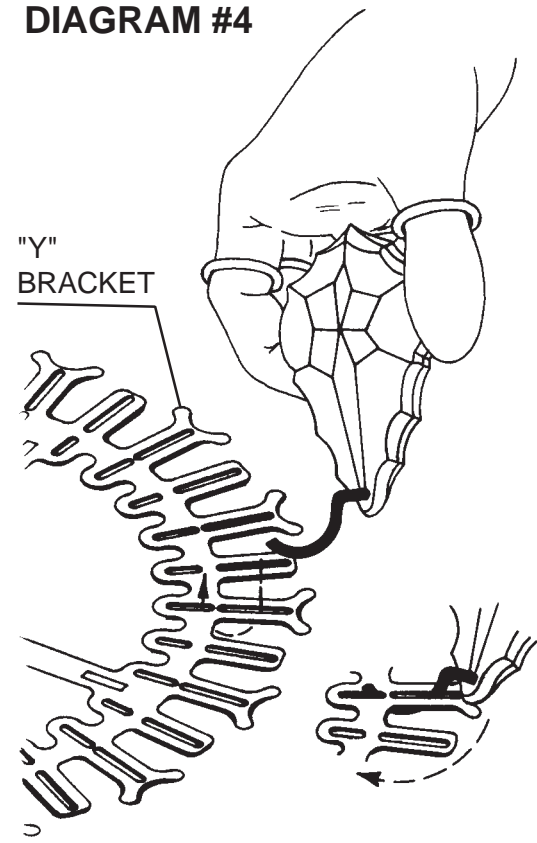
DIAGRAM #3

Position the crystal above the "plain" bracket so that the end of the hook enters the slot, gently push toward the center of the fixture and raise the crystal making sure that the end of the hook comes up through the inner slot, in line with the outer slot.

With the hook in the bracket, as shown, pivot the crystal downwards so that the hook rests in the end of the outer slot.



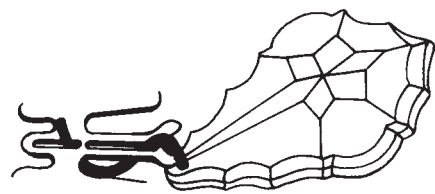
DIAGRAM #4



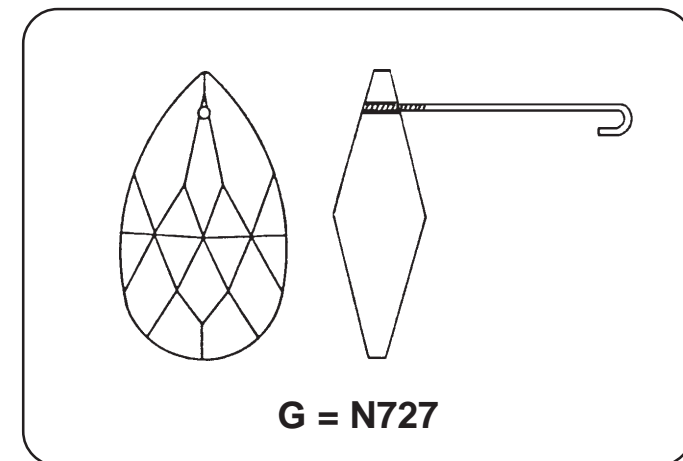
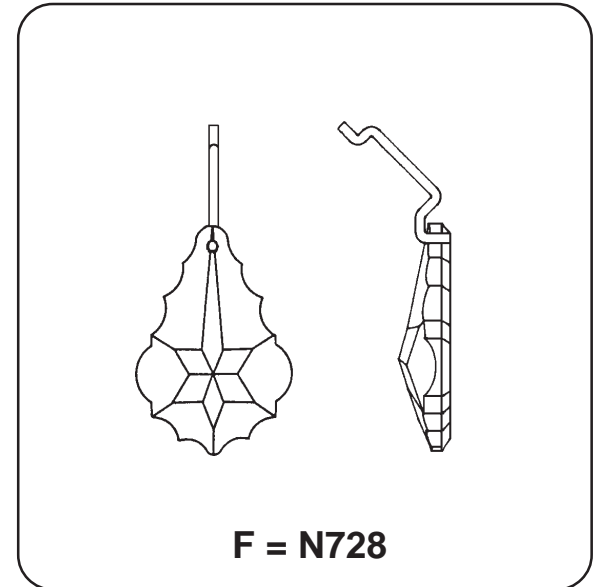
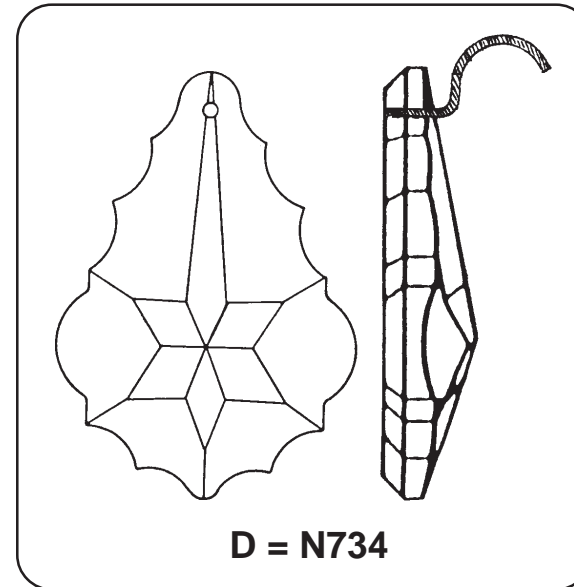
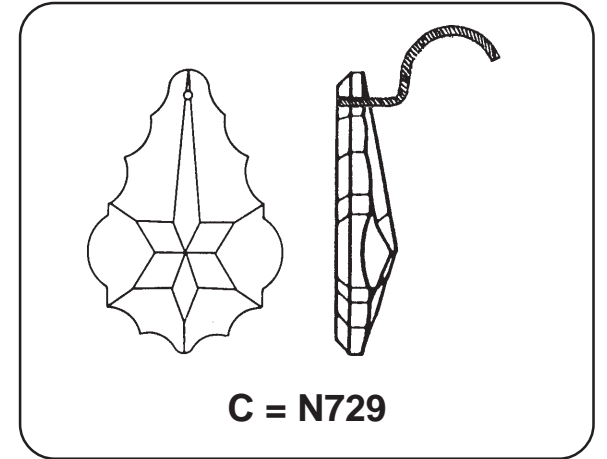
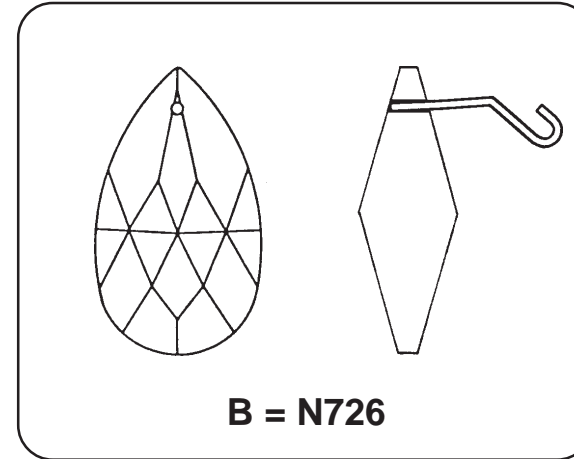
Installation of Crystal "C" and "D"

Position the crystal above the "Y" bracket so that the end of the hook enters the long slot, gently push toward the center of the fixture and raise the crystal making sure that the end of the hook comes up through the short slot, in line with the long slot.

With the hook in the bracket, as shown, pivot the crystal downwards so that the hook rests in the end of the long slot.



TRIM ID SHEET FOR ORDERING SPARE PARTS. PLEASE SAVE FOR CLEANING FIXTURE!



8 Hook Crystal "B" into the "plain" bracket of ring #1. See diagram #3 on page 6.

Hook small Crystal "C" into every second "Y" bracket of ring #1. See diagram #4 on page 6. Hook large Crystal "D" into the remaining "Y" brackets on the ring #1. See diagram #4 on page 6.

9 Screw finial assembly onto bottom of chandelier. Hook Crystal Chain "E" (large crystal towards top) into the ring #3. Hook Crystal "F" into the lexan washer on the finial assembly. See diagram #1 for detailed instructions.

10 Hook the bottom of Chains "E" into the lexan washer. Close bottom hook after inserting into lexan washer.

11 Hook Crystal "G" into the back slot of the "Y" bracket of ring #2. See diagram #2 for detailed instructions.

Hook Crystal "B" into the "plain" bracket of ring #2. See diagram #3 on page 6.

Hook small Crystal "C" into every second "Y" bracket of ring #2. See diagram #4 on page 6. Hook large Crystal "D" into the remaining "Y" brackets of ring #2. See diagram #4 on page 6.

