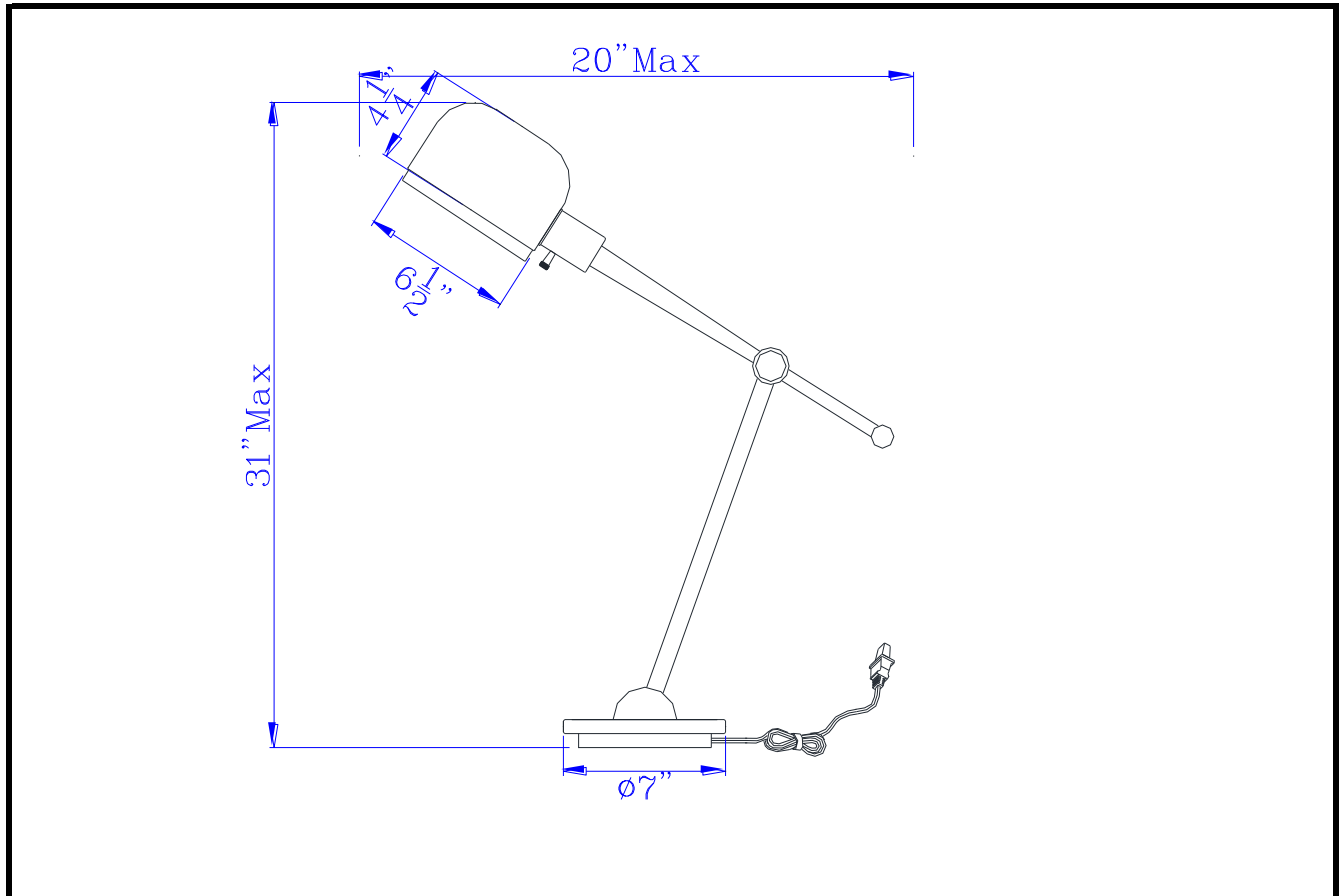




# CAL LIGHTING

3625 E. Philadelphia St. Ontario CA. 91761 • Tel: 909.947.5200 • Fax:  
909.947.5673 • www.calighting.com • service@calighting.com •  
Specifications subject to change without notice

Type: \_\_\_\_\_  
Project: \_\_\_\_\_  
Catalog No.: \_\_\_\_\_  
Lamp/Wattage: \_\_\_\_\_



- Model No:** BO-2765DK
- Description:** 60W Allendale metal desk lamp with marble base and metal shade
- Material:** Metal
- Finish :** DB (Dark Bronze)
- Height:** 31"
- Reach/Depth:** 20"
- Base Width:** Dia.7"
- Wattage :** 60W
- Socket :** Medium Base (E26)
- Switch:** On/Off
- Bulb:** Incandescent, CFL
- Wire Length:** 6'
- Shade No:**
- Material:** Metal
- Shade size:** Dia.6 1/2" H:4 1/4"

**Certificate :** 