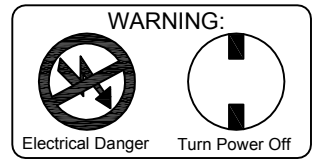
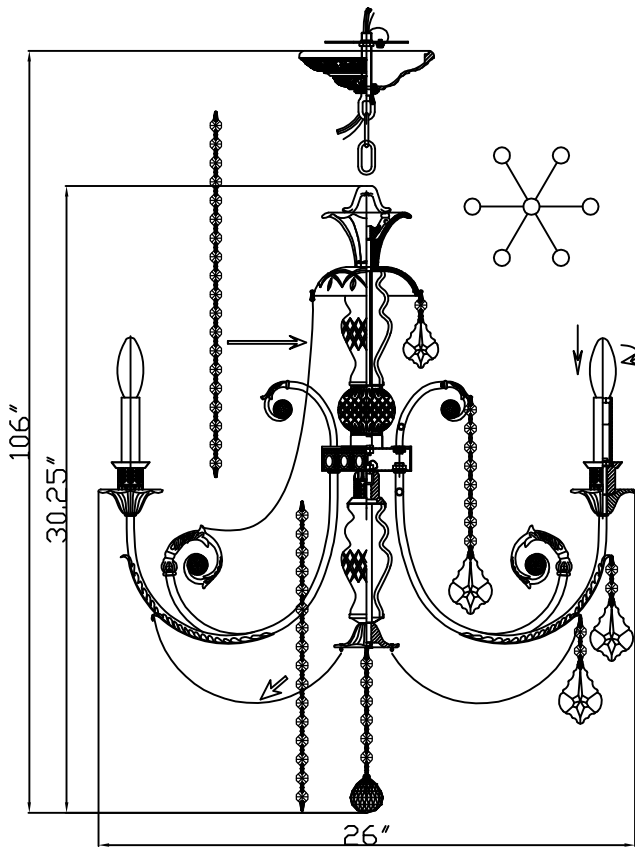


CRYSTORAMA

LIGHTING THE WAY FOR SIXTY YEARS

ASSEMBLY INSTRUCTION MODEL #5116-EB-CL-MWP



All electrical components must be installed by a licensed electrician in accordance with the National Electric Code and the appropriate local electrical codes.



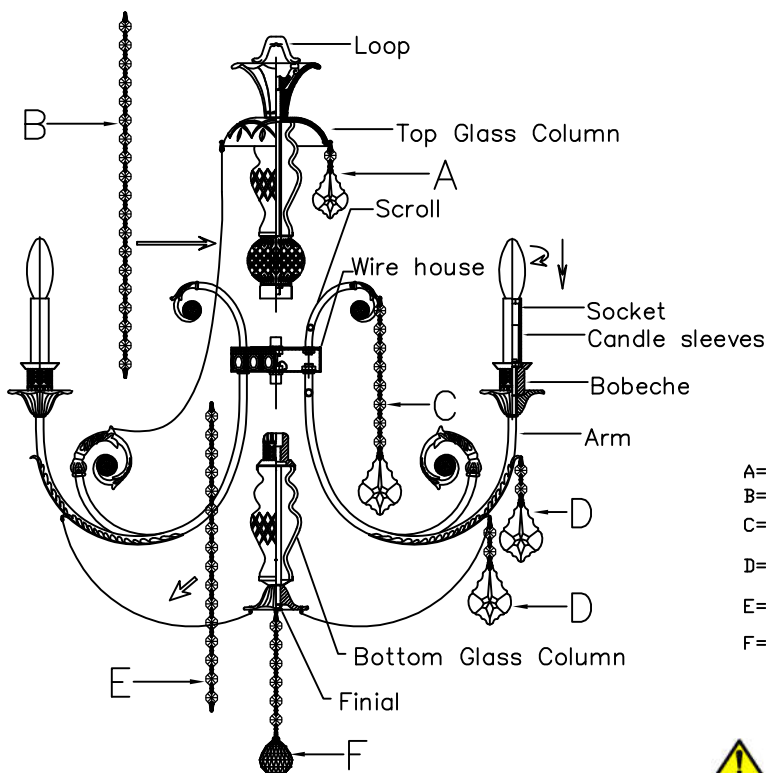
You will need 6 - Cand. Bulb
40 Watts Recommended
60 Watts Max

USE LED BULBS FOR EXTENDED USE

This fixture is damp rated

How to Install

1. Do a complete inventory of all parts and components before you start installing.
2. Feed the wire through top glass column, secure top glass column with the loop. Then attach the bottom glass column onto the body.
3. After safely attaching the fixture into outlet box, install bulbs (not included) and proceed to connecting the power.
4. IMPORTANT Apply crystal sets in alphabetical order.



Crystal sets

- A= 6 pieces. (1)14mm+(1)62mm.
- B= 6 pieces. (19)14mm.
- C= 6 pieces. (8)14mm +(1)76mm.
- D= 12 pieces. (2)14mm +(1)76mm.
- E= 6 pieces. (16)14mm.
- F= 1 piece. (6)14mm +(1)40mm.

- A= (14mmX1+62mm)X6Sets
- B= (14mmX19)X6Sets
- C= (14mmX8+76mm)X6Sets
- D= (14mmX2+76mm)X12Sets
- E= (14mmX16)X6Sets
- F= (14mmX6+40mm ball)X1Set

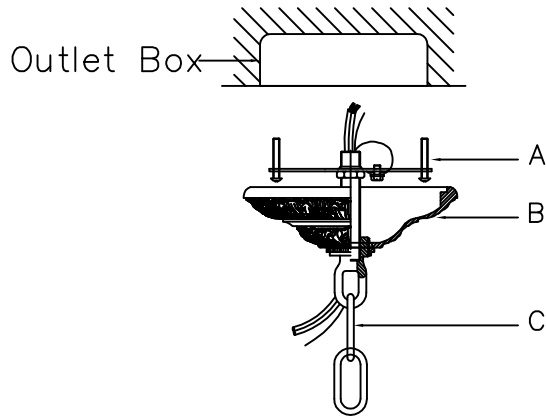


WARNING: This product can expose you to Lead, which is known to the State of California to cause cancer and/or birth defects or reproductive harm. For more information go to www.P65Warnings.ca.gov

CRYST RAMA

LIGHTING THE WAY FOR SIXTY YEARS

PART NUMBER MODEL #5116-EB-CL-MWP



Part Number

Part Numbers

- A. (1)—Mounting hardware
- B. (1)—Canopy; W6.5"XH1.75"; XSU5116EBCAN6.5IN
- C. (1)—Chain; 72"; ϕ 4.0mm; XSU5114EBCHA4MM
- D. (1)—LOOP
- E. (1)—Top Glass Column
- F. (6)—Scroll
- G. (1)—Wire house
- H. (1)—Bottom Glass Column
- I. (1)—Finial; XSU5116EBFIN
- J. (6)—Socket
- K. (6)—Candle sleeves; ϕ 0.75"X3.25"; XSU5114EBCDL3.25IN
- L. (6)—Bobèche; XSU5114EBBOB
- M. (6)—Arm

