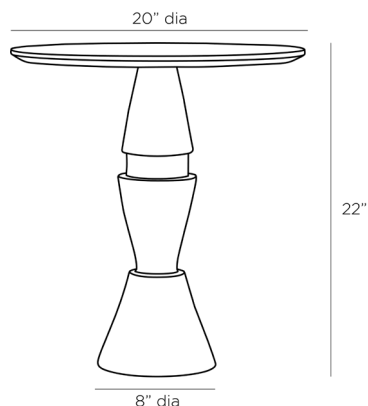


ARTERIOS

MOJAVE END TABLE



4647

H: 22 IN, Dia: 20.00 IN

Dune

Contract Recommendations: Not for use on carpets or rugs

Natural stone requires periodic sealing

The Mojave interprets modern desert design through material and form. This accent table is crafted completely of marble in a dune finish, full of sandy desert tones that sweep the surface. The turned pedestal base draws the eye with its unique totemic shape, while the smooth top delivers layers of variegated visual texture. Marble will vary.

APPEARANCE

Material	Marble
Finish	Dune
Finish Will Vary	true
Top Coat/Sealant	true

DIMENSIONS

Foot Print	Dia: 8.00 IN
Table Top	Dia: 20.00 IN
Clearance	21"
Diagonal Dimension	30 IN

SHIPPING

Shipping Requirements	TruckShip
Product Weight	50.7 LBS
Gross Weight 1	64.26 LBS
Shipping Box 1	H: 27 IN, L: 19 IN, W: 28 IN

CONTRACT

Contract Suitable	Natural stone requires periodic sealing, Not for use on carpets or rugs
-------------------	---