

INSTALLATION INSTRUCTIONS

KONSTRUKT - Silo

S2SA-2

KONSTRUKT
BY WAC

CAUTION: TO PREVENT ELECTRICAL SHOCK, ENSURE ELECTRICITY HAS BEEN TURNED OFF AT THE CIRCUIT BREAKER BEFORE BEGINNING.

- Read all instructions before installing.
- System is intended for installation by a licensed electrician in accordance with the National Electrical Code (NEC) and local regulations.
- When handling the fixture, do not apply pressure to the LEDs. Hold the fixture by the base only.
- Retain installation instructions for future maintenance reference.
- KONSTRUKT fixtures and channels feature separate data and power conductor systems. During installation and use, do not short the data or power conductors together by any means or damage may occur.

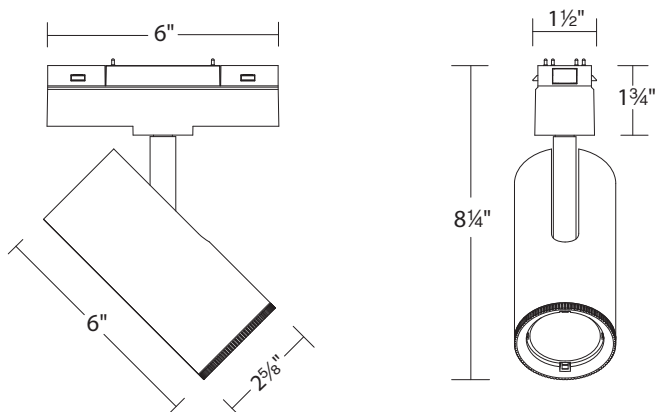
WARNING: All parts must be used as indicated in these instructions. This product is designed for use only with the supplied parts and/or accessories designated for use by WAC Lighting. Substitution of parts or accessories not designated for use with this product by WAC Lighting could result in personal injury or property damage, and will void the warranty. Contact an authorized dealer or the manufacturer if any parts are damaged or missing.

MISE EN GARDE: POUR ÉVITER TOUT CHOC ÉLECTRIQUE, ASSUREZ-VOUS QUE LE DISJONCTEUR SOIT MIS HORS TENSION AVANT DE COMMENCER.

- Lisez toutes les instructions avant l'installation.
- Le système doit être installé par un électricien licencié conformément au code national de l'électricité (NEC), et également aux règlements locaux.
- Lors de la manipulation du luminaire, n'appuyez pas sur les LED. Tenez-le uniquement par la base.

ATTENTION: Toutes les pièces doivent être utilisées comme indiqué dans ces instructions. Ce produit est conçu pour être utilisé seulement avec les pièces et/ou accessoires fournis pour être utilisés avec les produits WAC Lighting. Remplacer des pièces ou accessoires non conçus pour ce produit WAC Lighting pourrait causer des dommages corporels ou matériels et pourrait également causer l'annulation de la garantie. Veuillez contacter un revendeur autorisé ou le fabricant si des pièces manquent ou sont endommagées.

OVERALL FIXTURE DIMENSIONS



FIXTURE OVERVIEW

KONSTRUKT Silo is intended for use on WAC Lighting's KONSTRUKT Channel systems.

LED LUMINAIRE	KONSTRUKT SYSTEM
S2SA-2	48VDC KONSTRUKT System

SPECIFICATIONS	
Input:	48VDC
Installation:	KONSTRUKT System
Dimming:	Via KONSTRUKT Connected Power Unit. Refer to CPU Specifications.

wacighting.com

Phone (800) 526.2588

Fax (800) 526.2585

Headquarters, East Manufacturing Facility

44 Harbor Park Drive

Port Washington, NY 11050

South East Manufacturing Facility

1600 Distribution Ct

Lithia Springs, GA 30122

Central Manufacturing Facility

1700 South J Elmer Freeway, Ste 100

Cedar Hill, TX 75104

West Manufacturing Facility

1750 S Archibald Ave

Ontario, CA 91761

INSTALLATION INSTRUCTIONS

KONSTRUKT - Silo

S2SA-2

KONSTRUKT
BY WAC

PREPARATION:

1. Shut off the power at the circuit breaker and ensure adequate room to install the new fixture on the KONSTRUKT Channel system.
2. Carefully unpack your new fixture and lay out all the parts on a clear area. Be careful not to lose any parts necessary for installation.

FIXTURE INSTALLATION TO KONSTRUKT SYSTEM:

The fixture features a KONSTRUKT adapter for power and mechanical connection to the installed KONSTRUKT channel system.

1. This fixture may be installed into horizontally or vertically mounted KONSTRUKT channel systems. (See **FIG. 1**).
2. Fixtures are polarity agnostic, and may be installed in KONSTRUKT channel in either orientation. (See **FIG. 2**).
3. Insert the fixture into the channel slot. Ensure the fixture is parallel to the channel during installation. Push the fixture into the channel until fully secured. **NOTE:** Fixture adapters also feature magnets to aid in fixture locating. (See **FIG. 3**).
CAUTION: Prior to installation in channel, clear any debris from channel bus bar and fixture, particularly on magnetic surfaces. Any conductive elements have potential to cause electrical shorting resulting in damage.
4. Review connection, be sure both set of locking tabs are secured in channel prior to finishing installation.

FIG. 1

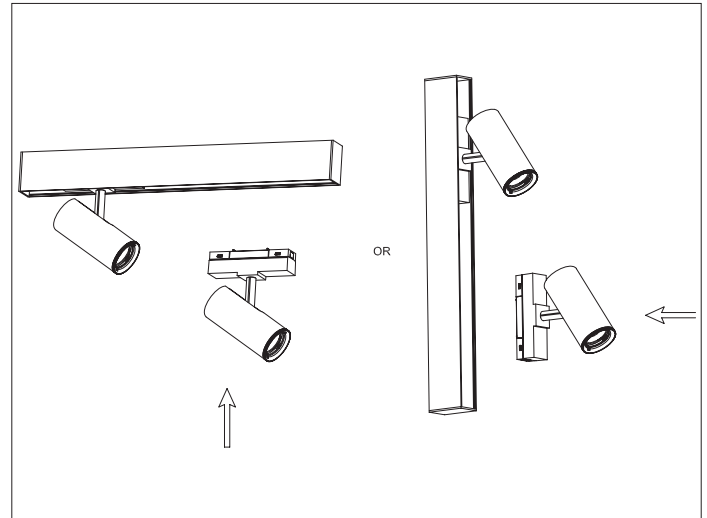


FIG. 2

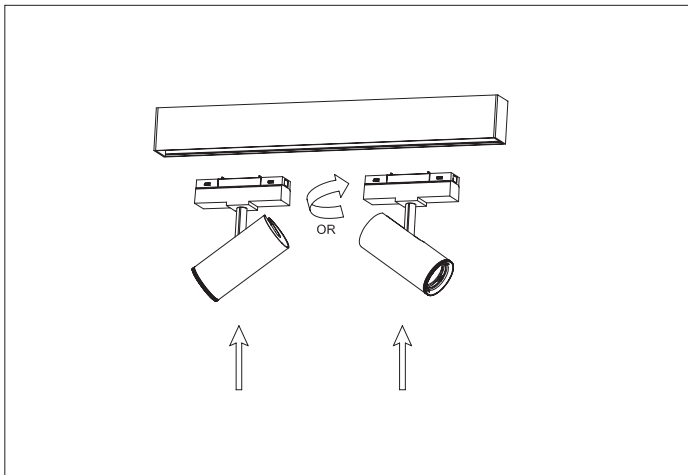
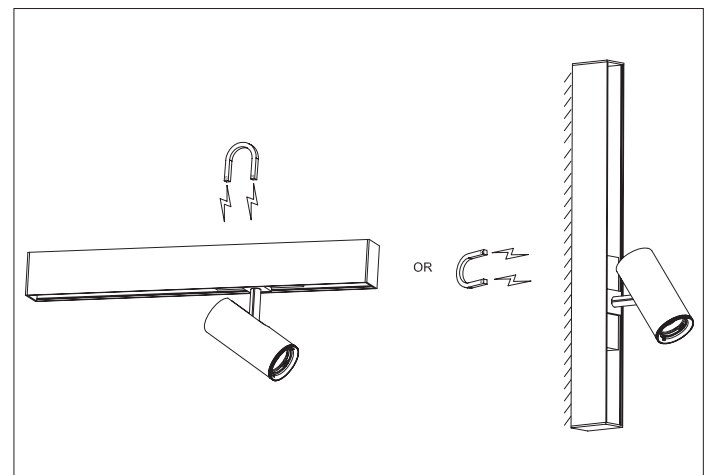


FIG. 3



wacighting.com

Phone (800) 526.2588

Fax (800) 526.2585

Headquarters, East Manufacturing Facility

44 Harbor Park Drive

Port Washington, NY 11050

South East Manufacturing Facility

1600 Distribution Ct

Lithia Springs, GA 30122

Central Manufacturing Facility

1700 South J Elmer Freeway, Ste 100

Cedar Hill, TX 75104

West Manufacturing Facility

1750 S Archibald Ave

Ontario, CA 91761

INSTALLATION INSTRUCTIONS

KONSTRUKT - Silo

S2SA-2

KONSTRUKT
BY WAC

RELOCATING THE FIXTURE IN CHANNEL:

While installed to the KONSTRUKT system, the fixture may be relocated.

1. By hand, relocate the fixture within a channel by pushing the adapter in the desired direction. (See **FIG. 4**).
2. Fixtures cannot be relocated between channels. It must be removed, repositioned, and then installed from one channel to another. (See **FIG. 5**).

FIG. 4

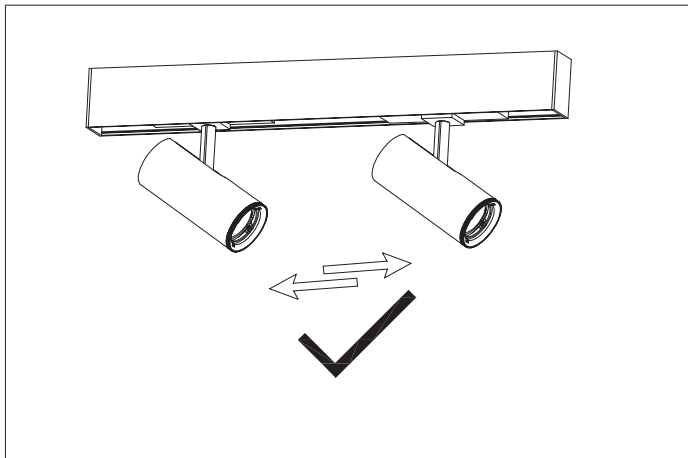
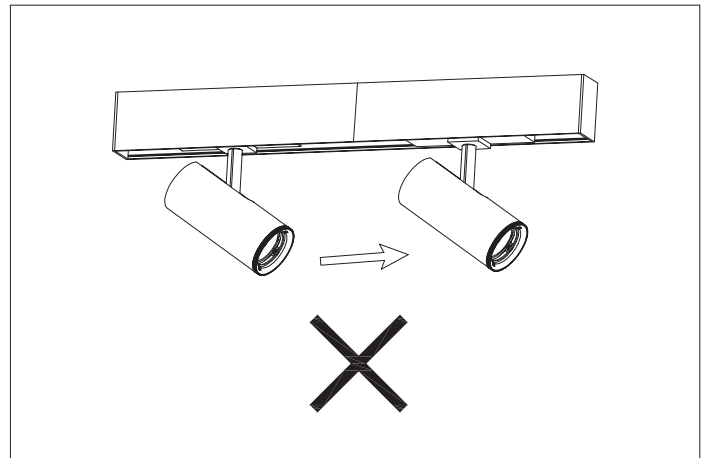


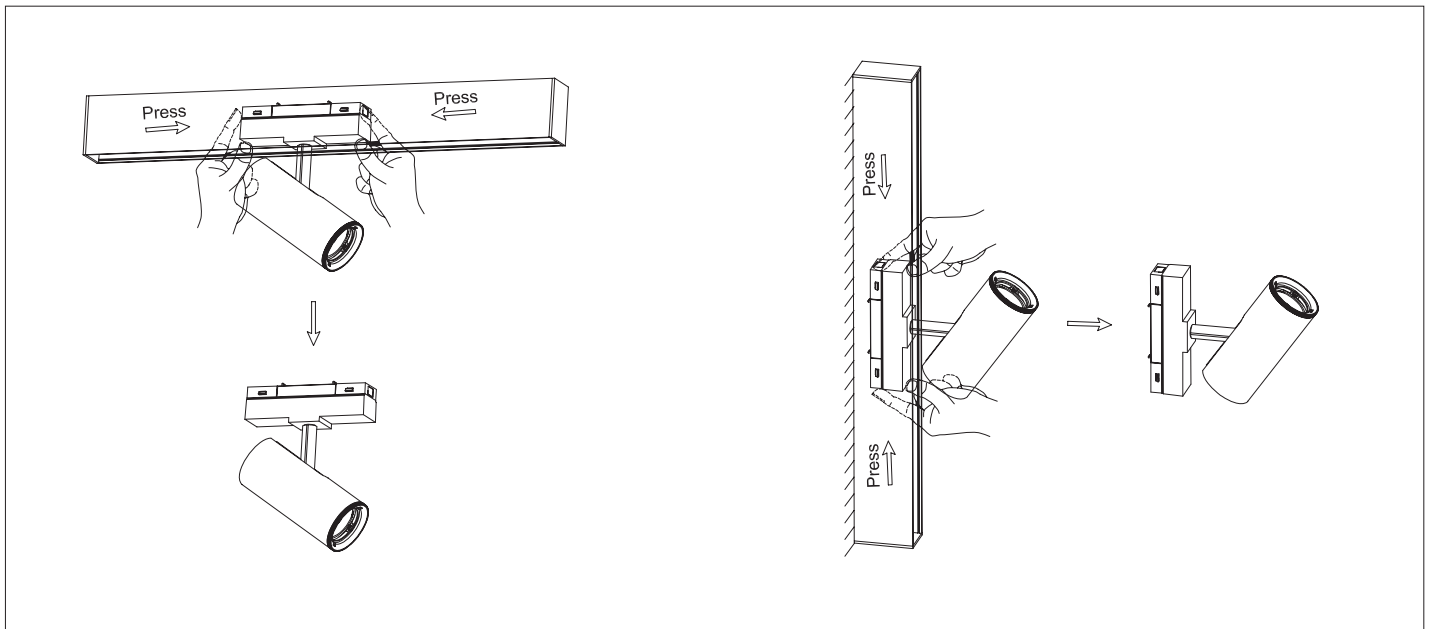
FIG. 5



REMOVING THE FIXTURE FROM THE CHANNEL:

1. By hand, engage and press push button on the adapter. With push button pressed, pull the fixture away from the channel, until it is clear of the channel (See **FIG. 6**).
NOTE: Ensure the adapter is parallel to the channel during removal. (See **FIG. 7**).
2. To enable fixture removal from channel, maintain free channel space of 1.5" on each side of adapter to enable access to releasing locking tabs.

FIG. 6



wacighting.com

Phone (800) 526.2588

Fax (800) 526.2585

Headquarters, East Manufacturing Facility

44 Harbor Park Drive

Port Washington, NY 11050

South East Manufacturing Facility

1600 Distribution Ct

Lithia Springs, GA 30122

Central Manufacturing Facility

1700 South J Elmer Freeway, Ste 100

Cedar Hill, TX 75104

West Manufacturing Facility

1750 S Archibald Ave

Ontario, CA 91761

INSTALLATION INSTRUCTIONS

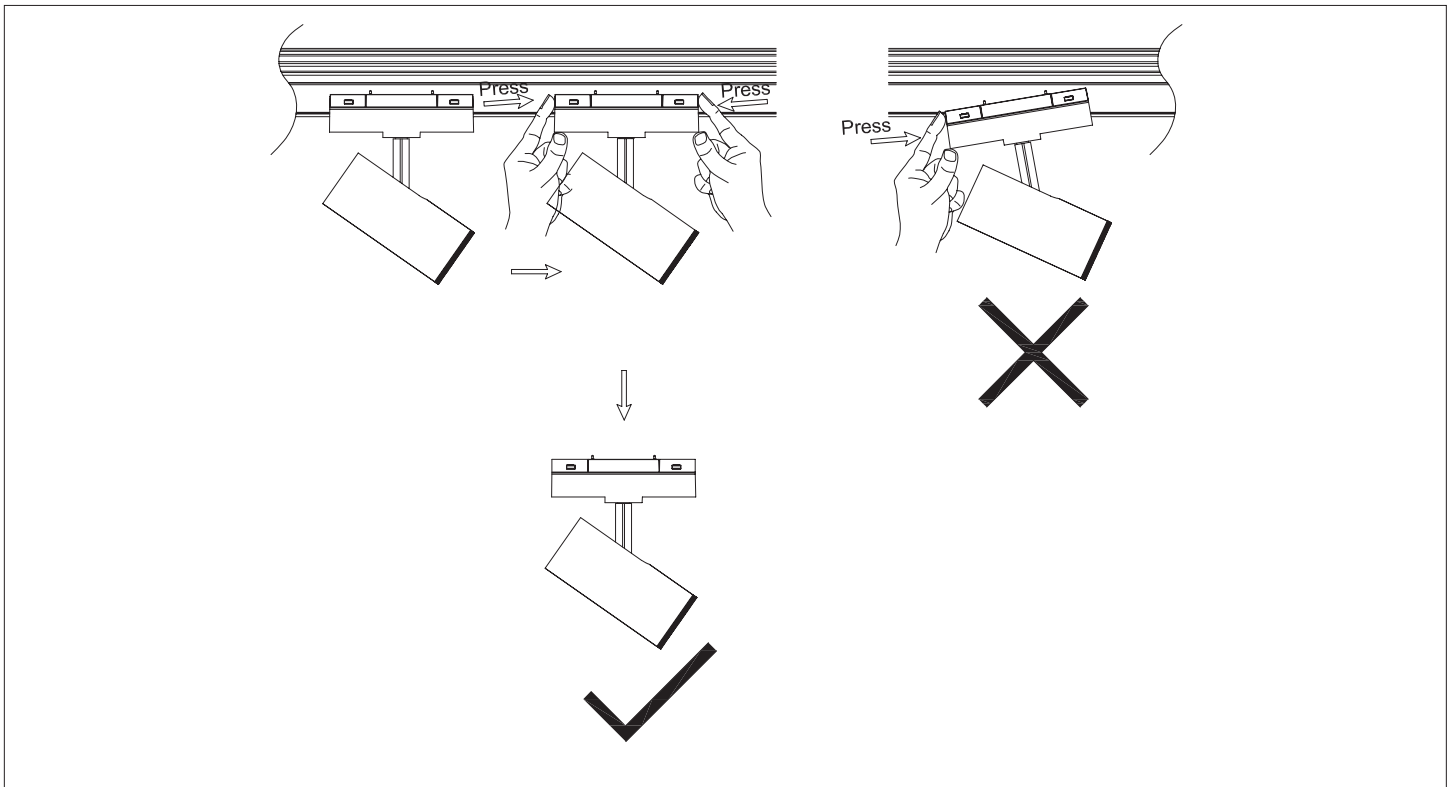
KONSTRUKT - Silo

S2SA-2

KONSTRUKT

BY WAC

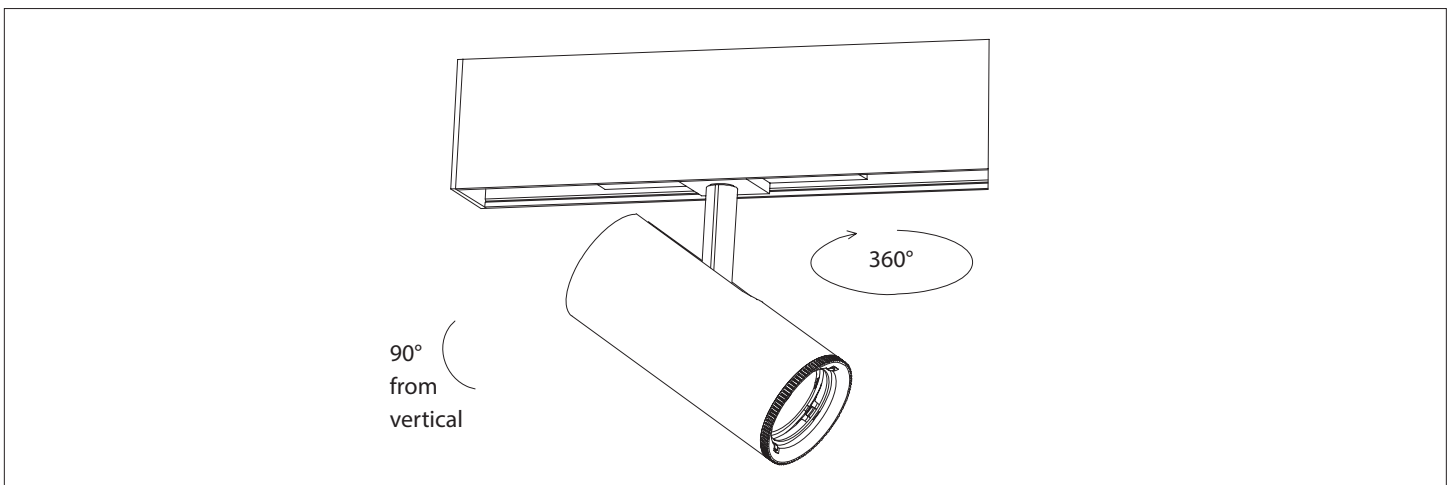
FIG. 7



FIXTURE AIMING AND ADJUSTMENT:

1. Rotate the luminaire's body horizontally or vertically to aim it properly. The fixture can rotate +90° vertically and 360° horizontally. (See FIG. 8)

FIG. 8



wacighting.com

Phone (800) 526.2588

Fax (800) 526.2585

Headquarters, East Manufacturing Facility

44 Harbor Park Drive

Port Washington, NY 11050

South East Manufacturing Facility

1600 Distribution Ct

Lithia Springs, GA 30122

Central Manufacturing Facility

1700 South J Elmer Freeway, Ste 100

Cedar Hill, TX 75104

West Manufacturing Facility

1750 S Archibald Ave

Ontario, CA 91761

INSTALLATION INSTRUCTIONS

KONSTRUKT - Silo

S2SA-2

KONSTRUKT
BY WAC

ACCESSORIES:

1. Fixture accommodates one lens and one glare control accessory. Glare control accessories install into front cap use the clips around the front cap to fasten them directly. Lens accessories installed behind the front cap. Refer to spec sheet for list of compatible accessories. (See **FIG. 9**)
2. To install lens accessories, it is necessary to remove the front cap. With fixture powered off and front cap facing toward you, rotate the front cap clockwise just passed the position you feel a "click"
3. Gently, while holding fixture body secure, rock front cap assembly back and forth while pulling it away from fixture body to remove front cap assembly (See **FIG. 10**)
4. Install glass lens on to clips on back side of front cap. (See **FIG. 11**)
5. Realign cap appropriately and reinstall. Be sure to rotate cap past lock position to confirm secure. (See **FIG. 12**)

FIG. 9

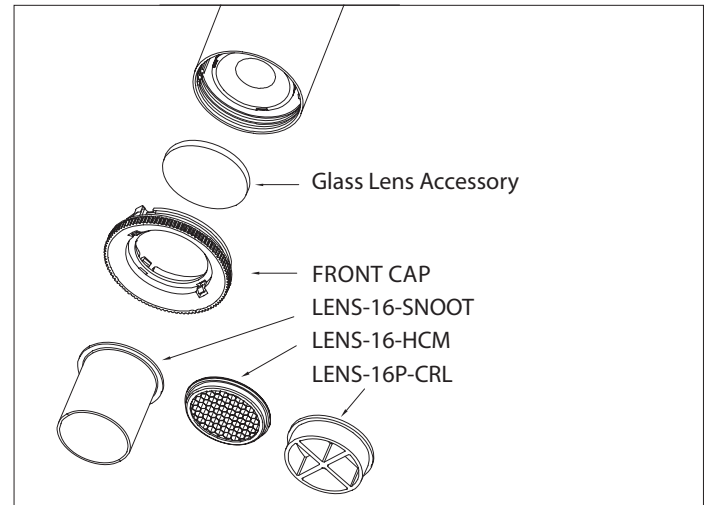


FIG. 10

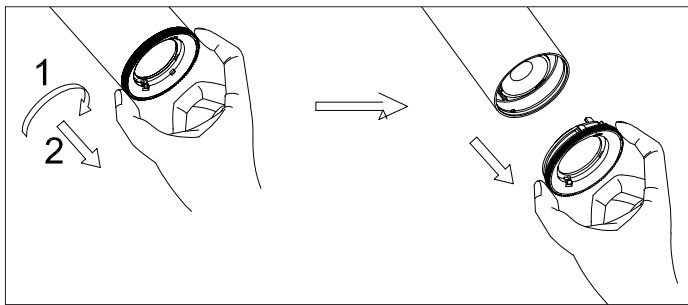


FIG. 11

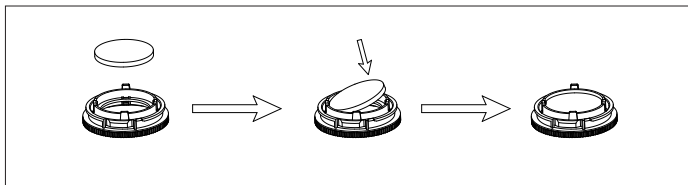
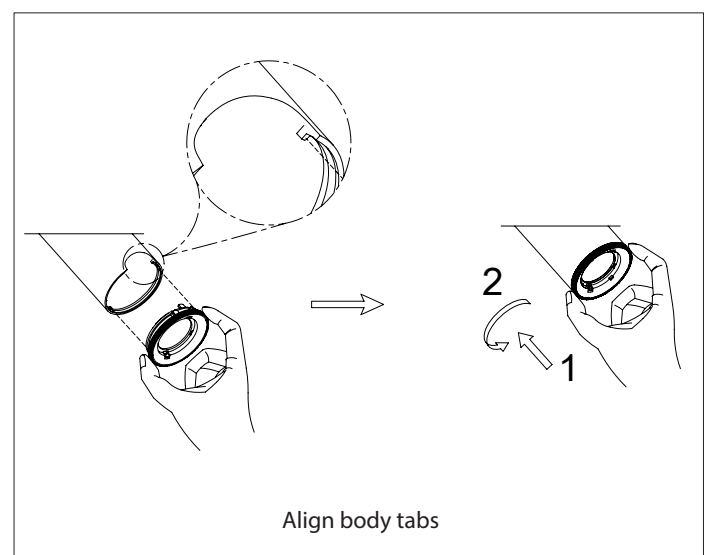


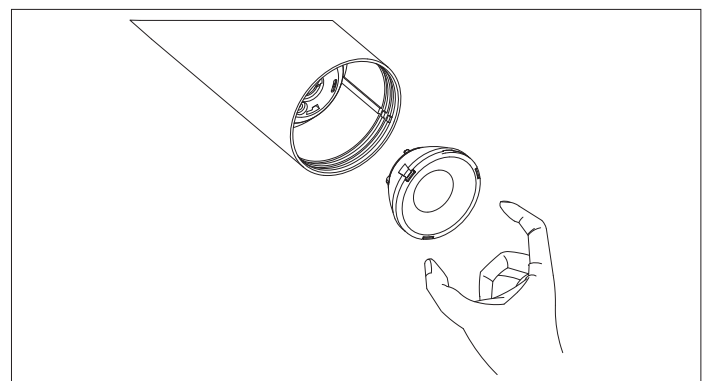
FIG. 12



REPLACEABLE OPTIC: (For N, F, W beams. S (spot beam) features a dedicated optic and is not interchangeable.)

1. Follow "Accessories" steps 1 and 2 to remove front cap.
2. Rotate the lens optic counter clockwise to remove. (See **FIG. 13**)
3. Reverse process to reinstall lens. Ensure to align lens base with LED holder when reassembling to confirm secure.

FIG. 13



wacighting.com

Phone (800) 526.2588

Fax (800) 526.2585

Headquarters, East Manufacturing Facility

44 Harbor Park Drive

Port Washington, NY 11050

South East Manufacturing Facility

1600 Distribution Ct

Lithia Springs, GA 30122

Central Manufacturing Facility

1700 South J Elmer Freeway, Ste 100

Cedar Hill, TX 75104

West Manufacturing Facility

1750 S Archibald Ave

Ontario, CA 91761