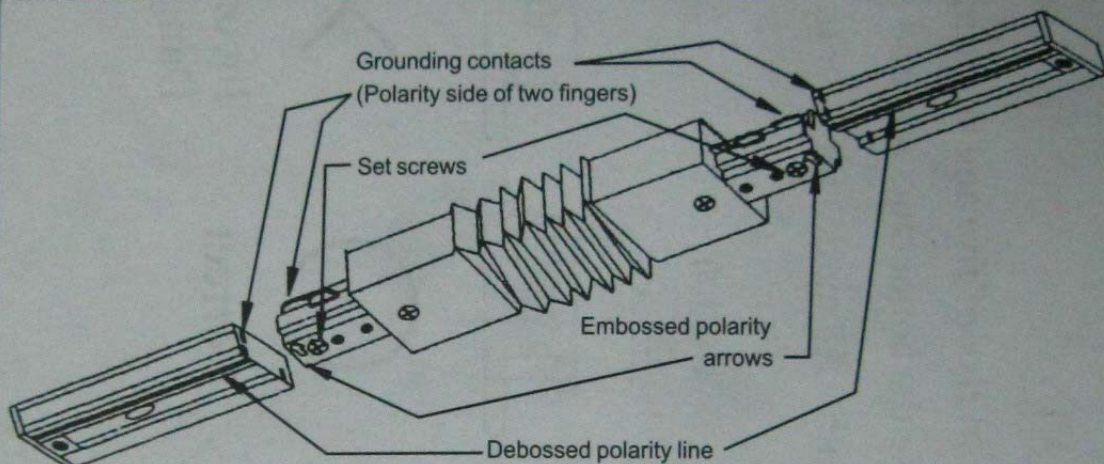


# INSTALLATION INSTRUCTIONS



## INSTALLATION INSTRUCTIONS-FLEXIBLE CONNECTOR

**TO JOINT TWO TRACK SECTIONS AT ANY ANGLE, TO 90° DEGREES. CAN BE USED FOR WALL TO CEILING INSTALLATION.**

**CAUTION**-Turn off switch at main power source before installing any track or fitting.

1. Loosen set screw and insert connector with Embossed Polarity Arrow (Polarity side of two fingers - Grounding contacts) pointing to Debossed Track Polarity line for proper installation.
2. Tighten set screw to lock to track. **NOTE:** Track ends must be terminated with either a dead end or a connector.

## SAVE THIS INSTRUCTIONS

**Warning:** To avoid the potential risk of fire and shorting, under any circumstances **should not** you use the connectors and end cap **without** busbar stoppers (Drawings below with "X" mark ) for your track system.

