

# ASSEMBLY INSTRUCTIONS

## ITEM DESCRIPTION:

ITEM NO.: DSC05	NAME:Raine Chandelier
MATERIAL TYPE: Glass	FINISH: Seedy Slump Glass
SOCKET TYPE: E12	SOCKET QTY: 7
BULB WATTAGE: 60W/13W CFL/8W LED	
VOLTAGE: 110-120 V	ITEM NET WEIGHT: 61.73 LBS

SEE NEXT PAGE FOR FIG

## PARTS INCLUDED:

Mounting Plate ( A )	Qty: 1 Pc	Sockets ( L )	Qty: 7 Pcs
Canopy ( B )	Qty: 1 Pc	Steel Rope ( M )	Qty: 1 Pc
Collar Loop ( C )	Qty: 1 Pc	Coupling ( N )	Qty: 1 Pc
Rods ( D )	Qty: 4 Pcs	Strengthen Screw ( O )	Qty: 1 Pc
Hex Screws ( E )	Qty: 9 Pcs	Bracket ( P )	Qty: 1 Pc
Lamp Body ( F )	Qty: 1 Pc	Bulb(not included) ( Q )	Qty: 7 Pcs
Metal bar ( G )	Qty: 1 Pc	Large glass ( S )	Qty: 31Pcs
Medium Metal Bar ( H )	Qty: 1 Pc	Medium glass ( U )	Qty: 31Pcs
Bottom Metal Bar ( L )	Qty: 1 Pc	Small glass ( V )	Qty: 31Pcs

## HARDWARE INCLUDED:

Mounting Screws ( J )	Qty: 2 Pcs
Plastic Wire Connector ( K )	Qty: 3 Pcs
Anchor ( R )	Qty: 2 Pcs
Allen Wrench ( T )	Qty: 1 Pc

## TO INSTALL YOU WILL NEED:

- 2 people recommended
- Phillips Screwdriver

These instructions are provided for safety. It is very important that they are read carefully and completely before beginning installation.

We strongly suggest that all hard-wired fixtures must be installed by a professional electrician.

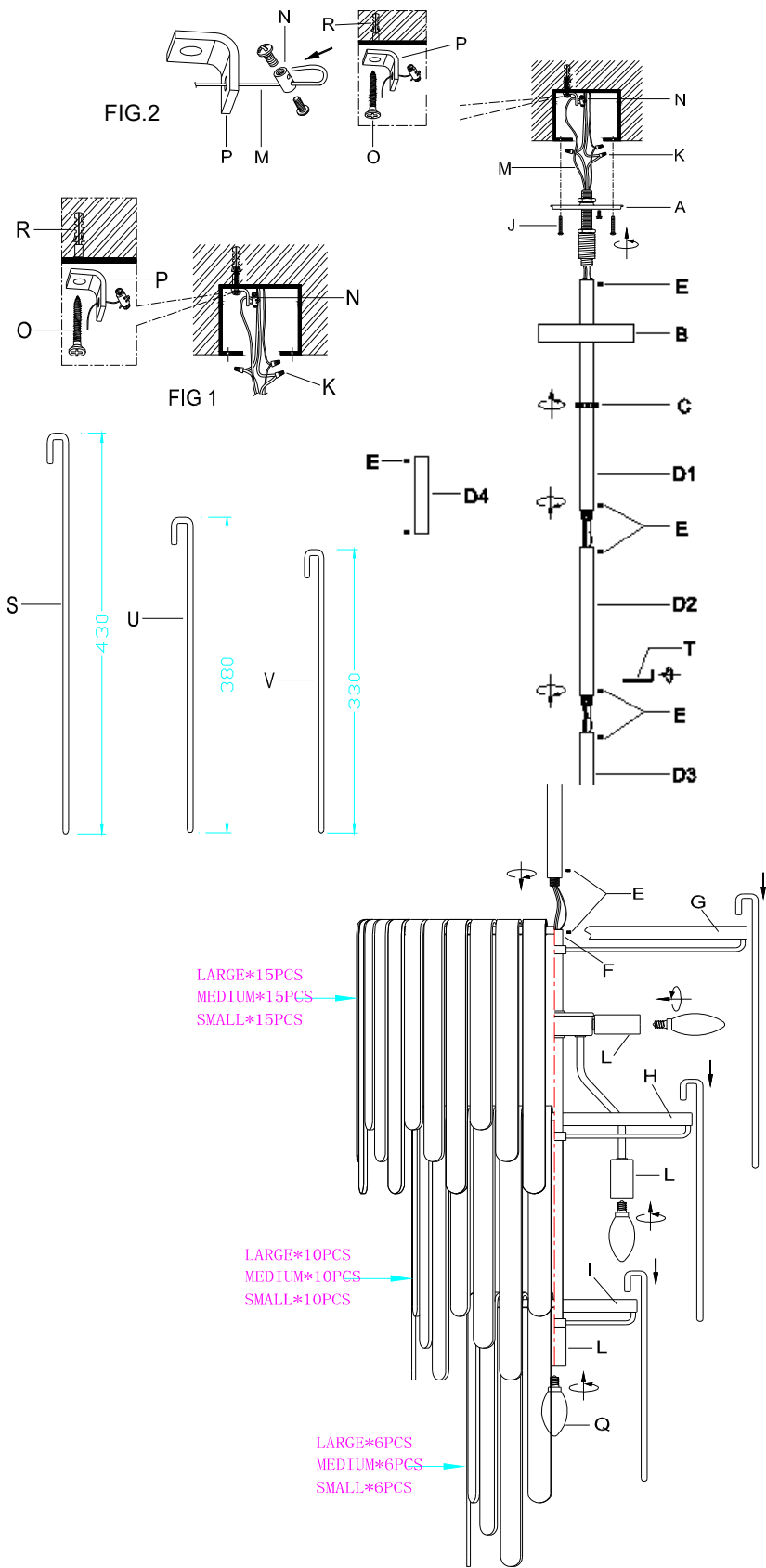


## TO ASSEMBLE:

1. Shut off the main electrical supply from the main fuse box/circuit breaker.
2. Carefully unpack all fixture parts and hardware and lay them on a soft surface for assembly.
3. Please be sure you have all parts indicated before you begin assembly.
4. Gently pull wiring down from ceiling junction box and allow to hang.
5. Connect lamp body ( F ) and canopy ( B ) with rods ( D1, D2, D3, D4 ) when you connect the rods, loosen the small hex screws ( E ) first then tighten with Allen wrench ( U ), after all rods are connected. Be sure all the hexangular screws are tight enough. **Note: if you want the fixture to be semi-flush mount, you only need connect lamp body ( F ) and canopy ( B ) with rod ( D4 ).**
6. Remove the mounting plate(A) from the canopy(B) by unscrewing the collar loop ( C ) in a counterclockwise direction.
7. Drill 1 hole inside the junction box and fasten the bracket(P) to ceiling by screwing the strengthen screws(O) into drilled hole as fig 1. \*If attach to cement ceiling, use anchor(r) first then screw strengthened screws(O) into the anchor ( R ).\* If attach to wood ceiling,thread strengthened screw(O) directly into ceiling, pass the steel rope(M) through the hole of bracket(P), and pass the steel rope(M) through the 2 holes of coupling(N), then fix with 2pcs screws provided in the coupling(N) as fig.2. be sure to tighten two screws attached on the coupling ( N ).
8. Pull the electrical cord of J-box through the exit hole of the mounting plate.
9. Carefully inspect the pendant's fixture wires. Neutral fixture wire: white, hot fixture wire: black, ground wire: green
10. Wrap ground wire of lamp assembly and ground wire of junction box together and fasten together with a plastic wire connector ( K ) and wrap the connection with electrical tape. If your outlet box does not have a ground wire, insert the green ground screw into the mounting plate ( A ) facing down,and wrap the fixture's bare ground wire around the ground screw.\
11. Attach the neutral fixture wire from the pendant to the neutral junction box wire ( usually white ). Fasten each together with a wire connector(K)

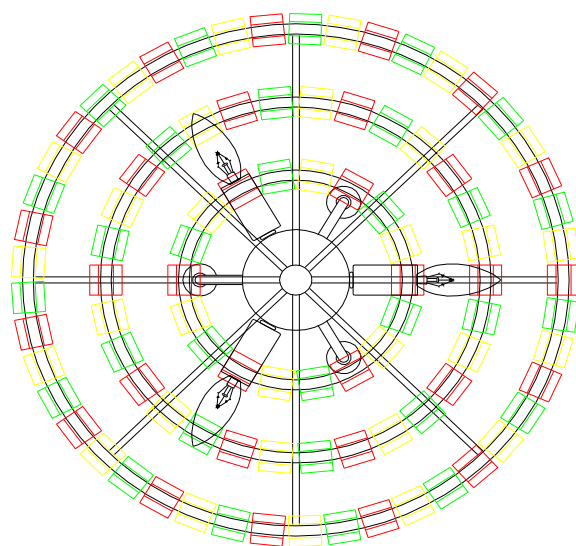
For customer service questions call 1-800-338-2150

ARTERIO RS



#### TO ASSEMBLE:

14. Attach the mounting plate (A) with nipple to the ceiling outlet box by using the enclosed mounting screws (J) and tighten screws with a screwdriver.
15. Push collar loop upto canopy (B) and tighten onto nipple in mounting plate (A) by turning in a clockwise to secure canopy.
16. Insert 7 type b 60w bulb(Q) (or cfl 13w or led 8w, not incl) into the sockets (L). **Do not exceed specified wattage.**
17. Put large glass (S), medium glass(U) and small glass(V) in sequence onto top metal bar (G) carefully, then repeat the same operation on the other glasses, adjust the glass in a comfortable space.



#### CARE INSTRUCTIONS:

Wipe with a soft, dry cloth. To protect finish, avoid the use of chemicals and household cleaners.