

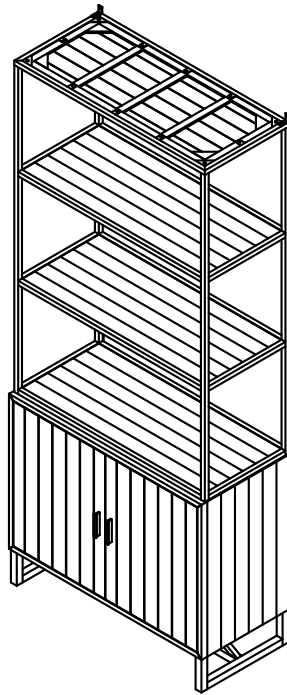
MOE'S

home collection

ASSEMBLY INSTRUCTIONS.

SIERRA BOOKSHELF BLACK



FR-1043-02



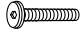




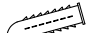




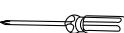
THANK YOU FOR YOUR PURCHASE!

PARTS AND HARDWARE.

PARTS LIST

NO.	DESCRIPTION	IMAGE	Q'TY
P1	TOP SHELF		1
P2	BASE CABINET		1

HARDWARE LIST

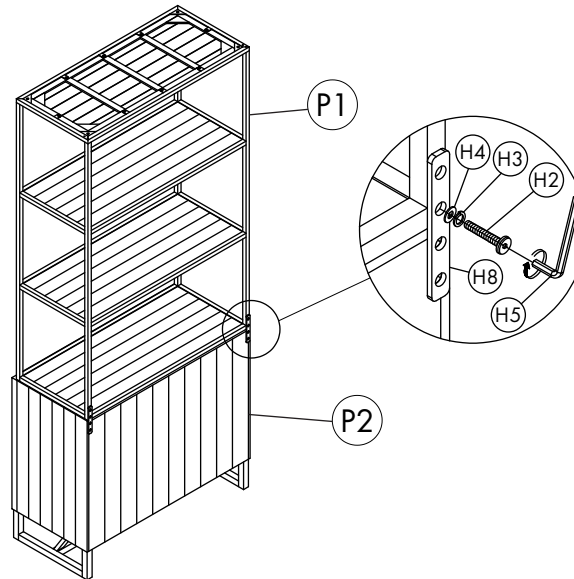
NO.	DESCRIPTION	IMAGE	Q'TY
H1	BOLT M6 x 20		4
H2	BOLT M8 x 20		8
H3	SPRING WASHER M8		8
H4	WASHER M8		8
H5	ALLEN KEY M4		1
H6	WALL ANCHOR		2
H7	SCREW M6 x 60		2
H8	METAL PLATE		2
H9	METAL PLATE		2
H10	SCREW M4 x 40		2
H11	SCREW DRIVER		NOT PROVIDE

NOTES.

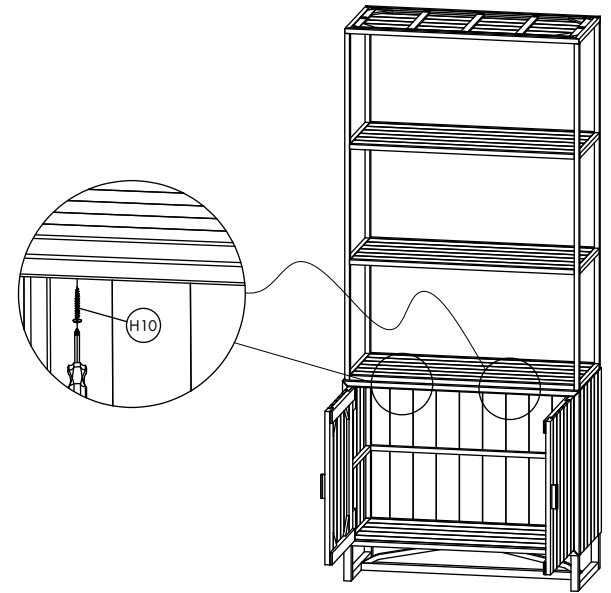
Thank you for purchasing this quality product! Be sure to check all packing material carefully for small part that may have come loose inside the carton during shipping.

CAUTION: The item is heavy, assembly should be performed by two people.

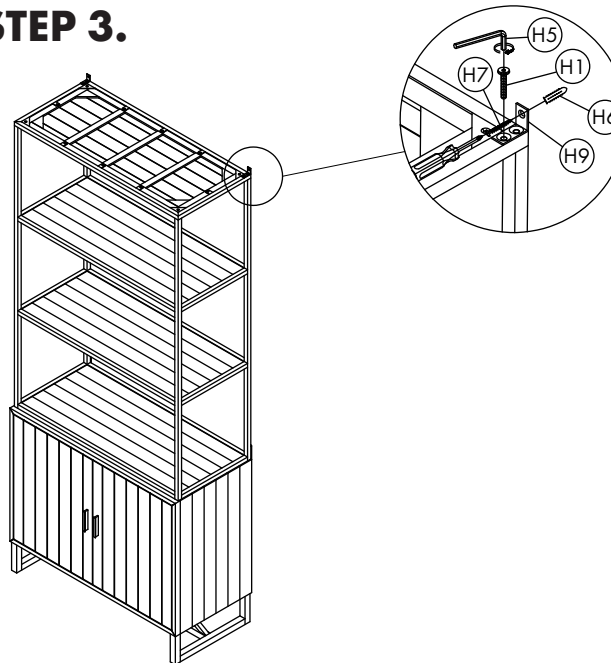
STEP 1.



STEP 2.



STEP 3.



STEP 4.

