



CAL LIGHTING

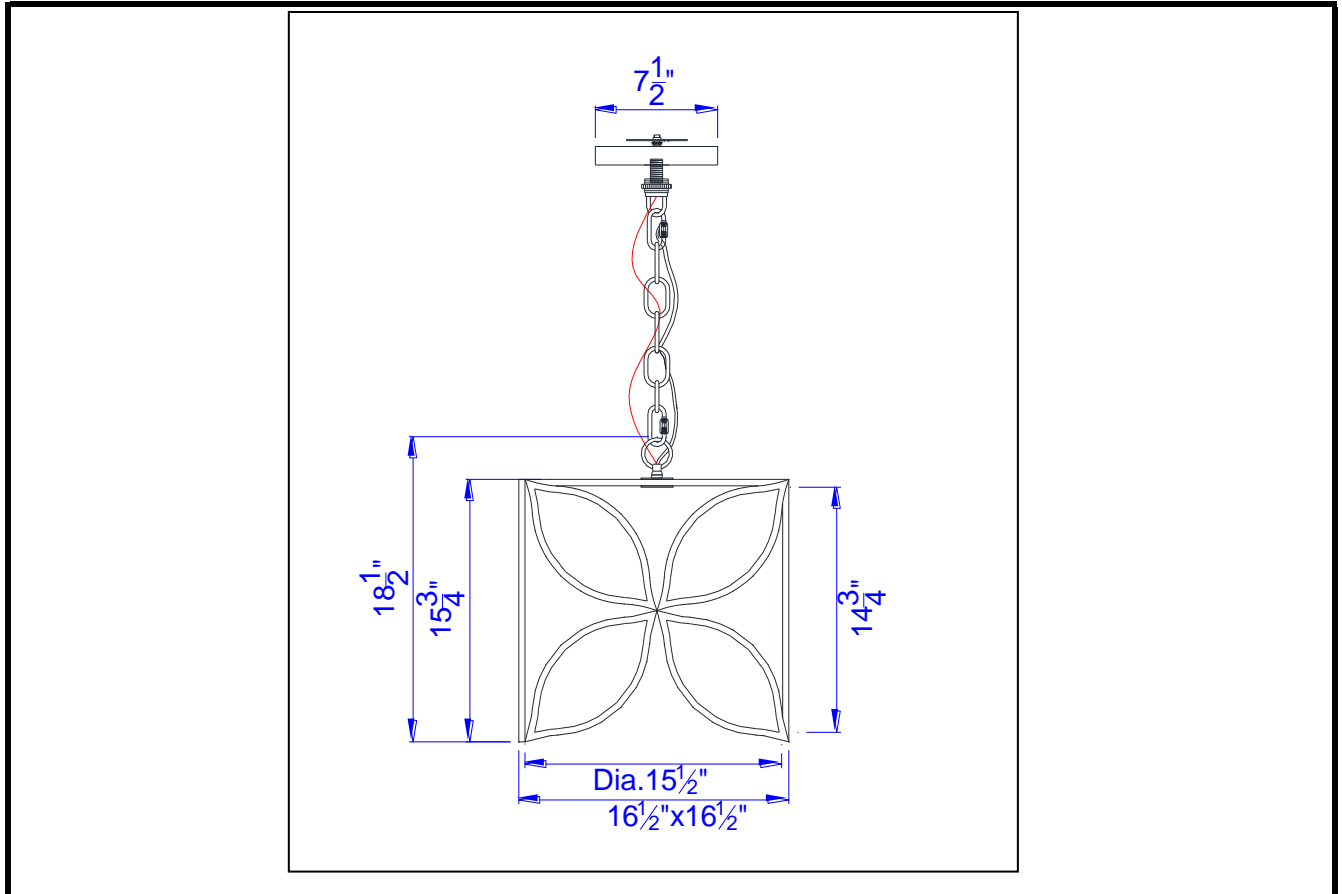
3625 E. Philadelphia St. Ontario CA. 91761 • Tel: 909.947.5200 • Fax:
909.947.5673 • www.calighting.com • service@calighting.com •
Specifications subject to change without notice

Type: _____

Project: _____

Catalog No.: _____

Lamp/Wattage: _____



Model No: FX-3602-3
Description: 60Wx3 Belton Metal Chandelier
Material: Metal
Finish : French Gold
Height: 18 1/2"
Width: 16 1/2"x16 1/2"
Wattage : 60Wx3
Socket : Medium Base (E27)
Bulb: Incandescent
Chain Length: 6'
Wire Length: 10'
Wire Color: Brown
Shade No:
Material: Linen
Shade size: Dia.15 1/2"xH14 3/4"
Certificate : 