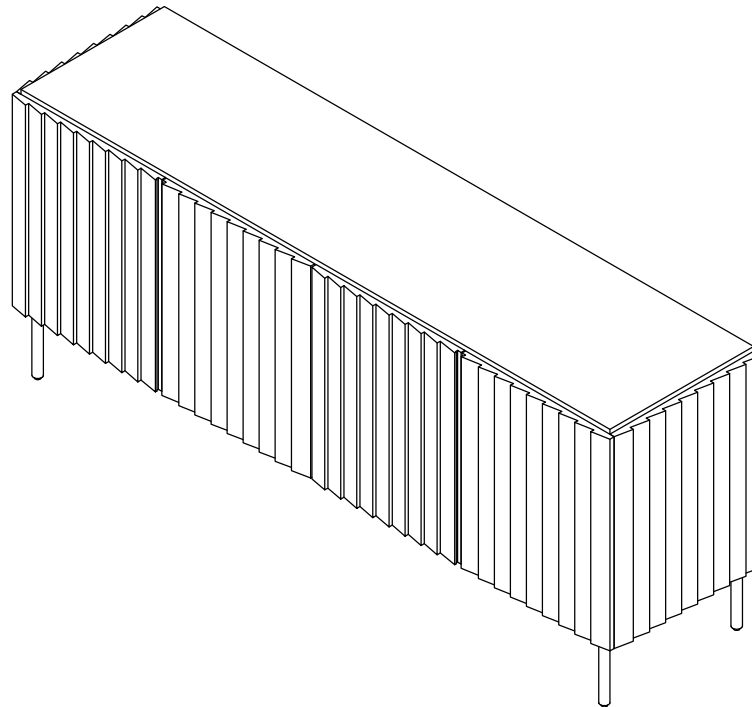


MOE'S
home collection

ASSEMBLY INSTRUCTIONS.

LINCOLN SIDEBORD BROWN

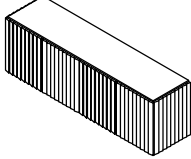
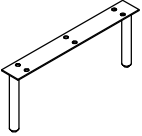
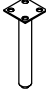
JU-1010-03



THANK YOU FOR YOUR PURCHASE !

PARTS AND HARDWARE.

PARTS LIST

No.	DESCRIPTION	IMAGE	Q'TY
P1	BODY		1
P2	METAL LEGS		2
P3	METAL MIDDLE LEG		1

HARDWARE LIST

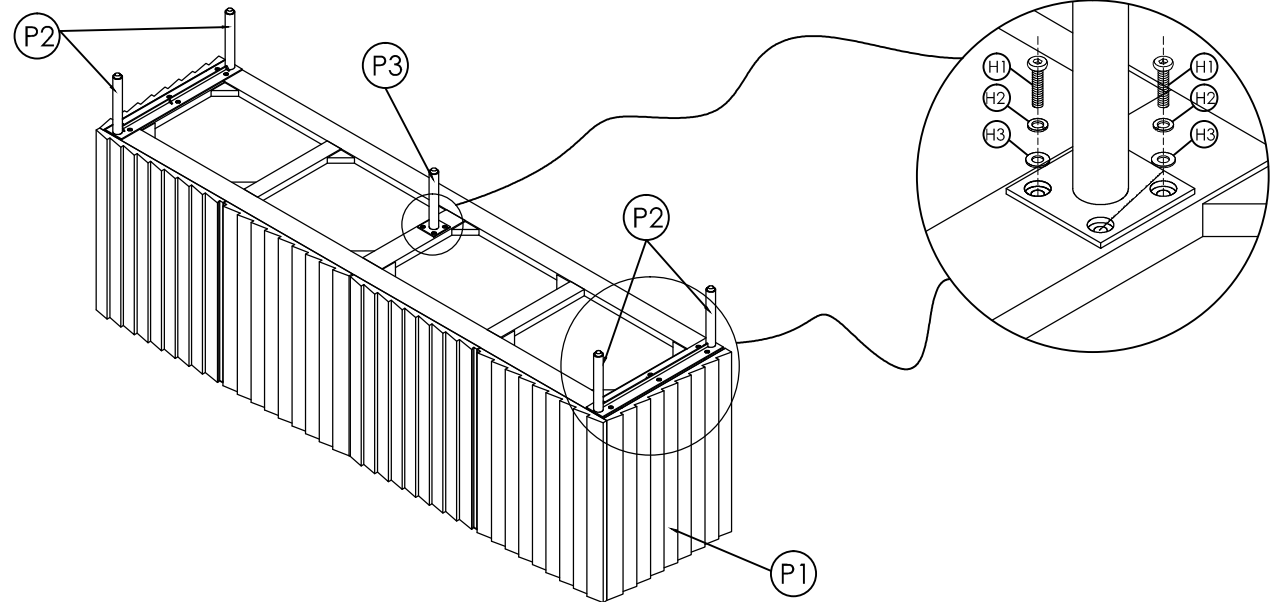
No.	DESCRIPTION	IMAGE	Q'TY
H1	BOLT Ø6 x L20mm		16
H2	SPRING WASHER Ø6/10x2mm		16
H3	FLAT WASHER Ø6/16x2mm		16
H4	Allen key M4x60mm		1

NOTES.

Thank you for purchasing this quality product! Be sure to check all packing material carefully for small part that may have come loose inside the carton during shipping.

CAUTION: The item is heavy, assembly should be performed by two people.

STEP 1.



STEP 2.

