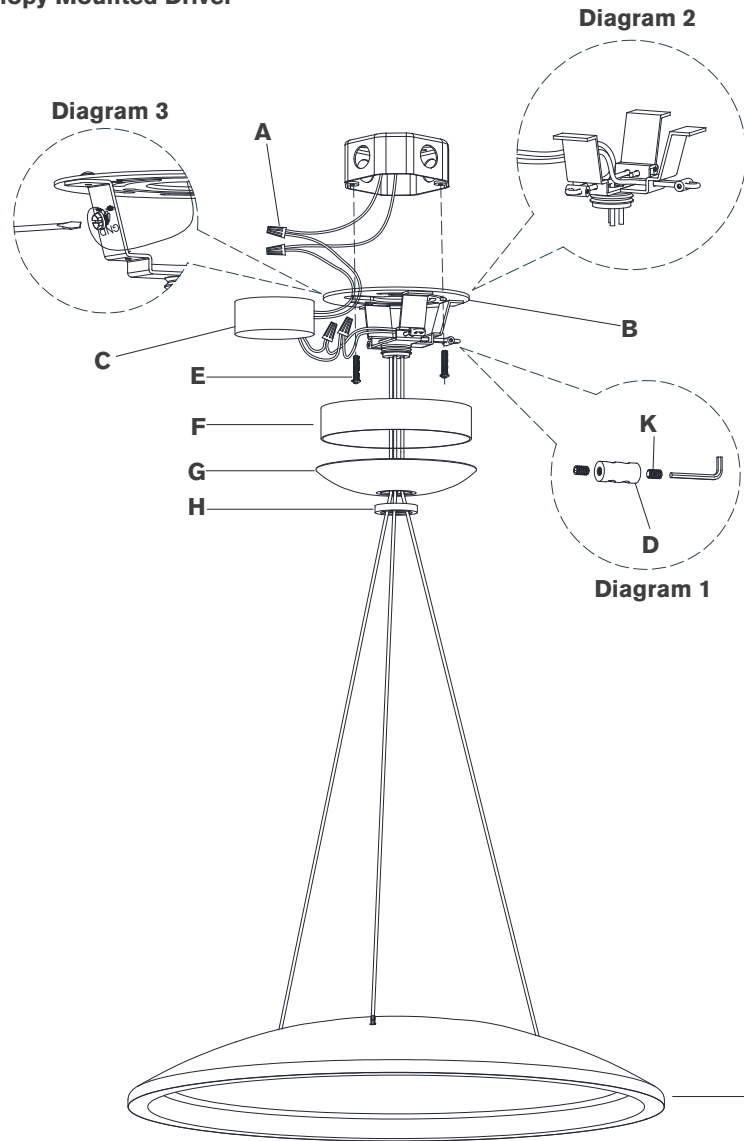


ASSEMBLY INSTRUCTIONS

Option 1: Canopy Mounted Driver



Ariel 40" Chandelier

Item # BBL5142

NOTICE:

This light fixture should be installed in accordance with all applicable, local installation codes, and by a person familiar with the construction and operation of it, as well as the hazards involved. Inspect item and contents carefully. If any damage or defect is found, do not install. Retain all packaging material until installation is complete and approved.

TOOLS REQUIRED (NOT INCLUDED):

Phillips Screwdriver	Slotted Screwdriver	Measuring Tape
Wire Cutters	Wire Strippers	

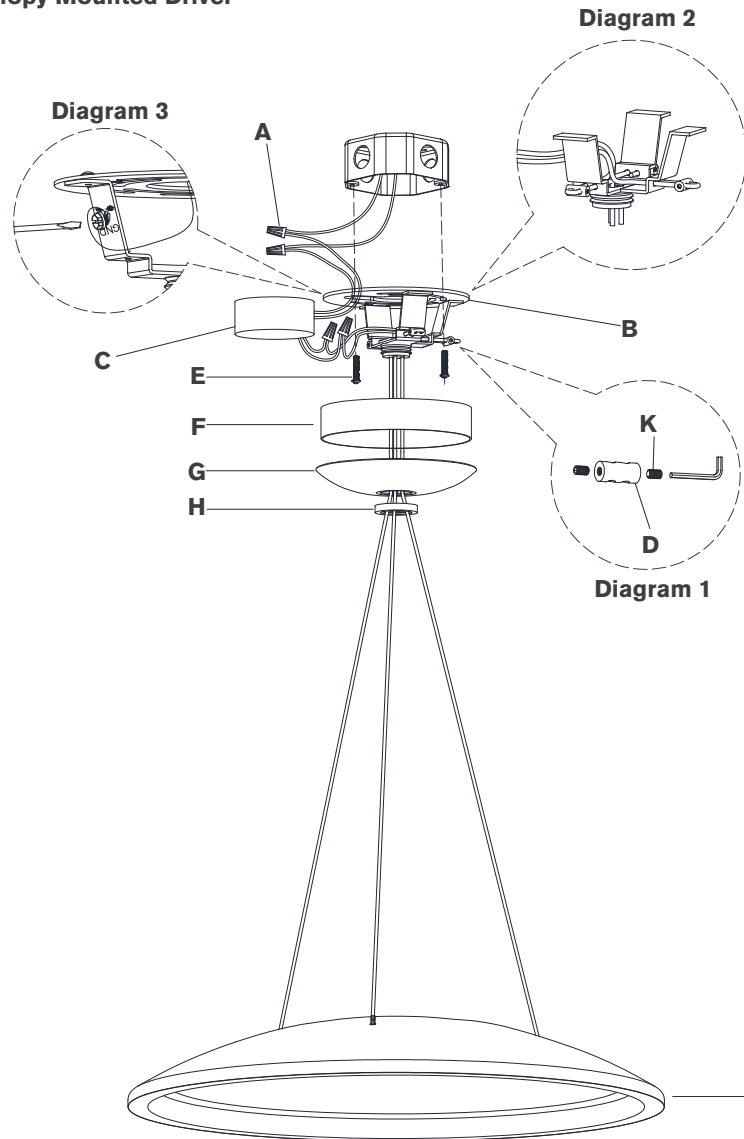
PERSONS REQUIRED: Two

1. Carefully remove all parts from the box. Place on a clean, soft surface.
2. Remove mounting plate (B) from driver housing (F) and canopy (G) by removing collar ring (H).
3. Install mounting plate (B) to the junction box and secure with mounting screws (E).
NOTE: It is recommended to have a helper assist in supporting the fixture for steps 4-5.
4. Feed hanging cables through collar ring (H), driver housing (F) and canopy (G), then insert through the middle hole of the mounting plate bracket.
5. Continue feed hanging cables through the side hole of mounting plate bracket, then install cable locks (D) to end of hanging cables. Insert hanging cable through other end of locks and tighten ends (K) with screwdriver to secure (see diagram 1 & 2).
6. Adjust hanging cables to desired height and level fixture, then feed hanging cables through other side holes of mounting plate bracket (see diagram 2).

NOTE: Double check height and ensure fixture is level before moving to next step.

ASSEMBLY INSTRUCTIONS

Option 1: Canopy Mounted Driver



Ariel 40" Chandelier

Item # BBL5142

NOTICE:

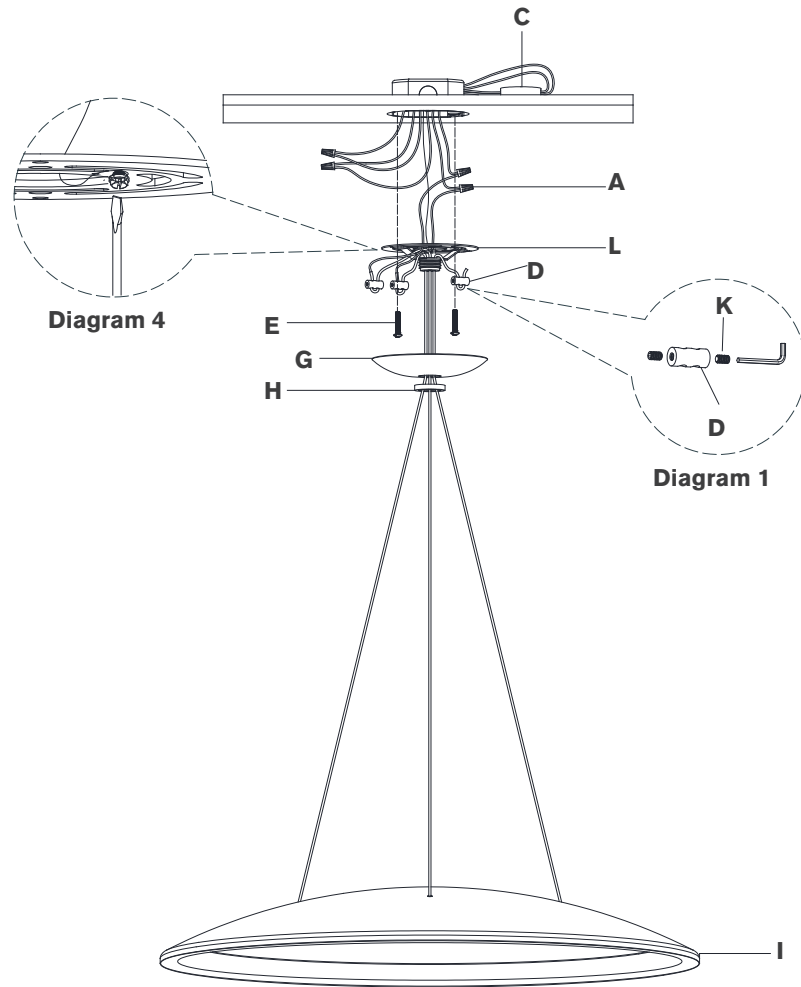
This light fixture should be installed in accordance with all applicable, local installation codes, and by a person familiar with the construction and operation of it, as well as the hazards involved. Inspect item and contents carefully. If any damage or defect is found, do not install. Retain all packaging material until installation is complete and approved.

- Cut excess wires, being sure to leave enough to reach the junction box. Separate fixture wires (marked "+" & "-") and strip insulation on each 5/8".
NOTE: Only two of the three hanging cables will be used for electrical connection. Identify hanging cables for electrical connection (marked + & -) and cut last cable as shown in line diagram.
- Connect driver (C) output neutral wire (black) to the fixture neutral wire (marked "-") using wire nut (A).
- Connect driver (C) output hot wire (red) to the fixture hot wire (marked "+") using wire nut (A).
CAUTION: Do not reverse the hot and neutral connections.
- Connect supply ground wire (usually green or bare copper) around the green grounding screw (see diagram 3). Tighten.
NOTE: It is imperative that the fixture is grounded.
- Connect driver (C) input neutral wire (white) to the supply neutral wire (usually white) using wire nut (A).
- Connect driver (C) input hot wire (black) to the supply hot wire (usually black) using wire nut (A).
CAUTION: Do not reverse the hot and neutral connections.
- Make sure all wire connections are tight, then carefully tuck into the junction box.
- Install driver (C) into mounting plate bracket (B).
- Install driver housing (F) and canopy (G) to tall mounting plate (B) and secure with collar ring (H).

Care Instructions: Clean only with a soft dry cloth or feather duster. Do not use abrasive or chemical agents.

ASSEMBLY INSTRUCTIONS

Option 2: Ceiling Mounted Driver



Arial 40" Chandelier

Item # BBL5142

NOTICE:

This light fixture should be installed in accordance with all applicable, local installation codes, and by a person familiar with the construction and operation of it, as well as the hazards involved. Inspect item and contents carefully. If any damage or defect is found, do not install. Retain all packaging material until installation is complete and approved.

TOOLS REQUIRED (NOT INCLUDED):

Phillips Screwdriver

Slotted Screwdriver

Measuring Tape

Wire Cutters

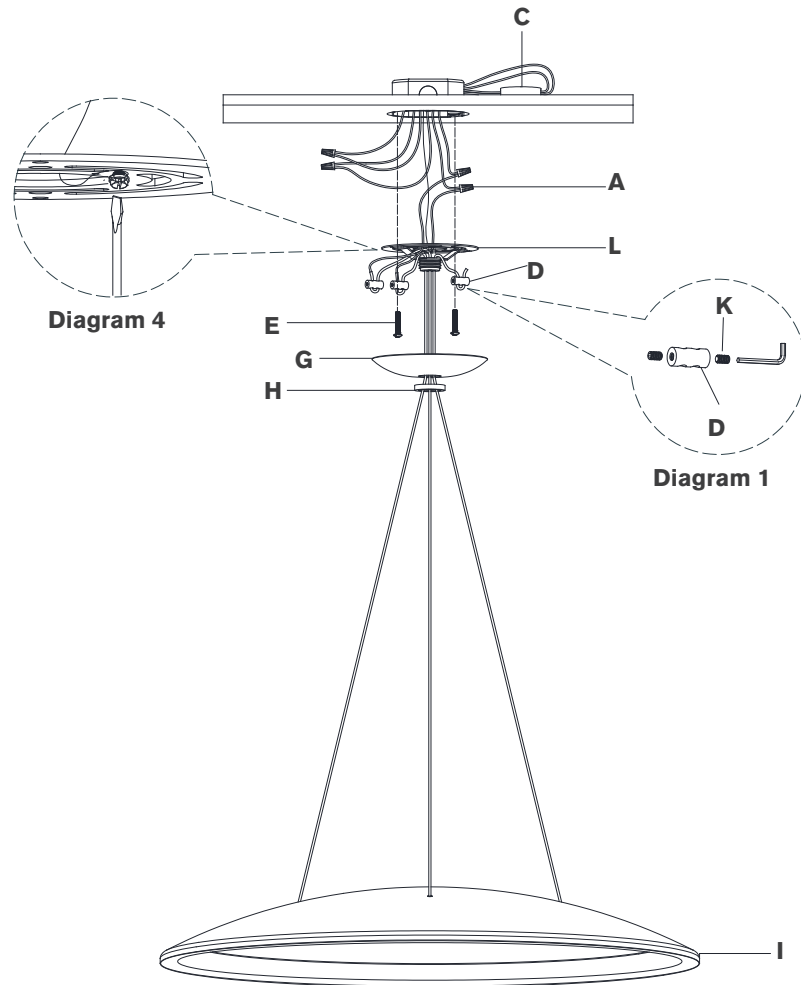
Wire Strippers

PERSONS REQUIRED: Two

1. Carefully remove all parts from the box. Place on a clean, soft surface.
2. Place driver (**C**) into ceiling and route all wires through one of the knockouts in the junction box.
3. Remove tall mounting plate from driver housing (**F**) and canopy (**G**) by removing collar ring (**H**).
NOTE: Driver housing (**F**) will not be used for ceiling mounted assembly. Keep part and store for future use.
4. Install mounting plate (**L**) to the junction box and secure with mounting screws (**E**).
NOTE: It is recommended to have a helper assist in supporting the fixture for steps 5-6.
5. Feed hanging cables through collar ring (**H**) and canopy (**G**), then insert through the middle hole of the mounting plate bracket.
6. Install cable locks (**D**) to end of hanging cables. Insert hanging cable through other end of locks and tighten ends (**K**) with screwdriver to secure. See diagram 1.
7. Adjust hanging cables to desired height and level fixture.
NOTE: Double check height and ensure fixture is level before moving to next step.

ASSEMBLY INSTRUCTIONS

Option 2: Ceiling Mounted Driver



Ariel 40" Chandelier

Item # BBL5142

NOTICE:

This light fixture should be installed in accordance with all applicable, local installation codes, and by a person familiar with the construction and operation of it, as well as the hazards involved. Inspect item and contents carefully. If any damage or defect is found, do not install. Retain all packaging material until installation is complete and approved.

- Cut excess wires, being sure to leave enough to reach the junction box. Separate fixture wires (marked "+" & "-") and strip insulation on each 5/8".

NOTE: Only two of the three hanging cables will be used for electrical connection. Identify hanging cables for electrical connection (marked + & -) and cut last cable as shown in line diagram.

- Connect driver (C) output neutral wire (black) to the fixture neutral wire (marked "-") using wire nut (A).
- Connect driver (C) output hot wire (red) to the fixture hot wire (marked "+") using wire nut (A).
- CAUTION:** Do not reverse the hot and neutral connections.
- Connect supply ground wire (usually green or bare copper) around the green grounding screw (see diagram 4). Tighten.
- NOTE:** It is imperative that the fixture is grounded.
- Connect driver (C) input neutral wire (white) to the supply neutral wire (usually white) using wire nut (A).
- Connect driver (C) input hot wire (black) to the supply hot wire (usually black) using wire nut (A).
- CAUTION:** Do not reverse the hot and neutral connections.
- Make sure all wire connections are tight, then carefully tuck into the junction box.
- Install canopy (G) to mounting plate (L) and secure with collar ring (H).

Care Instructions: Clean only with a soft dry cloth or feather duster. Do not use abrasive or chemical agents.