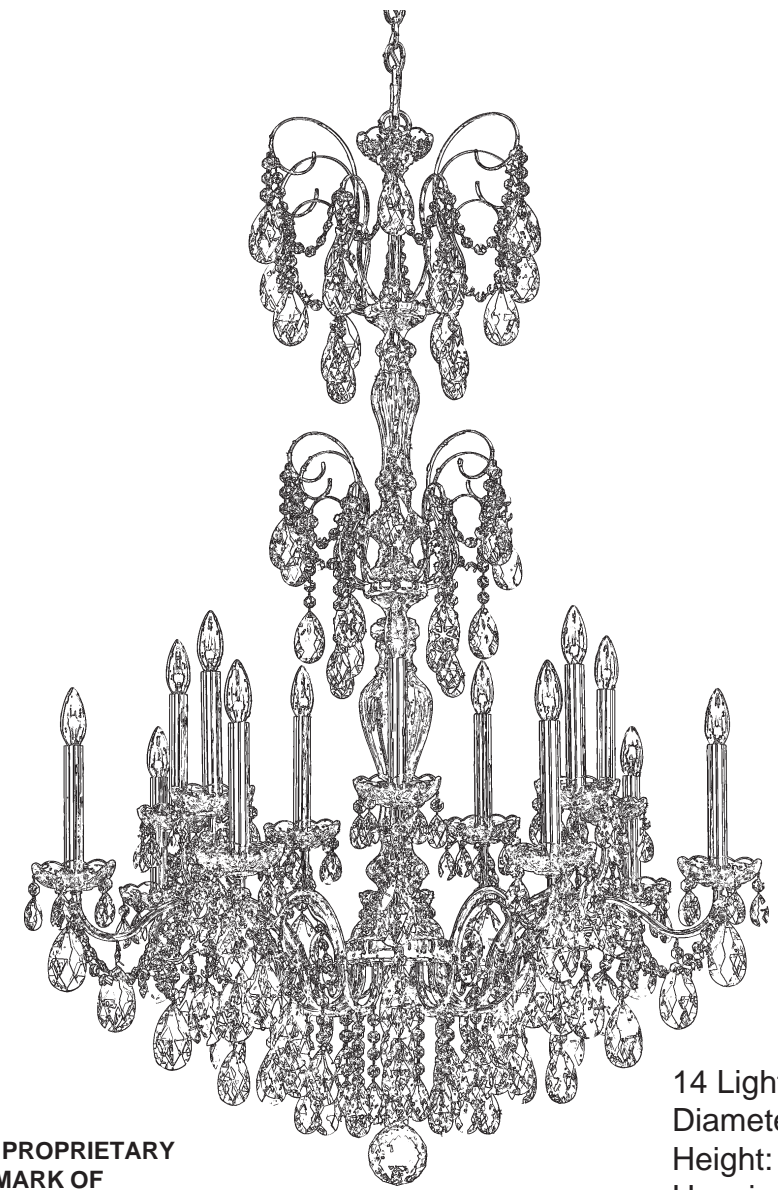




**SCHONBEK®**

**SONATINA ST1952N- \_\_ \_\_ S**



14 Lights  
Diameter: 35"  
Height: 52-1/2"  
Hanging Weight: 48lbs.

**T**HIS DESIGN IS THE PROPRIETARY  
TRADE DRESS/TRADEMARK OF  
SWAROVSKI LIGHTING, LTD.



**SCHONBEK®**

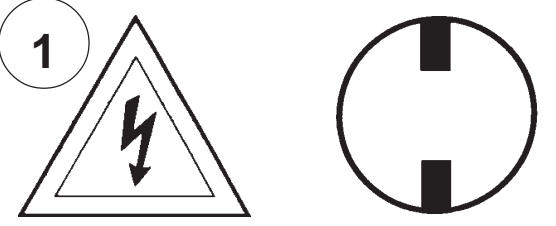


MAX 60 W

110-120 V

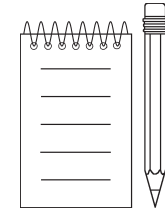
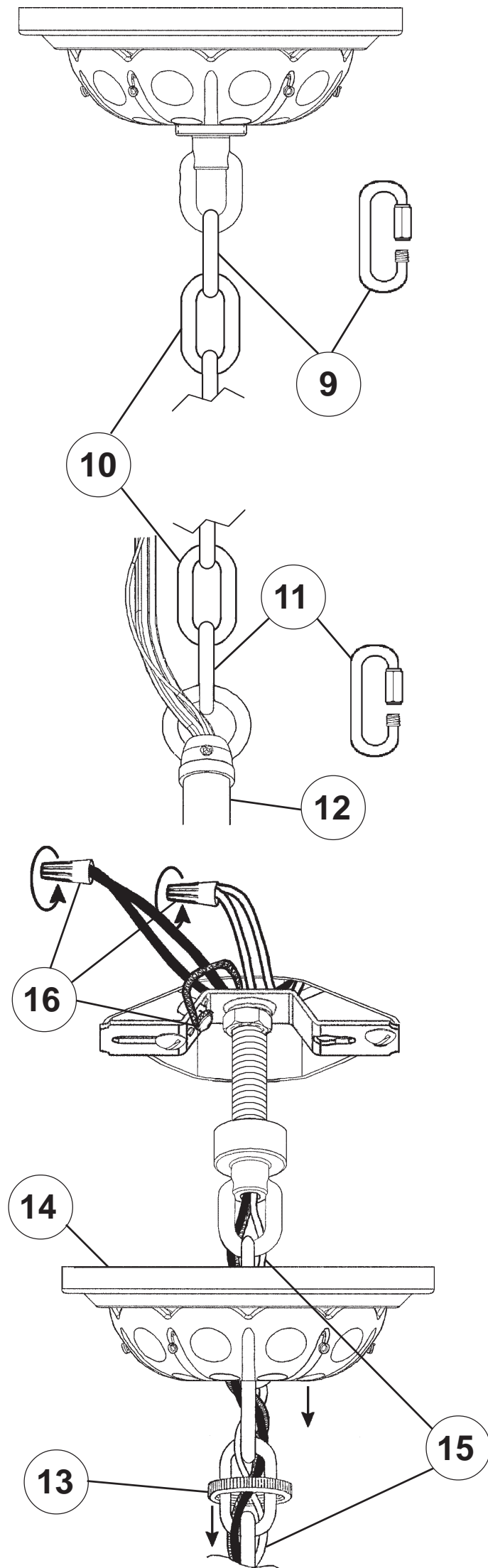
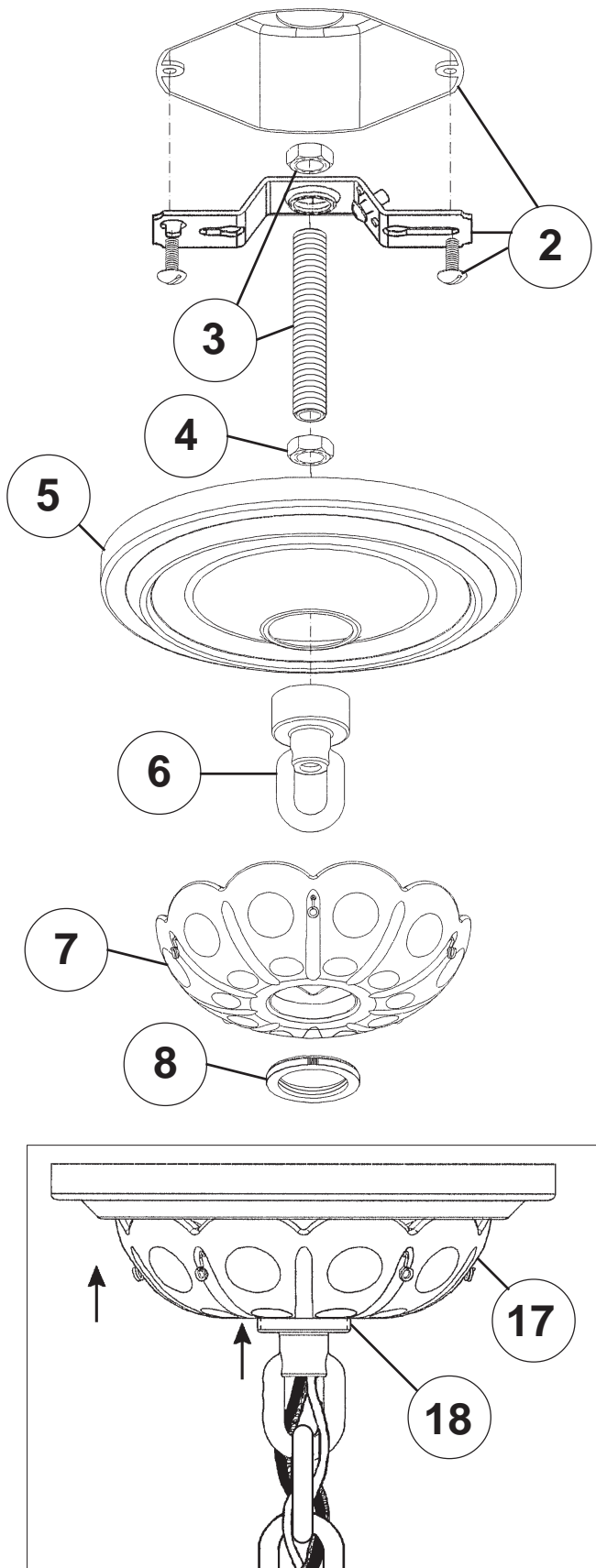
SCHONBEK® is a member of the Swarovski group.

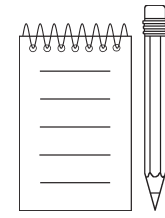
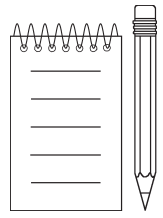
**WARNING:**

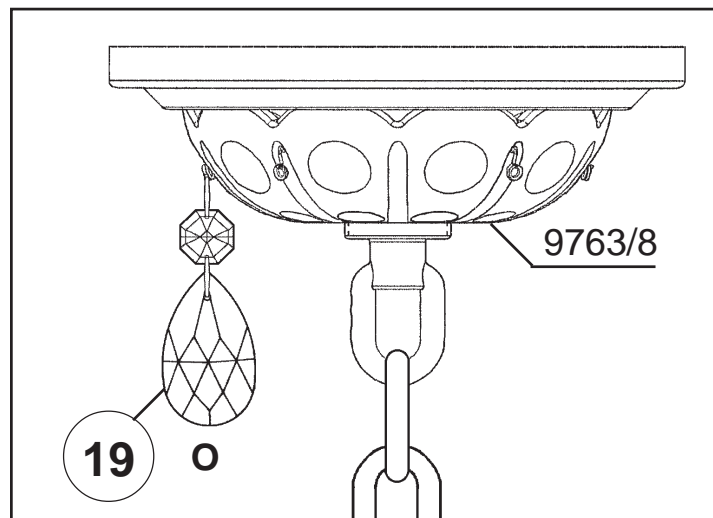
1 

**Electrical Danger Turn Power Off**

All electrical components must be installed by a licensed electrician in accordance with the National Electric Code and the appropriate local electrical codes.








20

You will need 14 - B10  
25 Watts Recommended  
60 Watts Max

**Install bulbs and be  
sure to test fixture  
BEFORE trimming.**

