

# TEAR SHEET

## Dume Large Arched Floor Lamp

Item # AL 1060HAB-L

Designer: Amber Lewis

Height: 63"

Width: 18"

Extension: 26"

Base: 12.5" Round

Finishes: AI, HAB

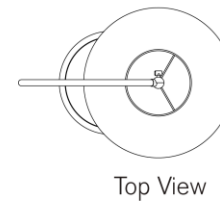
Shade Treatments: L, NAB

Shade Details: 8" x 18" x 12"

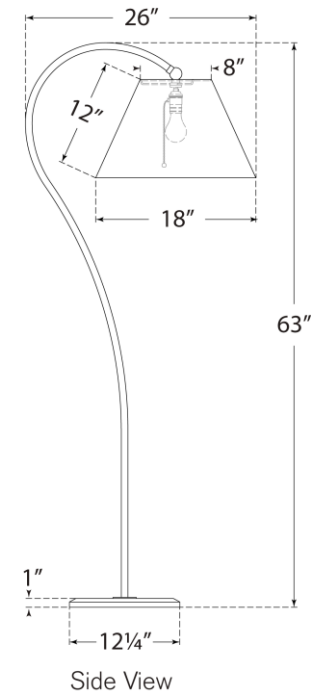
Socket: E26 Dimmer

Wattage: 15 LED A19

Weight: 19 Pounds



Top View



Side View