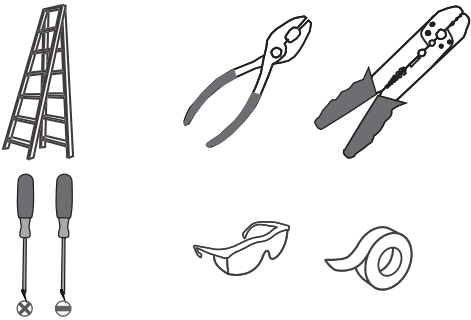
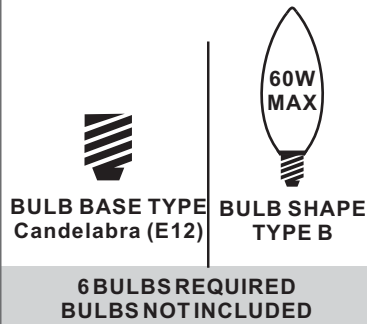


**Tools Required**



**Light Source**



**Fixture Height Adjustable  
27" to 75"**

**⚠ Warnings and Cautions**

Turn off the electricity at the circuit breaker before installation. Consult a licensed electrician if in doubt about installation.

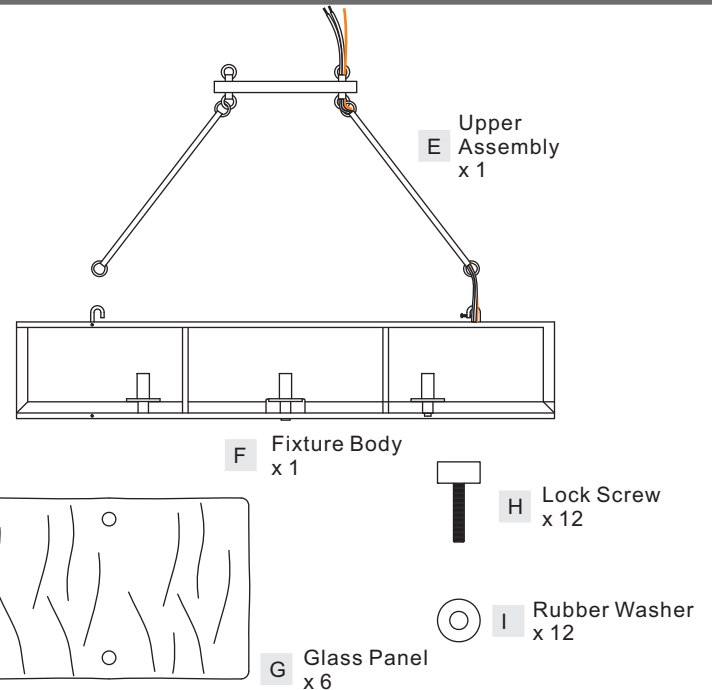
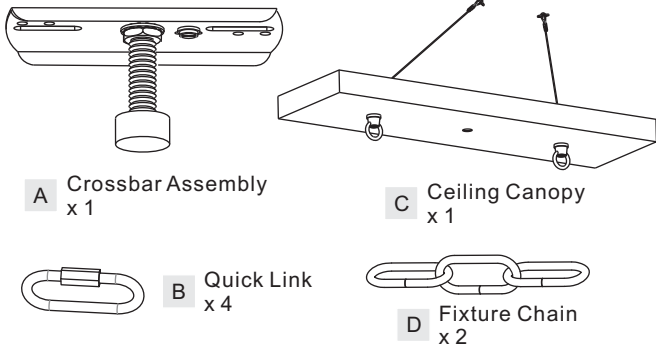
Turn off power to the fixture and allow the bulbs to cool before replacing.

**Package Contents**

**Preparation:** Identify and inspect all parts before beginning the installation.

Missing or damaged parts? Contact your original place of purchase.

**PARTS BAG**



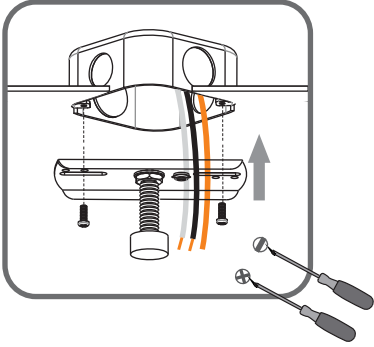
**Table of Contents**

Crossbar Assembly	Upper Assembly	Fixture Chain	Lanyard	Wiring	Ceiling Canopy	Bulb&Glass
STEP 1	STEP 2	STEP 3	STEP 4	STEP 5	STEP 6	STEP 7

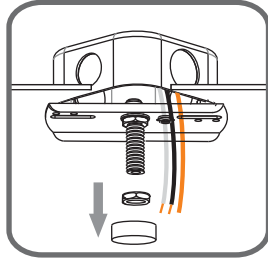
# STEP 1

1

Step 1  
Install crossbar assembly

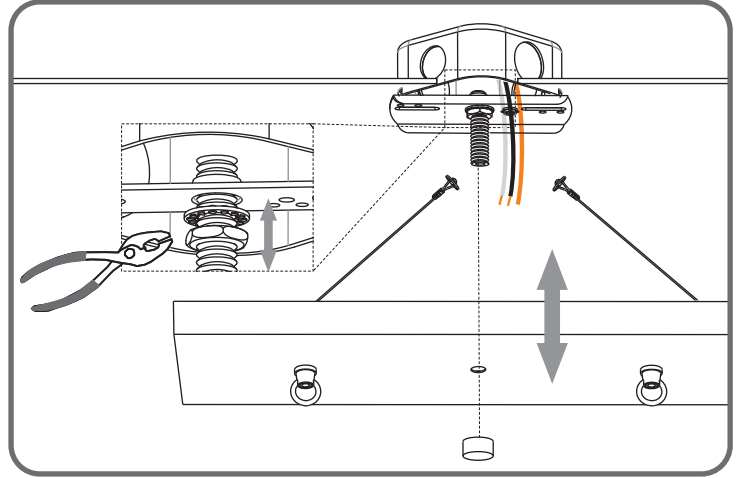


2

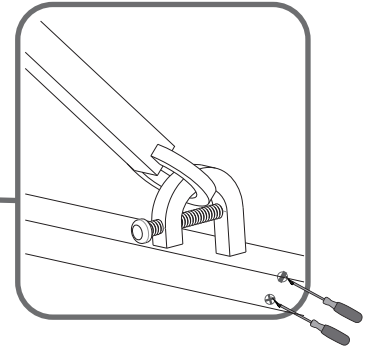
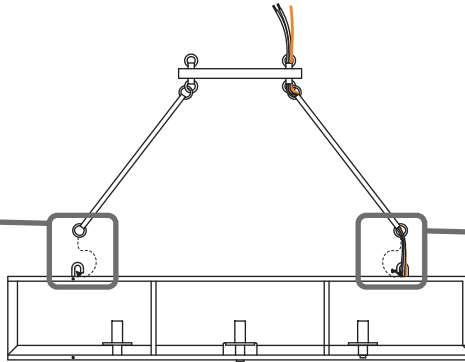
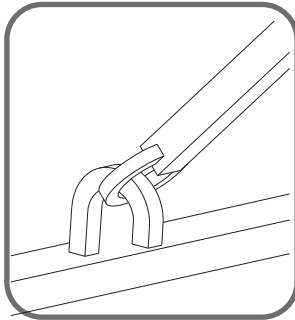


3

Step 2 - 3  
Test fitting ceiling canopy to nipple



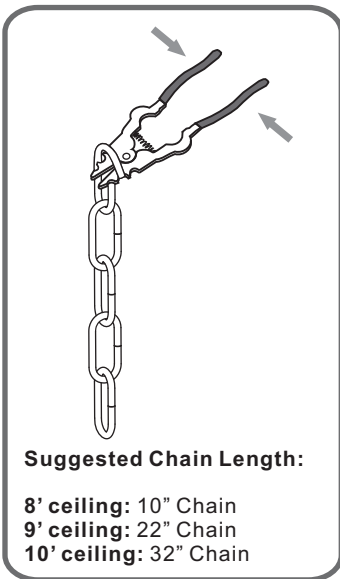
# STEP 2



# STEP 3

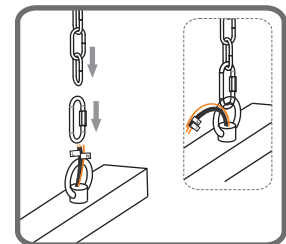
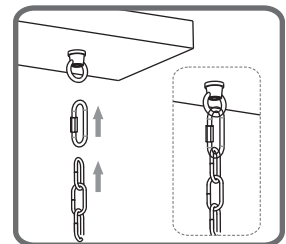
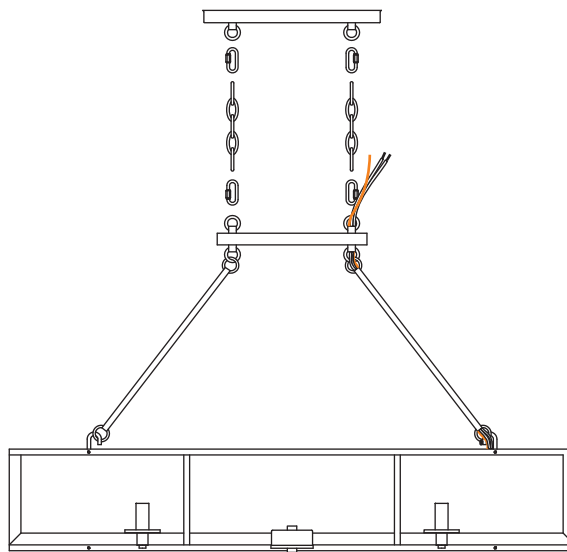
1

Step 1  
Adjust fixture chain length



2

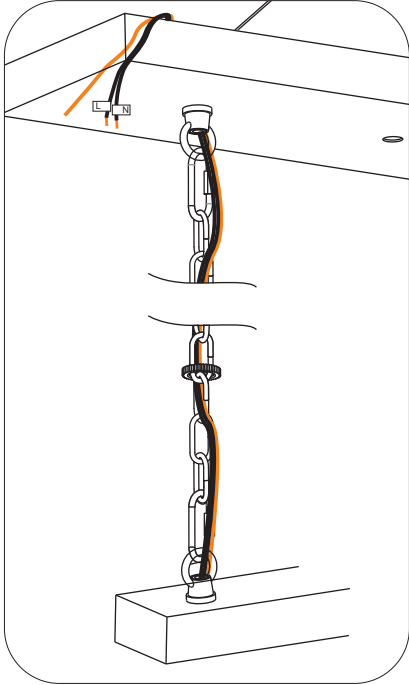
Step 2  
Install Fixture Chain



## STEP 4

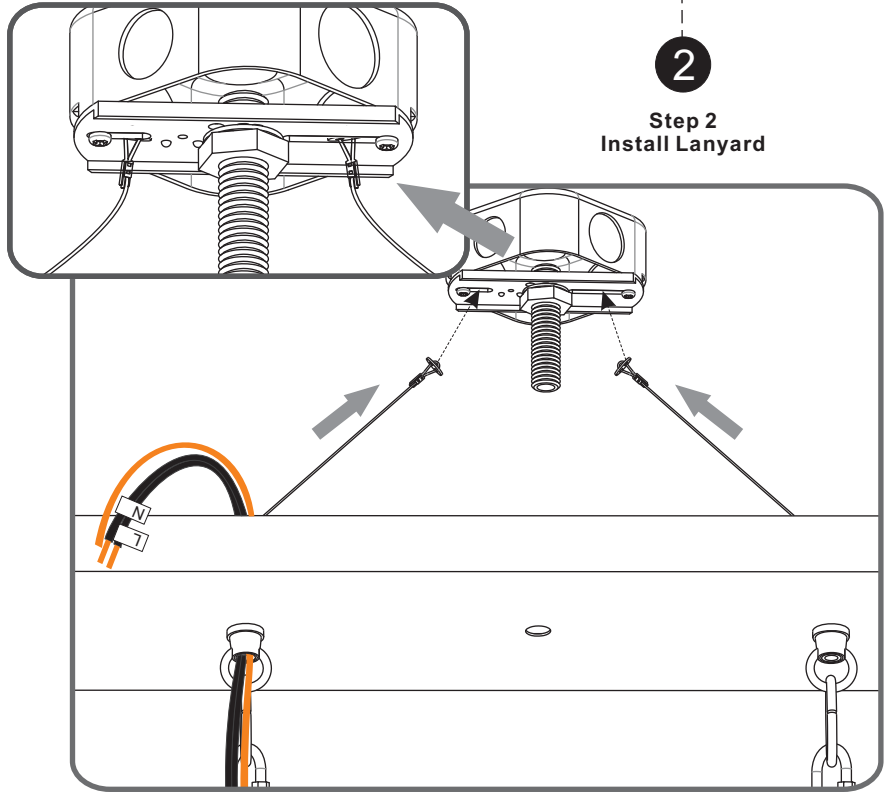
1

Step 1  
Feed the fixture wires  
through the ceiling canopy

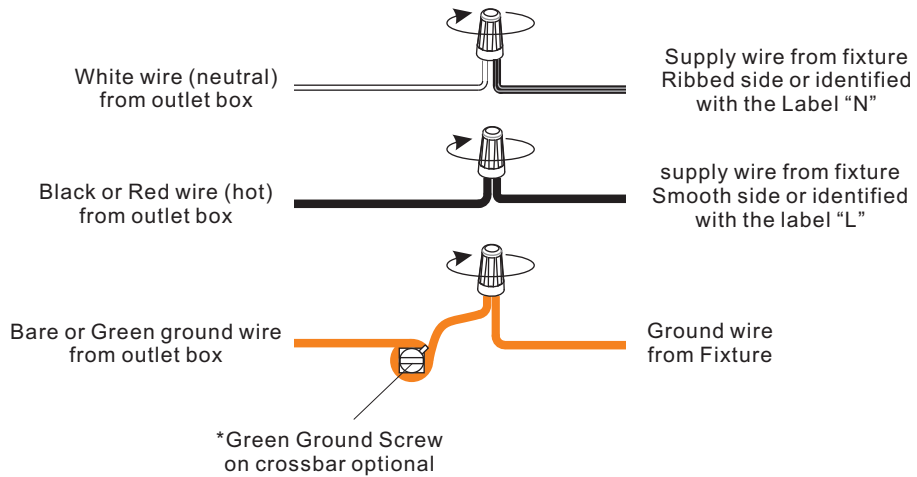


2

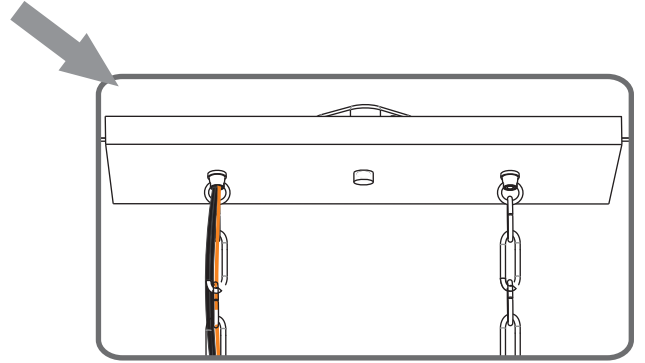
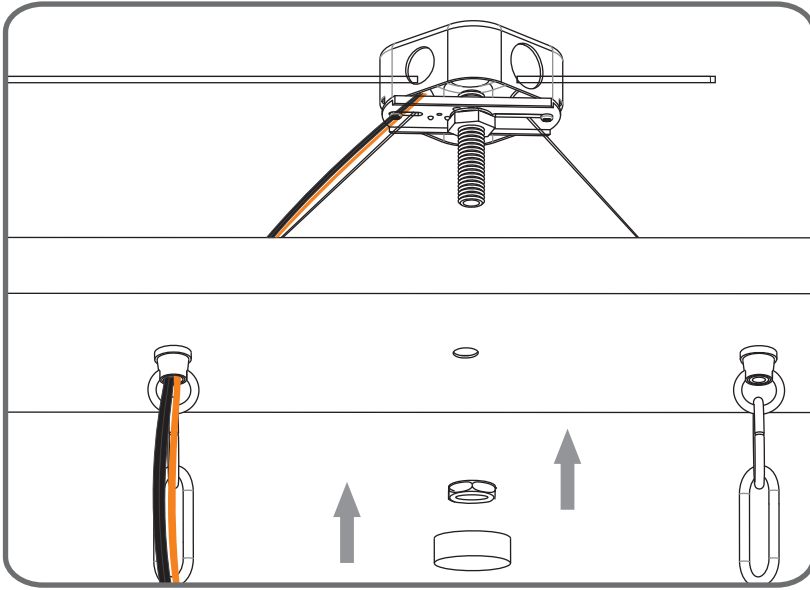
Step 2  
Install Lanyard



## STEP 5



**STEP 6**



**STEP 7**

