

Stock Code: **20356LEDDMGLP-SAT/FST**

Collection: Oceanus

PRODUCT INFORMATION

Base: 20356 Parent: 20356LEDDMGL
Mounting Type: Ceiling UPC: 641594221787
Finish: Satin
Diffuser: Frosted

PRODUCT MEASUREMENTS

FIXTURE	BACKPLATE / CANOPY
Length:	Length 5"
Width:	Width: 4.75"
Diameter 15.75"	Diameter:
Height:	Height:
Extension: 5.5"	
Overall Height:	

TECHNICAL SPECIFICATIONS

SPECIFICATIONS

Frame Material: Aluminum
Diffuser Material: Glass
Lamping Type: E-26 (Replaceable LED Jbox: Standard
Lamping Base: E-26 Lamp Wattage: 10 W
Lamp Quantity: 2 Total Wattage: 20 W
Voltage: 120v Lamps Included: Yes

QUALIFICATIONS

Location Rating Wet
Certification: ETL (US/Canada) Listed
ADA Compliant: No Energy Star: No
JA8 Compliant: Yes Emergency Lighting: No
Marine Grade: Yes Warranty: 5 Year

PHOTOMETRICS

Dimmable: Yes Nominal Lumens 1600 Lm
CRI: 80 Delivered Lumens: N/A
CCT: 3000K
Recommended Dimmers:
(TRIAC)LEGRAND Titan CD703-PW; (ELV)LUTRON Skylark
SELV-300P; (MLV)COOPER Aspire 9530SW

Additional Notes:

Custom Finish 5 Piece Minimum Order Quantity

Project Name: _____

Location: _____

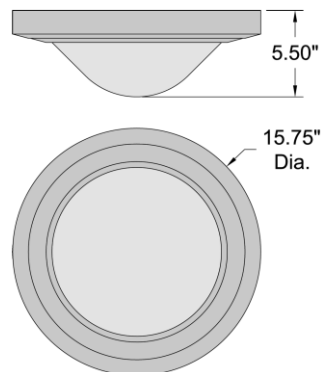
Type: _____

Quantity: _____

Notes: _____



LINE DRAWING



IES FILE

In addition to Access Lighting's purchase and warranty terms and conditions, by signing below or placing an order, you agree that you are authorized to bind the entity placing any order and acknowledge the following: All of sizes and measurements are approximate and all images are for illustrative purposes only. In the event of an inconsistency, the "Product Measurements" section controls. There also may be slight differences in the colors and designs compared to the displayed and printed images.

Signature: _____

Print Name _____ Date: _____

Toll Free 800-828-5483 www.AccessLighting.com

14410 Myford Road, Irvine, CA 92606

