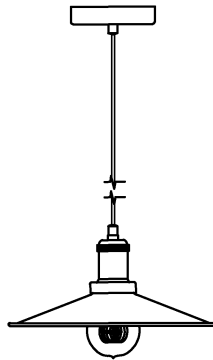


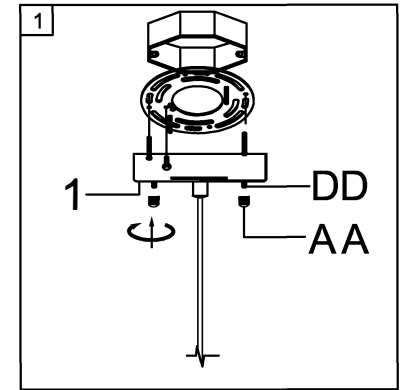
Trade Mark:
CRYSTAL WORLD INC

Product Name: Pendant lamp
Model :9605P13-1-101
120Vac, 60Hz,AC ONLY
Lamp Size:D13"*H7"~H66"




PENDANT LAMP ASSEMBLY INSTRUCTIONS

1.Place fixture (1) onto mounting screws (DD).Secure with Cap nut (AA).

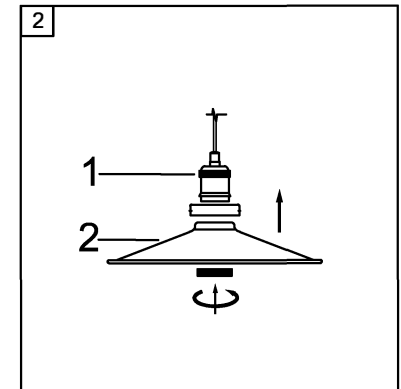


Hardware Used

AA Cap nut  X 2

DD Mounting screw  X 2

2.Please fix part (2) with part (1).



3. Install lighting bulbs (not included).

USE 120V E26  1*40W Max.

