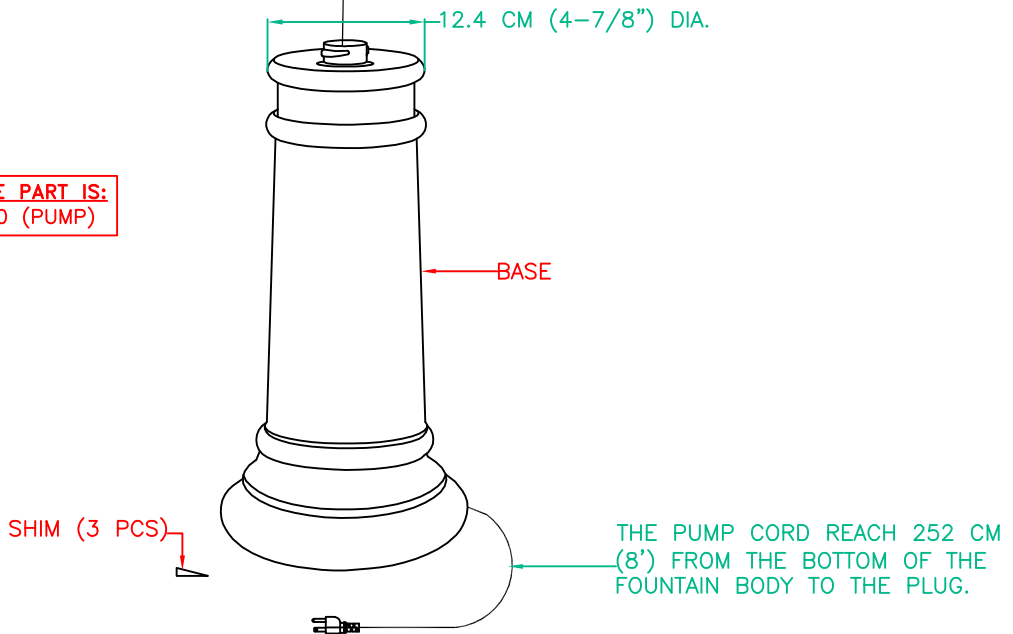


AVAILABLE PART IS:
PUMP1400 (PUMP)



KENROY HOME

3723 Regent Boulevard
JACKSONVILLE, FL. 32224
PHONE: 904-642-4340
FAX: 904-642-4150

THIS DOCUMENT AND THE INFORMATION THAT IT DISCLOSES IS THE EXCLUSIVE PROPERTY OF KENROY HOME. ANY REPRODUCTION OR USE OF THIS DRAWING IN PART OR IN WHOLE, WITHOUT THE EXPRESS CONSENT OF THE PROPRIETOR IS PROHIBITED. © 2018 KENROY HOME.

DATE: 7/19/2018

SCALE: NONE

DRAWN BY: ARVIN

REFERENCE: VOGEL FLOOR FOUNTAIN

APPROVAL:

REVISION DATE: 9/13/2018 Use new INS

REVISION DATE: 11/6/2018 change spec

REVISION DATE: 9/4/2020 change box size

REVISION DATE:

MODEL #:

51083TL

FINISHES:

TEAL

PAGE:

1 OF 2

PRODUCT SPECIFICATIONS

OVERALL ASSEMBLED DIMENSIONS

HEIGHT: 692 MM (27-1/4"), WIDTH: 409 MM (16-1/8"), DEPTH: 409 MM (16-1/8").

PUMP: UL LISTED. 120V, 60HZ, 5 WATT. MODEL: YH-400MIX, SUBMERSIBLE FOUNTAIN PUMP, FLOW RATE: 105 GPH. HEAD: 110 CM (43-1/4") HEIGHT.

BIRD: PAINTED CERAMIC IN TAEI FINISH, 101 MM (4") WIDTH. x 85 MM (3-3/8") HEIGHT, 60 MM (2-3/8") EXTENTION. SHAPED AS SHOWN.

RESERVOIRS: PAINTED CERAMIC IN TEAL FINISH, UPPER RESERVOIR: 279 MM (11") DIA. x 184 MM (7-1/4") HEIGHT. LOWER RESERVOIR: 409 MM (16-1/8") DIA. x 95 MM (3-3/4") HEIGHT. WATER CAPACITY: 0.65 GALLONS. SHAPED AS SHOWN.

BASE: PAINTED CERAMIC IN TEAL FINISH, 213 MM (8-3/8") DIA. x 390 MM (15-3/8") HEIGHT. SHAPED AS SHOWN.

PUMP POWER CORD: UL LISTED, FROM PUMP TO PLUG: 3.3 M (11') LENGTH. 18 AWG., 3 CONDUCTORS, 105°C, TYPE SJTW, WATER PROOF. BLACK COLOR. COPPER MATERIAL. WIRES MUST BE LEAD FREE.

LABELS: MANUFACTURING DATE, MODEL # AND COUNTRY OF ORIGIN LABEL PROVIDED, WARNING LABEL FOR PARTS AND PARTS ARROW LABEL WERE STUCK ON INSIDE OF BOX.

PACKAGING AND SHIPPING DETAILS

THIS FOUNTAIN WAS DISASSEMBLED FOR SHIPPING, EACH PART IS CAREFULLY WRAPPED IN A PLASTIC BAG AND PLACED SECURELY IN THE INNER PACKING SO THEY CAN NOT MOVE DURING SHIPPING.

THE CARTON IS MADE OF DOUBLE WALL CORRUGATED CARDBOARD "K MA A". (200 LBS), BROWN IN COLOR. THE INNER PACKING IS DIE-CUT CARDBOARD AND/OR STYROFOAM SUFFICIENT TO PROTECT AND SECURE THE FOUNTAIN AND MUST PASS THE FEDEX AND ISTA-3A DROP TEST REQUIREMENTS.

EACH CARTON SHALL BE PRINTED WITH A LINE DRAWING AND THE KENROY HOME NAME, LOGO AND CUSTOMER SERVICE PHONE NUMBER (PRODUCT HELP LINE - 904.642.4340), MODEL NUMBER FINISH, EACH CARTON SHALL BE PROVIDED A UPC LABEL. THE UPC BAR CODE AS FOLLOWS: 053392988838.

OTHER DETAILS

MODEL 51083TL INSTRUCTIONS ARE TO BE PACKED WITH EACH FOUNTAIN. INSTRUCTIONS MUST BE PRINTED CLEARLY ON QUALITY PAPER.

ALL VISIBLE RESIN PARTS MUST MATCH FOUNTAIN FINISH UNLESS OTHERWISE SPECIFIED.

ALL BAGS MUST BE LABELED WITH OFFICIAL "THIS BAG IS NOT A TOY" STATEMENT.

WE REQUIRED THAT A COLOR PIGMENT CLOSE TO THE FINISH COLOR OF THE FOUNTAIN MUST BE MIXED INTO THE RESIN/MATERIAL PRIOR TO THE MOLD COMPLETION. THIS IS TO ASSURE IF WE HAVE ANY PEELING OF PAINT THE RESIN IS THE SAME COLOR AS THE FINISH OF THIS ITEM.

EACH FOUNTAIN SHOULD HAVE A PIGMENT COLOR REFERENCE CHIP FOR THE UNPAINTED GOODS FOR INSPECTION.

THIS FOUNTAIN IS RATED FOR OUTDOOR USE.

ASSEMBLY TIME: 10 MINUTES.

DIMS OF BOX: 520 MM (20-1/2") LENGTH x 385 CM (15-1/8") WIDTH x 480 MM (18-7/8") HEIGHT. (CUFT.: 3.39')

NET WEIGHT: 22 LBS. GROSS WEIGHT: 26.4 LBS.

KENROY HOME 3723 Regent Boulevard JACKSONVILLE, FL. 32224 PHONE: 904-642-4340 FAX: 904-642-4150	THIS DOCUMENT AND THE INFORMATION THAT IT DISCLOSES IS THE EXCLUSIVE PROPERTY OF KENROY HOME. ANY REPRODUCTION OR USE OF THIS DRAWING IN PART OR IN WHOLE, WITHOUT THE EXPRESS CONSENT OF THE PROPRIETOR IS PROHIBITED. © 2018 KENROY HOME.			REVISION DATE: 9/13/2018 Use new INS	MODEL #:
				REVISION DATE: 11/6/2018 change spec	51083TL
	DATE: 7/19/2018	SCALE: NONE	DRAWN BY: ARVIN	REVISION DATE: 9/4/2020 change box size	FINISHES: TEAL
	REFERENCE: VOGEL FLOOR FOUNTAIN		APPROVAL:	REVISION DATE:	PAGE: 2 OF 2