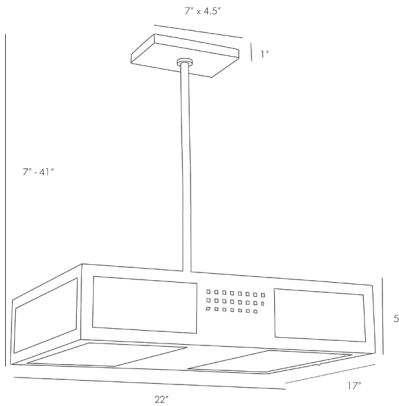


ARTERIOS

BISGER SQUARE PENDANT

CELERIE KEMBLE



DC89001
 H: 7 IN, W: 22 IN, D: 17 IN
 Antique Brass, Opal Glass
 Contract Suitable As Is

Clean lines, crafted from stainless steel, frame plates of frosted glass, so the light beneath is filtered beautifully. The mid-strip is hand-punched and casts scattered light in every direction. The bottom plates are removable for easy bulb replacement. The brass tones are a brushed, antique finish that runs all the way up to the flush mount. Fits four standard bulbs. Also available as a rectangular pendant (DC49002) and sconce (DC49003). Damp-rated, although limited covered outdoor conditions may affect finish.

APPEARANCE

Material Glass, Steel
 Finish Antique Brass, Opal
 Top Coat/Sealant true
 Link Welded

DIMENSIONS

Chandelier H: 5 IN, W: 22 IN, D: 17 IN
 Minimum Hanging Height 7 IN
 Maximum Hanging Height 41 IN
 Canopy H: 1 IN, W: 7 IN, D: 4.5 IN

WIRING

Rating Damp
 Cord 10 FT, Clear/Silver, SPT-2
 Socket 4, Type A- E26 Other
 Maximum Watt 60
 Voltage 110-120 V

CERTIFICATIONS

Certifications Mexico
 European Union, United Arab Emirates, United States, Canada

COMPLIANCY

UL/ETL Yes
 CB Yes
 RoHS true

SHIPPING

Product Weight 18 LBS
 Gross Weight 1 23.5 LBS
 Shipping Box 1 H: 10 IN, L: 25.5 IN, W: 19 IN

REPLACEMENT PARTS

Replacement Part 1 PIPE-180

CONTRACT

Contract Suitable true