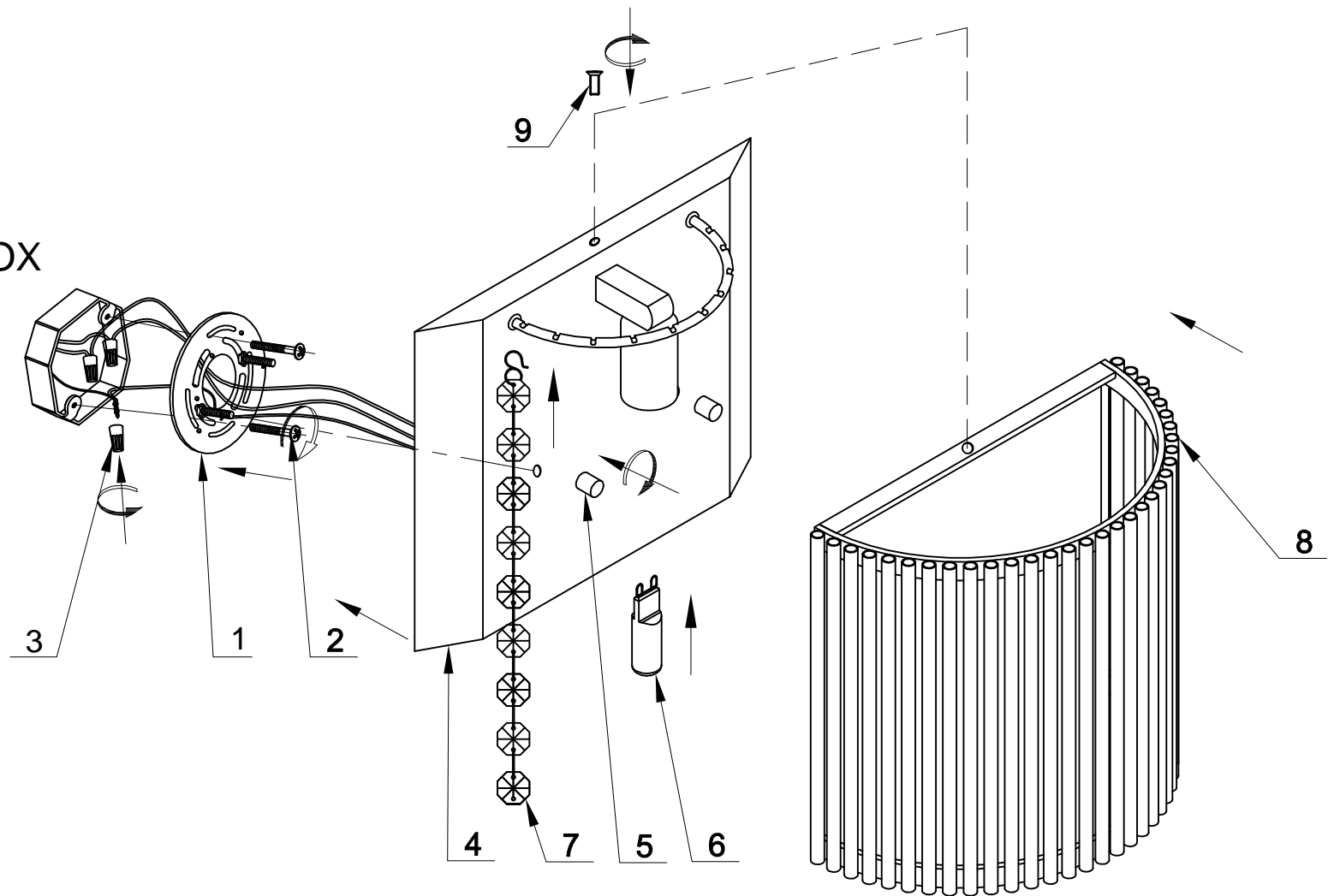


INSTALLATION INSTRUCTION

Item No. : E23130-10PC

OUTLET BOX



FEATURE

- Lamp Type: "Xenon"G9 MAX 60W 120V ~ 60HZ
- The lamp is for indoor use only