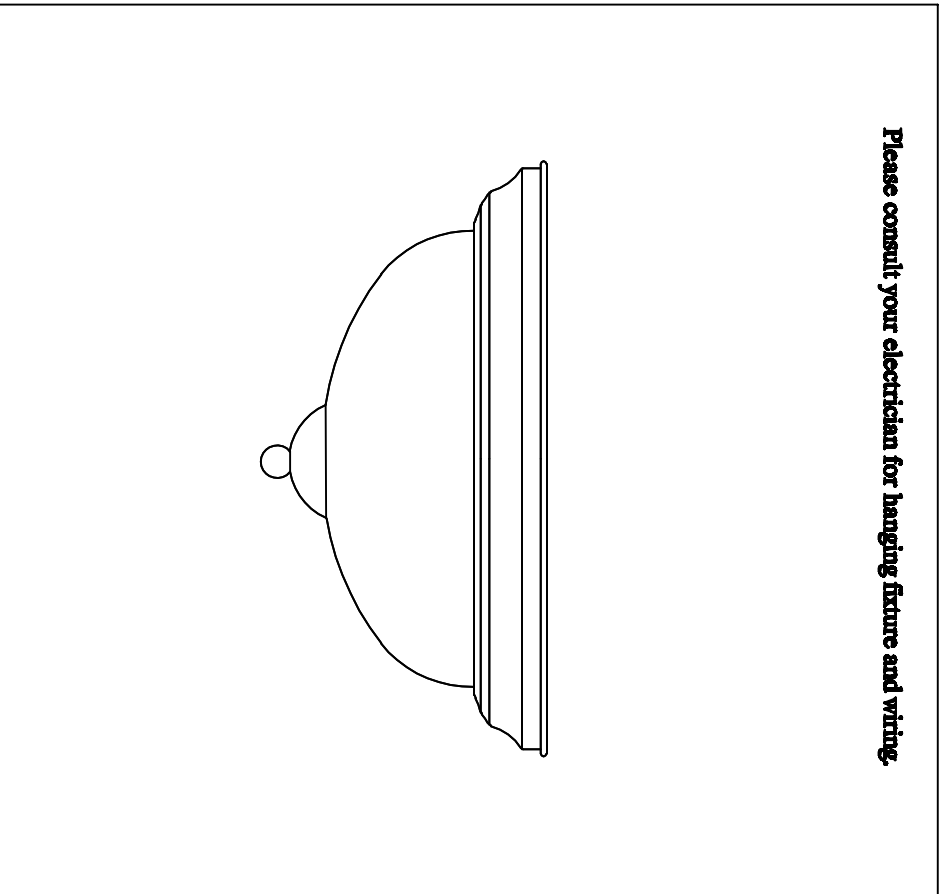


PRODUCT NAME: Taylor 2 Light Flush Mount
ITEM NUMBER: 21651

Please consult your electrician for hanging fixture and wiring.



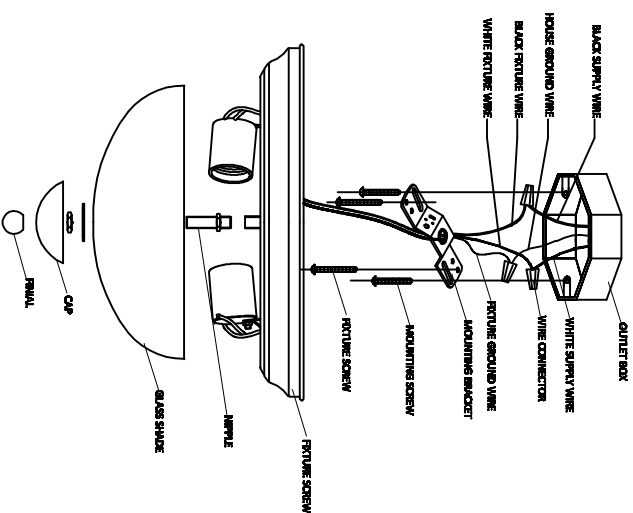
2*E26*60W (NO INCLUDED BULB)
 Locate all hardware & components before discarding packaging
Cleaning & Care:
 Clean with soft cloth and a mild detergent.
 DO not use abrasive cleaner.

PRODUCTS ARE NOT INTENDED FOR COMMERCIAL USE.

MADE IN CHINA
 Page 1 of (2)

PRODUCT NAME: Taylor 2 Light Flush Mount
ITEM NUMBER: 21651

CAUTION: Turn off the main power at the circuit breaker before installing and servicing the fixture to prevent possible injury from electric shock.
 All electrical connections must be in accordance with local and National Electrical Code (N.E.C.) standards.
 If you are unfamiliar with proper electrical wiring connections, obtain the services of a qualified electrician.



1. Remove **MOUNTING BRACKET** from fixture and install to electrical box. Thread **FIXTURE SCREWS** on bracket, but do not tighten completely.
2. Preset the hex nut on the nipple so that it screws onto bushing on the fixture pan at least four turns. Confirm the nipple sticks out from glass shade 3/4". Then tighten **HEX NUT** to bushing to set length.
3. Wire fixture to wires in outlet box. Black wire is live wire, white wire is neutral. Bare wire is for Ground.
4. Install fixture pan to bracket by rotating the fixture pan onto fixture screws through the keyhole slots. Then tighten fixture screws to secure.
5. Install light bulbs according to max wattage rating label on the socket.
6. Place glass on fixture pan and secure using cap and finial.

PRODUCTS ARE NOT INTENDED FOR COMMERCIAL USE.

MADE IN CHINA
 Page 2 of (2)