

# ASSEMBLY INSTRUCTIONS

## Parts:-



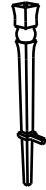
Marble Top x 1



Frame x 1



Stretcher x 1



Leg x 3



Screw driver x 1

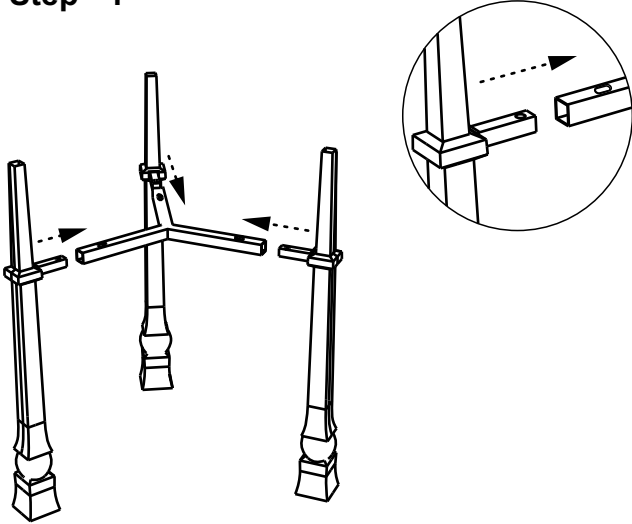


Large Screw x 3

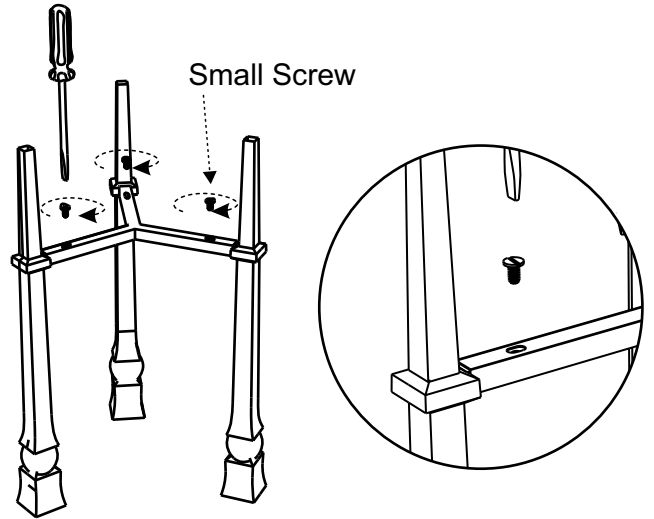


Small Screw x 3

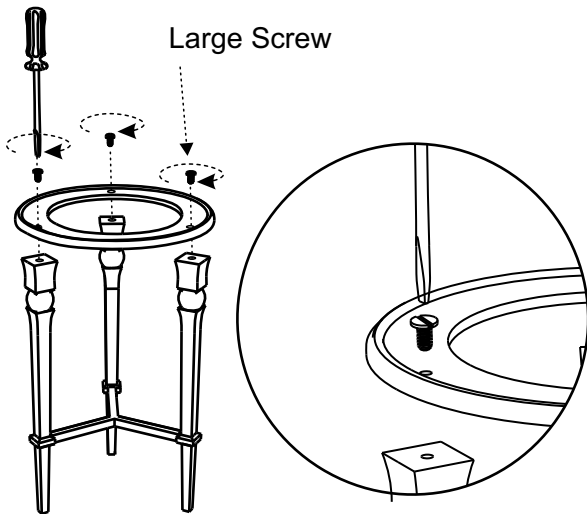
### Step - 1



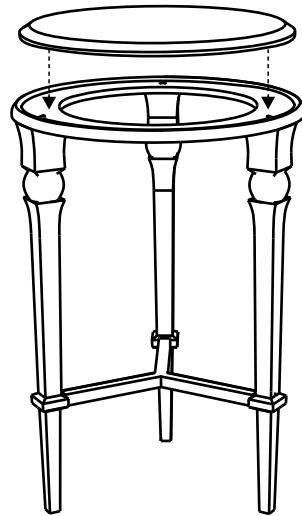
### Step - 2



### Step - 3



### Step - 4



## ASSEMBLED

