

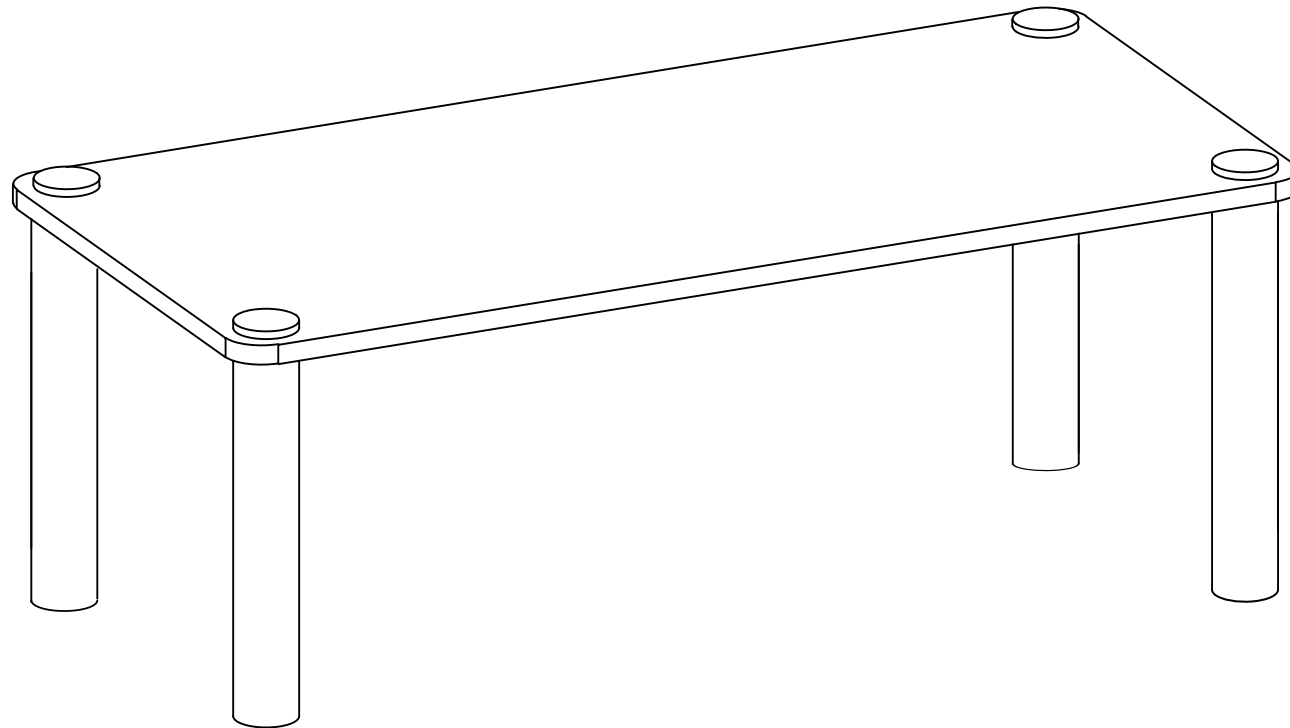
# MOE'S

home collection

## **ASSEMBLY INSTRUCTIONS.**

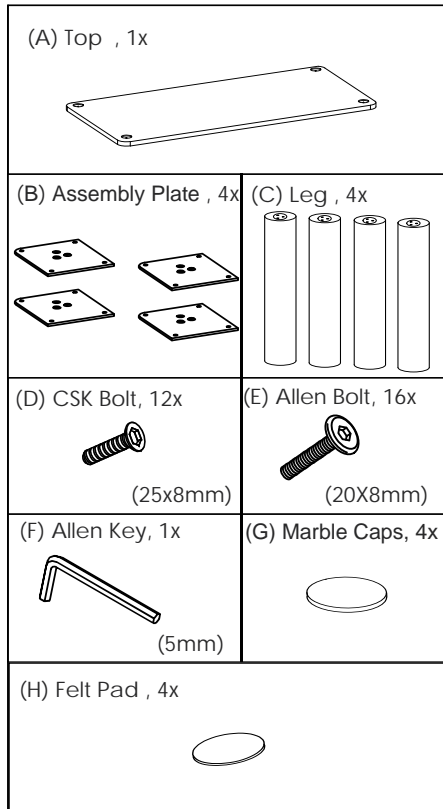
CENTURY DINING TABLE WHITE MARBLE LEG

JD-1049-18



THANK YOU FOR YOUR PURCHASE!

## PARTS AND HARDWARE.



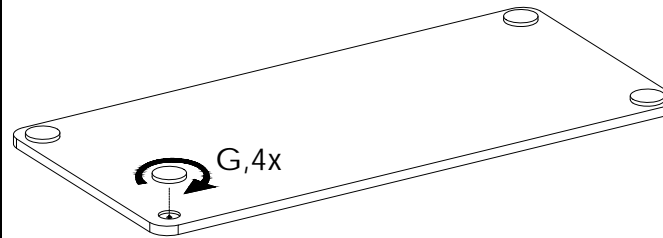
## NOTES.

**Please do not fully tighten all bolts until you finish assembling all parts. Once assembled, please go back to make the leg and post aligned then fully tighten all bolts. This will make assembly easier.**

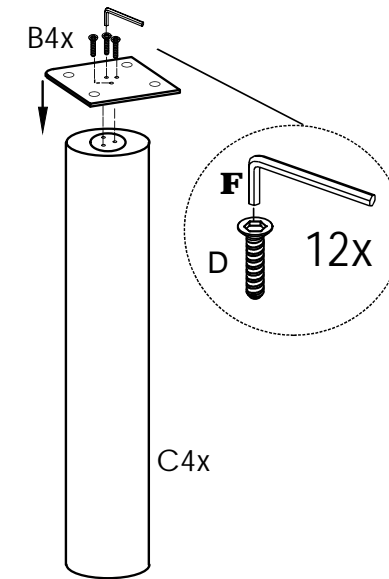
Thank you for purchasing this quality product! Be sure to check all packing material carefully for small part that may have come loose inside the carton during shipping.

**CAUTION:** The item is heavy, assembly should be performed by six people.

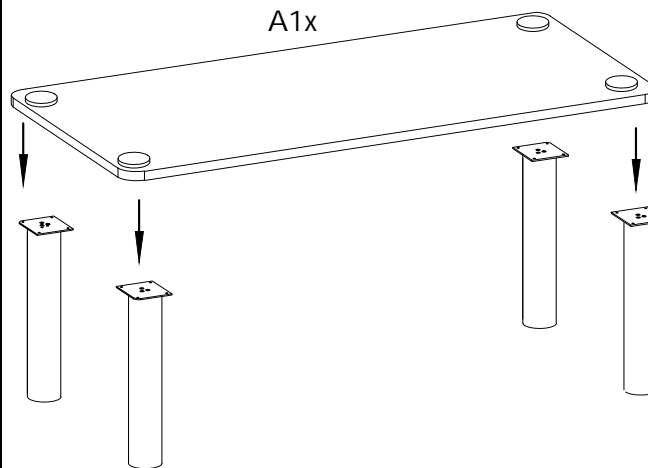
## STEP 1.



## STEP 2.



## STEP 3.



## STEP 4.

