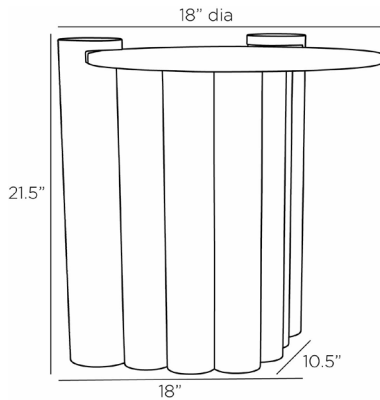


ARTERIOS

ADKINS END TABLE



FEI20
H: 21.5 IN, Dia: 18.00 IN
Antique Brass

Mixed materials lend a cool contrast to a contemporary end table. A circular top of ebony-finished mango wood balances on a quartet of antique brass clad legs. Crisscrossed with a hatchwork texture for visual interest. Cladding will vary.

APPEARANCE

| | |
|------------------|---------------|
| Material | Brass, Wood |
| Material Type | Clad, Mango |
| Finish | Antique Brass |
| Finish Will Vary | true |
| Top Coat/Sealant | true |

DIMENSIONS

| | |
|------------|--------------------------|
| Foot Print | W: 18 IN, D: 10.5 IN |
| Table Top | H: 0.5 IN, Dia: 18.00 IN |
| Clearance | 20.5" |

SHIPPING

| | |
|----------------|------------------------------|
| Product Weight | 32 LBS |
| Gross Weight 1 | 42.56 LBS |
| Shipping Box 1 | H: 27 IN, L: 24 IN, W: 24 IN |

ADDITIONAL INFO

| | |
|-------------------------|---------------|
| Table Tilt Test Results | Does Not Pass |
|-------------------------|---------------|

CONTRACT

| | |
|-------------------|-------|
| Contract Suitable | false |
|-------------------|-------|