

Please go to www.quirzel.com for product cleaning tips. Go to the **Care + Maintenance** selection.

Tools Required: Flathead screwdriver, Phillips screwdriver, pliers, wire cutters, wire strippers, electrical tape, safety glasses.

Light Source: (9) B10 Candelabra Base bulbs 60W Maximum, bulbs not included.

Fixture Hanging Height: Minimum Hanging Height is 40", Maximum Hanging Height is 138".

Estimated Assembly Time: 30-45 minutes

Preparation: Identify and inspect all parts before beginning installation. Check package content list and diagrams below to ensure all parts are present. If any parts are missing or damaged, do not attempt to assemble, install, or operate the fixture. Contact your original place of purchase.

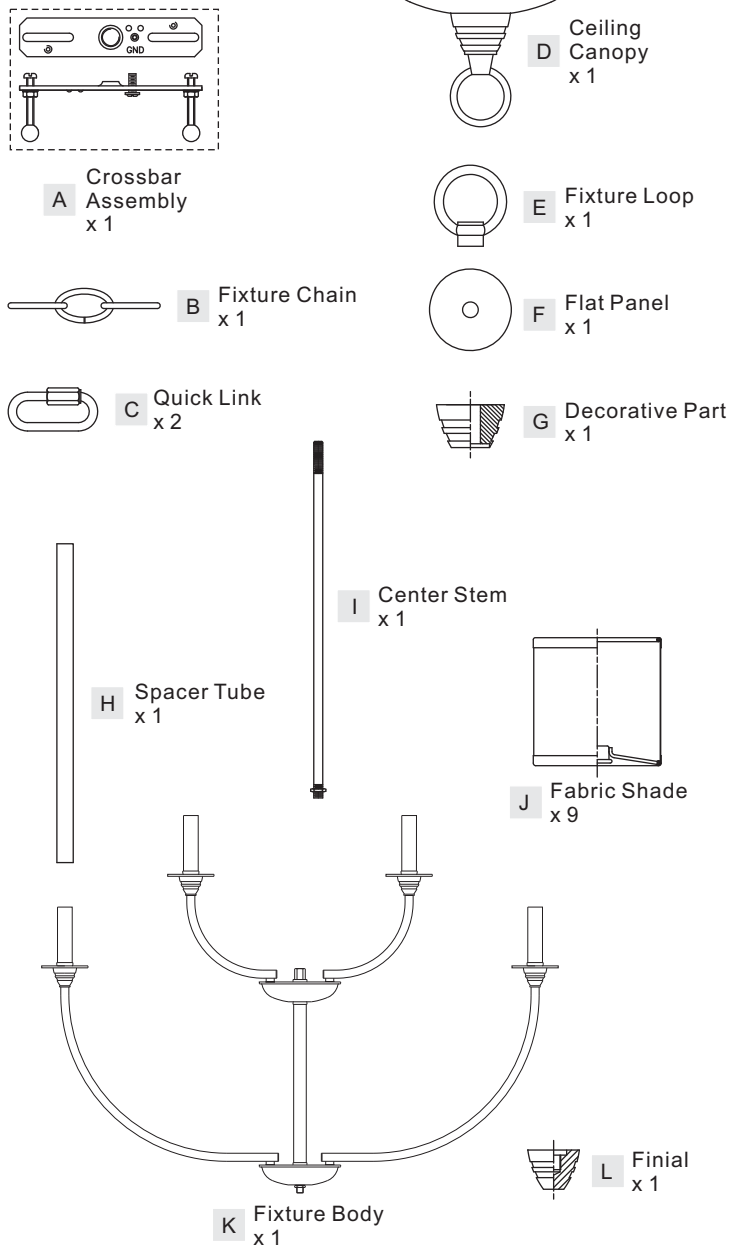
⚠ Warnings and Cautions

Turn off electricity at circuit breaker or main fuse box before installation. Consult a licensed electrician if in doubt.

These instructions are provided for your safety. It is very important you read them completely before installing the fixture. We strongly recommend that a licensed, professional electrician perform the installation.

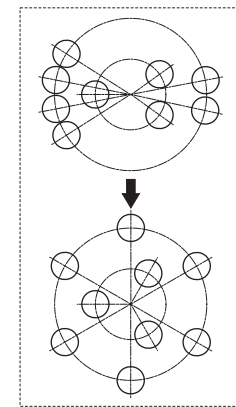
Disconnect fixture from power source before replacing bulbs. Make sure bulbs are given sufficient time to cool before removal.

Package Contents

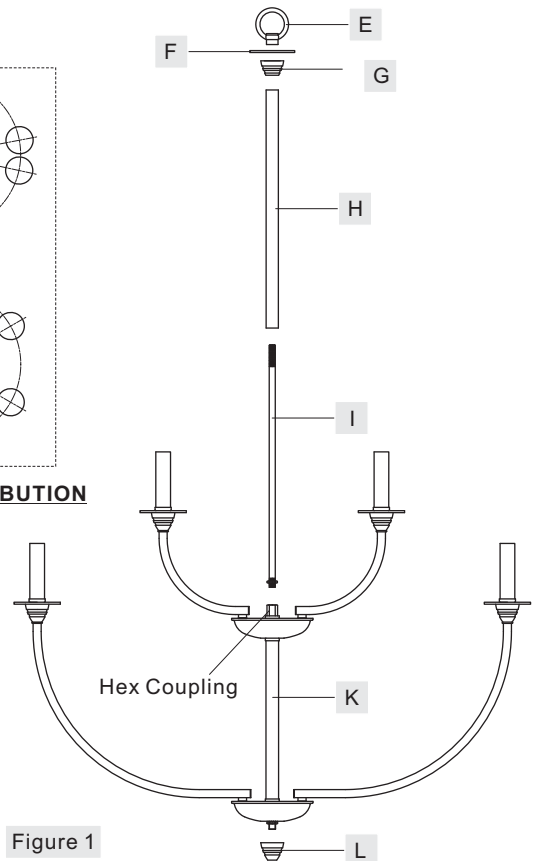


STEP 1 - Install Center Stem, Spacer Tube, Decorative Part, Fixture Loop and Finial

- (Refer to SOCKET DISTRIBUTION) Unfold support arms to proper locations.
- Thread the hex nut end of the Center Stem (I) onto the hex coupling on the Fixture Body (K). By using pliers, thread the hex nut against the hex coupling and hand tighten until snug.
- Place the Spacer Tube (H), the Decorative Part (G) and the Flat Panel (F) over the top end of the Center Stem (I). Secure by threading the Fixture Loop (E) onto the Center Stem (I). Hand tighten until snug.
- Thread the Finial (L) onto the bottom center of the Fixture Body (K) and hand tighten until snug.

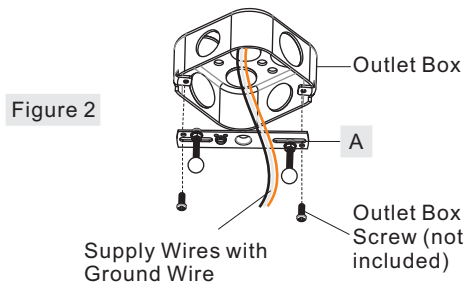


SOCKET DISTRIBUTION



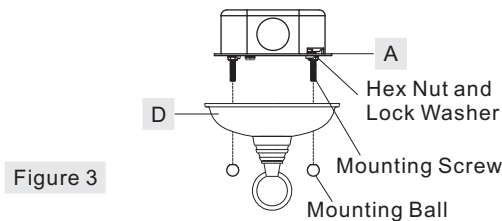
STEP 2 – Install Crossbar Assembly

A. Attach the Crossbar Assembly (A) to the Outlet Box with the head of the Green Ground Screw facing you. Secure it with Outlet Box Screws (not included). Tighten until snug.



STEP 3 – Test Fitting Ceiling Canopy to Crossbar Assembly

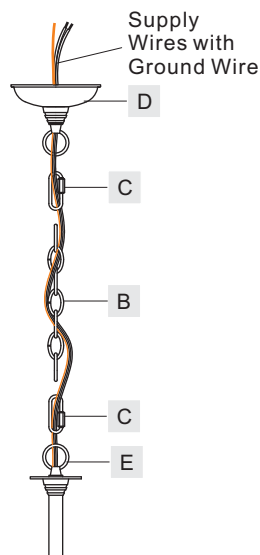
A. Remove mounting balls from the Crossbar Assembly (A). Fit the Ceiling Canopy (D) to the Crossbar Assembly (A) and secure with mounting balls. Note: The Ceiling Canopy (D) should be snug against the ceiling and the mounting balls. If not, adjust the length of the nipple on the Crossbar Assembly (A) by unscrewing the preassembled hex nut and lock washer and then screwing the mounting screws in or out of the crossbar until the correct length is achieved. Once the Ceiling Canopy (D) is secure, remove the mounting ball and Ceiling Canopy (D).



STEP 4 – Install the Fixture Chain and Ceiling Canopy

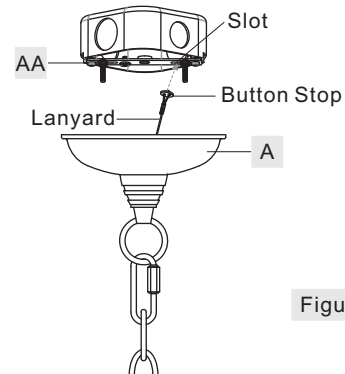
A. Adjust the Fixture Chain (B) to your desired length by removing links if needed. Put a cloth over the Fixture Chain (B) to protect the finish.
 B. Pull the supply wires with ground wire through the Fixture Chain (B) alternating links. After the wires are through the Fixture Chain (B), pull the supply wires with ground wire through the loop and Ceiling Canopy (D).
 C. Attach one end of the Fixture Chain (B) to the Fixture Loop (E) on the top of the fixture with one Quick Link (C). Lift the fixture and Fixture Chain (B) up and attach the other end of the Fixture Chain (B) onto the loop underside of the Ceiling Canopy (B) with another Quick Link (C).

Suggested chain length for Ceiling height :
 9' ceiling : use 5 links of chain and 2 quick links
 10' ceiling : use 15 links of chain and 2 quick links



STEP 5 – Attach the Lanyard

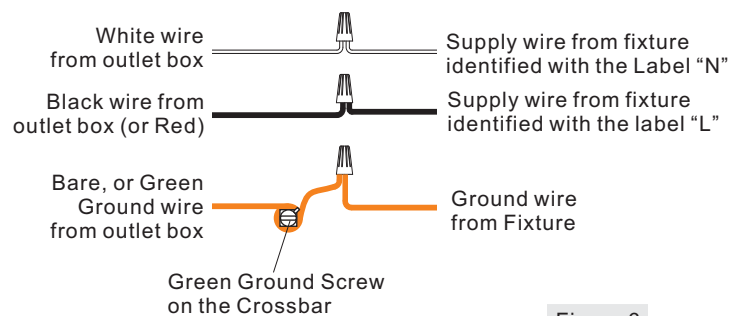
A. The purpose of the lanyard is to provide a means to support the fixture hands free from the junction box while connecting the electrical wires.
 B. Turn the Button Stop so it may be inserted into a Crossbar slot. Make sure the Button Stop is completely inside the Crossbar. Slowly release the fixture to make sure it is supported by the Button Stop. Proceed to the wiring steps in the next step. Once you are complete with the wiring, the Lanyard will push into the junction box when the fixture is placed for final mounting.



STEP 6 - Making the Wire Connections

A. Cut the wires leaving approximately 8" of wire extending from the Ceiling Canopy (B).
 B. Wrap bare or green ground wire around green ground screw on the crossbar, no less than 2 inches from the end of the wire. Tighten the green ground screw.
 C. Use standard wire connectors (not included) to make all wire connections. Twist connectors until wires are tightly joined together. Wrap each connection with approved electrical tape and carefully stuff all the connected wires into outlet box.

Note: If the electrical wire is going to be cut shorter than provided you will need to identify the "L" line wire and the "N" neutral wire before you cut the excess wire off. One is labeled N and the other labeled L. To do this separate the "L" line wire and the "N" neutral wire as far as you need to. Re-label the wire near where you want to make the cut. Be sure to mark the wire on the side of the fixture and not on the excess wire being cut and removed.



STEP 7 - Install the Ceiling Canopy

A. Carefully tuck all wires into the outlet box and position the ceiling canopy over the outlet box. Align the holes in the ceiling canopy with the mounting screws, then attach the ceiling canopy using the previously removed mounting balls. Hand tighten until snug.

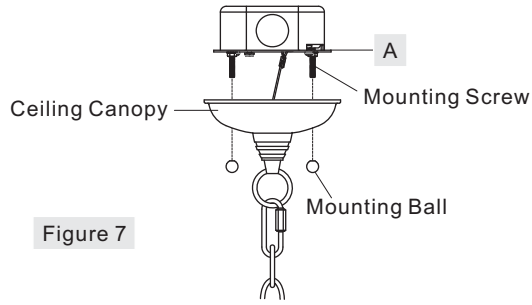


Figure 7

STEP 8 - Install Fabric Shades and Bulbs

A. Place the Fabric Shade (J) onto the candle cover.
 B. Insert bulbs onto sockets and screw snugly into place.
 Your fixture is now assembled and ready to use. Enjoy!

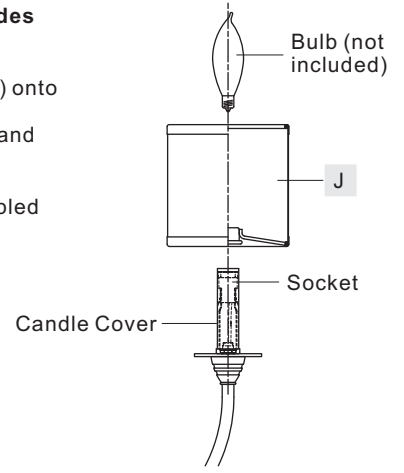


Figure 8

ADY5009OZ

FINISH: OLD BRONZE

NOTE: ALL DIMENSIONS ARE ROUNDED UP TO THE NEAREST 1/4"

