



CAL LIGHTING

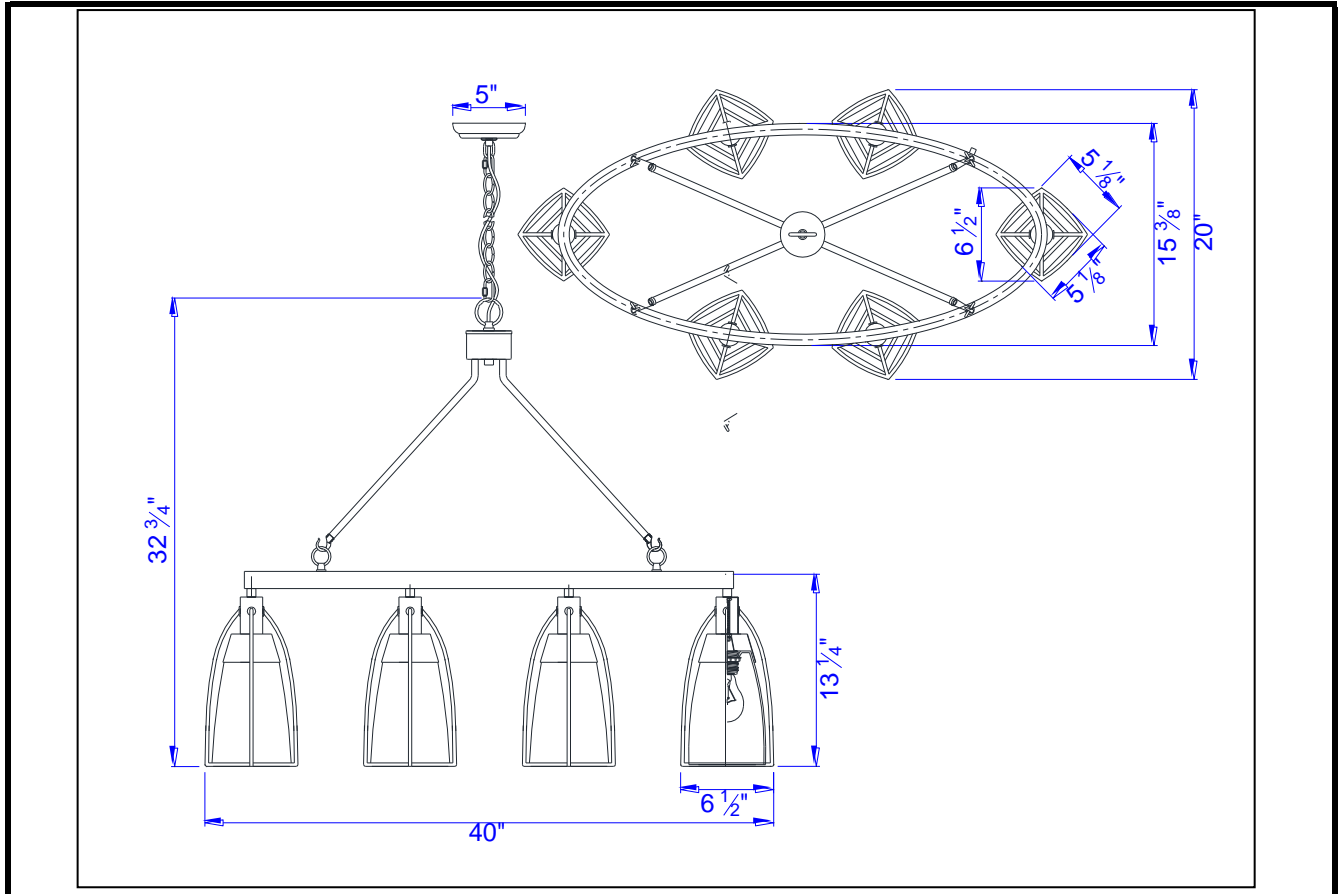
3625 E. Philadelphia St. Ontario CA. 91761 • Tel: 909.947.5200 • Fax:
909.947.5673 • www.calighting.com • service@calighting.com •
Specifications subject to change without notice

Type: _____

Project: _____

Catalog No.: _____

Lamp/Wattage: _____



- Model No:** FX-3612-6
- Description:** Channing Metal Chandelier
- Material:** Metal+Glass
- Finish :** Black
- Height:** 32 3/4"
- Width:** 40"x20"
- Wattage :** 60Wx6
- Socket :** Medium Base (E27)
- Bulb:** Incandescent,CFL
- Chain Length:** 6"
- Wire Length:** 10"
- Wire Color:** Black
- Shade No:**
- Material:** Glass
- Shade size:** Dia. 5 1/8"x H7 3/4"

Certificate :

