

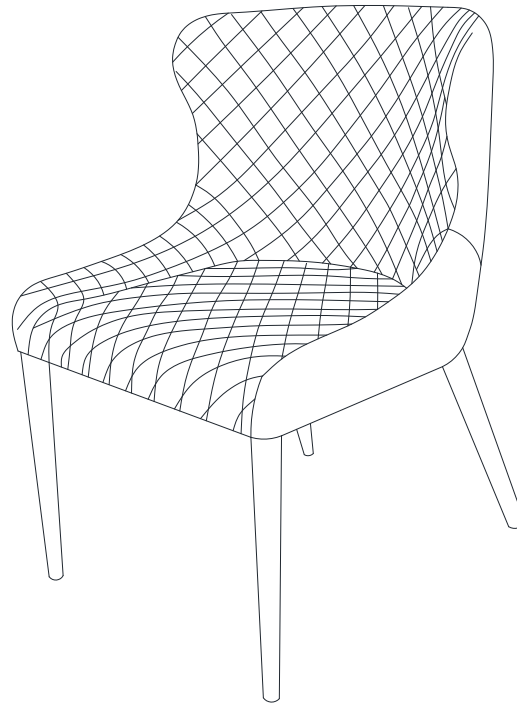
MOE'S

home collection

ASSEMBLY INSTRUCTIONS.

ETTA DINING CHAIR LIGHT BROWN

ER-2047-21



THANK YOU FOR YOUR PURCHASE!

PARTS AND HARDWARE.

1. CHAIR BACR/SEAT x 1



2. CHAIR LEG x 1



A. BOLT M6x45MM x 4 PCS



B . FLAT WASHER DIA
16MM x4 PCS



C. ALLEN KEY
M4 x 1 PCS

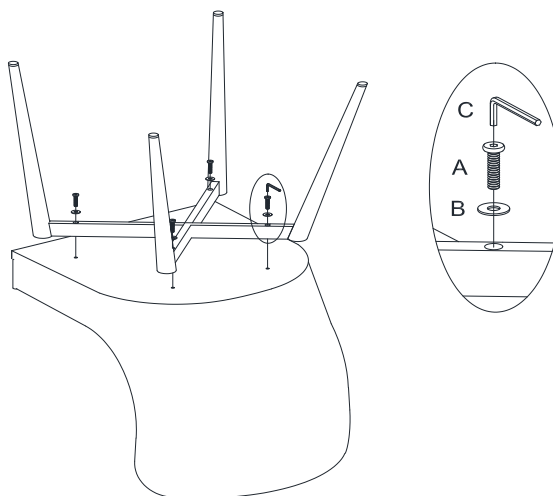


NOTES.

Thank you for purchasing this quality product! Be sure to check all packing material carefully for small part that may have come loose inside the carton during shipping.

CAUTION: The item is heavy, assembly should be performed by two people.

STEP 1.



STEP 2.

