

INSTALLATION INSTRUCTION FOR 5296

WARNING! SHUT POWER OFF AT FUSE OR CIRCUIT BREAKER .
AVERTISSEMENT! COUPER LE COURANT AU NIVEAU DES FUSIBLES OU DU DISJONCTEUR.

READ AND SAVE THESE INSTRUCTIONS

This fixture can be mounted in two ways:

PREPATION

1. Shut off the power at the fuse box or circuit breaker box. If necessary, remove the old fixture and all mounting hardware from junction box (not provided).
2. Carefully unpack your new fixture and lay out all the parts on a clear area. Take care not to lose any parts necessary for installation.

ASSEMBLING THE FIXTURE

3. Install ring (R) onto ring (Q), and secure with screws (P).

PENDANT:(Fig.1)

4. Determine desired hanging height and thread rods (K, L, M, N) to coupling (O). Then thread loop (J) onto rod (K). Pass wires carefully through each rod and loop (J).

SEMI FLUSH MOUNT:(Fig.2)

5. Thread loop (J) into coupling (O).

MOUNTING THE FIXTURE (Fig.1)

6. Secure crossbar (A) to junction box (Not provided) with junction box screws (B) (Size: #8-32*0.6"L). Thread nut (D) onto all thread (E) so five threads are exposed above nut (D). Insert lock washer (C) and thread all thread (E) into crossbar (A), then secure with nut (D). The side of crossbar (A) marked "GND" must face out.
7. Thread collar loop (G) onto all thread (E).
8. Slip lock collar (H) and canopy (F) over loop (J) and rods, allowing them to rest on fixture coupling (O).
9. Use quick link (I) to connect loop (J) and collar loop (G).
10. Feed fixture wires through collar loop (G), and all thread (E).

CONNECTING THE WIRES (Fig.3)

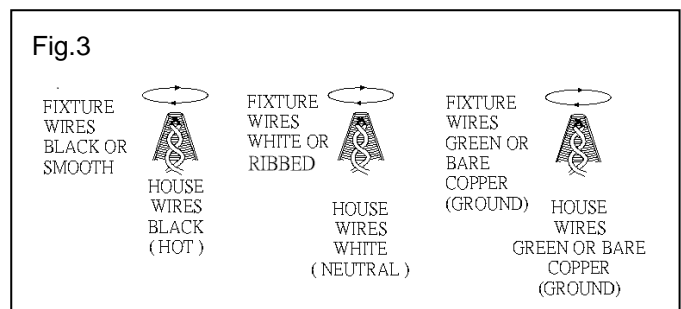
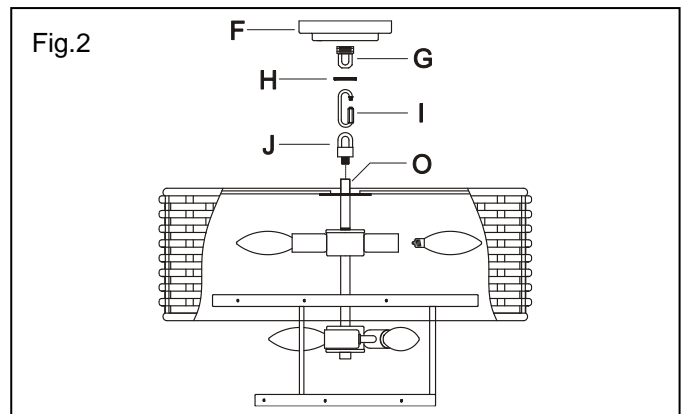
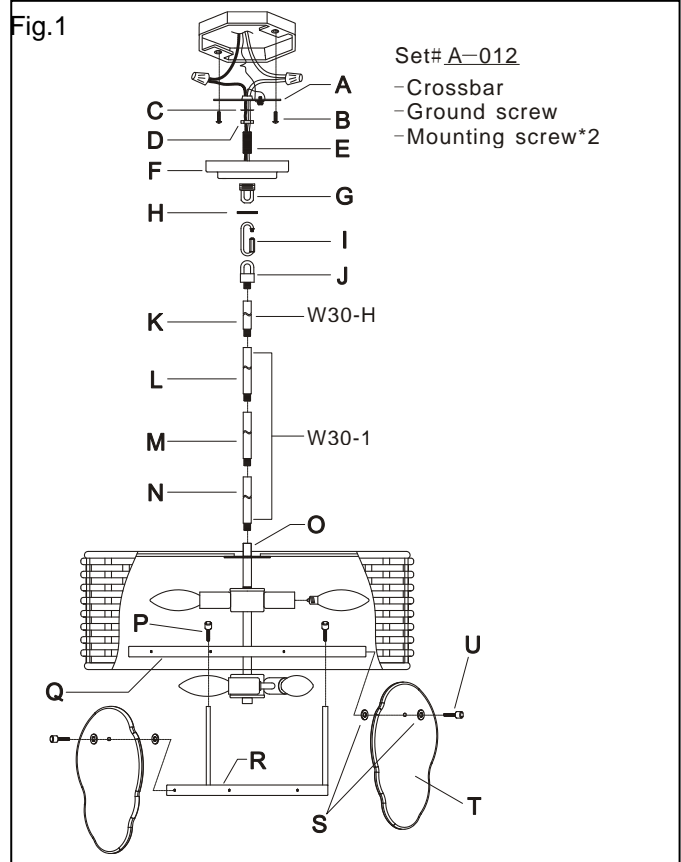
11. Connect the electrical wires as shown in Fig.2, making sure that all wire connectors are secured. If your junction box has a ground wire (green or bare copper), connect ground wires to it. Otherwise, connect ground wire directly to crossbar (A) and secure using green screw provided.
12. Tuck wire connectors neatly into junction box.

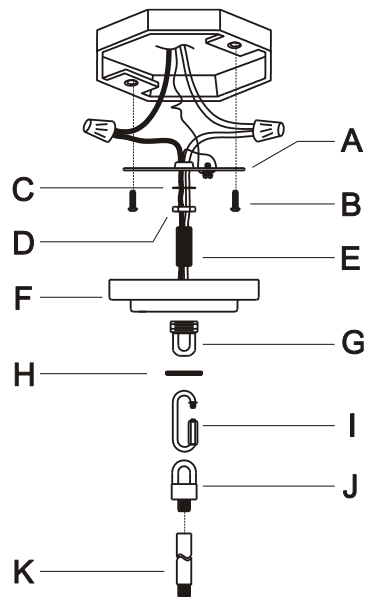
COMPLETING THE INSTALLATION (Fig. 1)

13. Raise canopy (F) to ceiling. Then raise lock collar (H) and thread onto the collar loop (G) protruding through canopy (F).
13. Install (6) six candelabra base bulbs up to 60 watts each or CFL or LED equivalent (not included) in accordance with the fixture specification. **(DO NOT EXCEED THE SPECIFIED WATTAGE!) (NE PAS DEPASSER LA PUISSANCE NOMINALE MAXIMALE!)**
14. Install glass plate (T) onto rings (Q, R), then secure with washer (S) and screw (U).

Your installation is now complete. Return the power to the junction box and test the fixture.

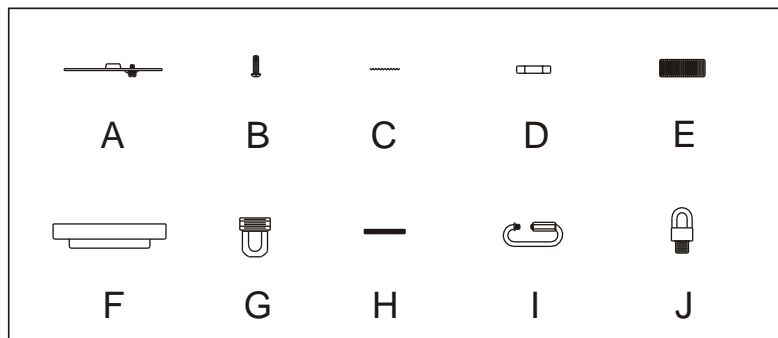
PENDANT OR SEMI FLUSH MOUNT





a. Hardware Bag:

- A. Cross Bar *1
- B. Junction Box Screws *2
- C. Lock Washer *1
- D. Hex Nut *1
- E. All Thread *1
- F. Canopy *1
- G. Collar Loop *1
- H. Lock Collar *1
- I. Quick Link *1
- J. Loop *1



b. Hardware Bag:

- L, M, N. Rod 12" *3
- K. Rod 6" *1

