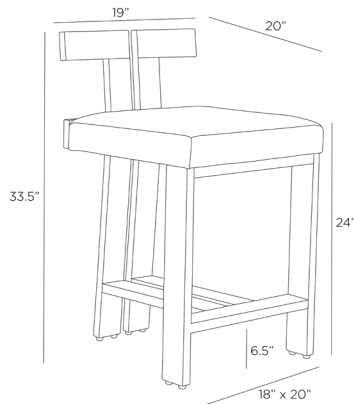


ARTERIOS

ENOLA COUNTER STOOL



FS115

H: 33.5 IN, W: 19 IN, D: 20 IN

Natural Linen

Contract Recommendations: Adding a lacquer coating provides additional protection

A modern mix of '70s American design with Zen architecture, this elegant stool has an Eastern appeal. Crafted of ribbed beech wood stained in ebony, the split back is accented with antique brass studs at very center. A padded seat of natural linen adds style and comfort.

APPEARANCE

Material	Brass, Linen, Wood
Material Type	Beech
Finish	Antique Brass, Ebony
Top Coat/Sealant	true
Textile Contract Suitability	Not Contract Suitable

DIMENSIONS

Foot Print	W: 18 IN, D: 20 IN
Leg	H: 21.5 IN, W: 1, D: 3
Seat Back	H: 9 IN, W: 18, D: 1
Seat Cushion Thickness	4 IN
Seat	W: 19 IN, D: 19 IN
Seat Height	24 IN
Seat	W: 19 IN, D: 19 IN
Clearance	6.5"
Diagonal Dimension	39 IN

SHIPPING

Product Weight	30.4 LBS
Gross Weight 1	37.71 LBS
Shipping Box 1	H: 27.5 IN, L: 24 IN, W: 36 IN

ADDITIONAL INFO

Leg Or Foot Application	Glides
Fabric Compliance	NFPA-260, TB117-2013
Fabric Rub Count	5,000
Swatch Number	L02SW
Fabric Cleaning Code	S - dry clean only
Fabric Content	100% Linen
Yardage To Reupholster	1 Yard

CONTRACT

Contract Suitable	Adding a lacquer coating provides additional protection
Fabric Composition	100% Linen