



CAL LIGHTING

3625 E. Philadelphia St. Ontario CA. 91761 • Tel: 909.947.5200 • Fax:
909.947.5673 • www.calighting.com • service@calighting.com •
Specifications subject to change without notice

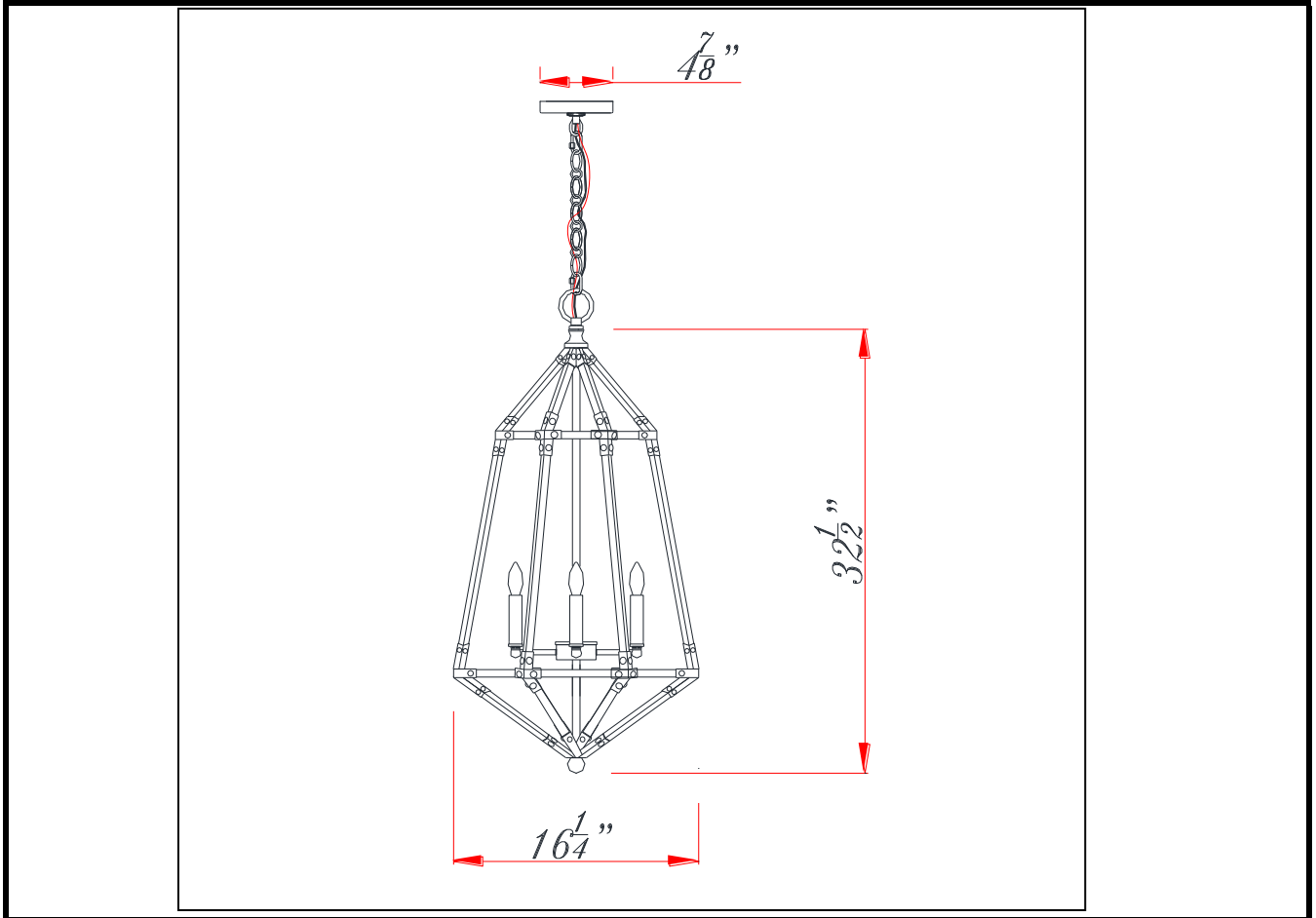
Type: _____

Project: _____

Catalog No.: _____

Lamp/Wattage: _____

Drawing:



- Model No:** FX-3594-6
- Description:** 40W x 6 Denmark metal pendant/chandelier
- Material:** Metal
- Finish :** Dark Bronze
- Height:** 32 1/2"
- Width:** 16 1/4"
- Wattage :** 40WX6
- Socket :** Small Base (E12)
- Bulb:** Incandescent
- Chain Length:** 6'
- Wire Length:** 10'
- Wire Color:** black
- Shade No:**
- Material:**
- Shade size:**

Certificate : 