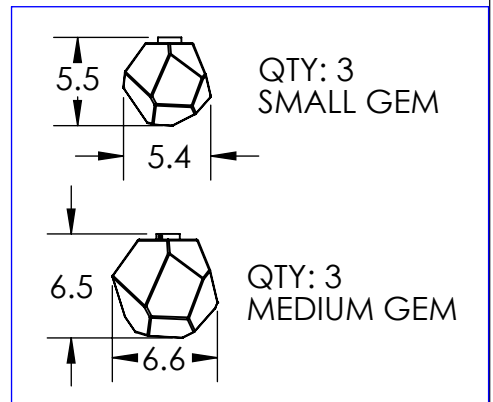
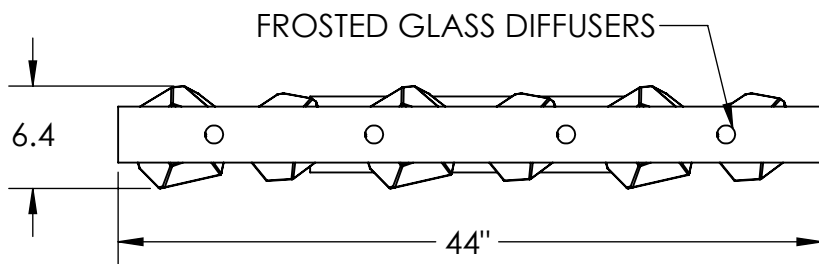
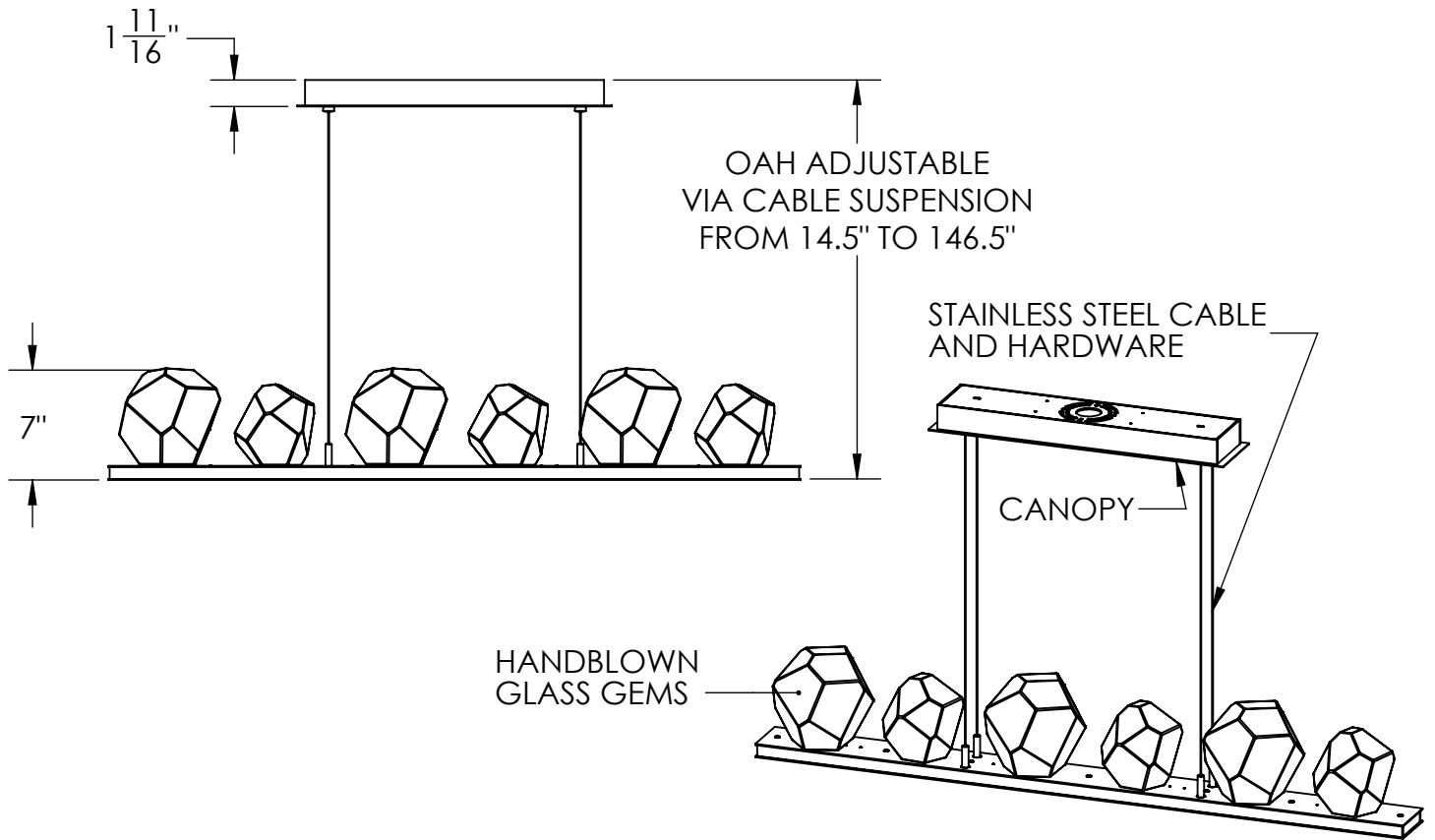


Collection: GEM

Product #: PLB0039-0B



All dimensions are shown in inches unless otherwise stated.

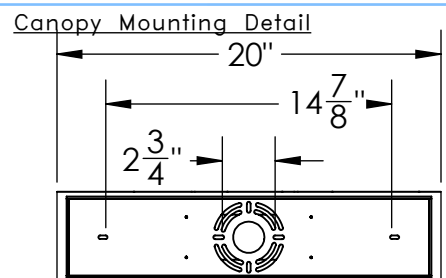
Visit [hammertonstudio.com](http://hammertonstudio.com) for product options and specifications.

3/30/2021 ©

Mounting Packet: X	Weight(lbs.): 35	Electrical Type: LED	CCT: 2700/3000 K
UL Location: DRY		Elec. Qty: 10	Wattage: 36
Finish: SEE WEB SITE FOR OPTIONS		Source Lumens: Up: 1075	Down: 1370
Top Diffuser: CLOSED GLASS		Forward/Reverse Phase Dimmable To 1%	
Bottom Diffuser: FROSTED GLASS		CRI: 93+	Power Factor: >0.9

All fixtures created by Hammerton are handcrafted by artisans. Dimensions may vary up to 7/8".

© Copyright 2021. All rights in design, detail or invention of this drawing are reserved as the property of Hammerton. Any imitation or adaptation without written consent is strictly prohibited.



MOUNTS TO J-BOX AND CEILING