



# CAL LIGHTING

3625 E. Philadelphia St. Ontario CA. 91761 • Tel: 909.947.5200 • Fax:  
909.947.5673 • www.calighting.com • service@calighting.com •  
Specifications subject to change without notice

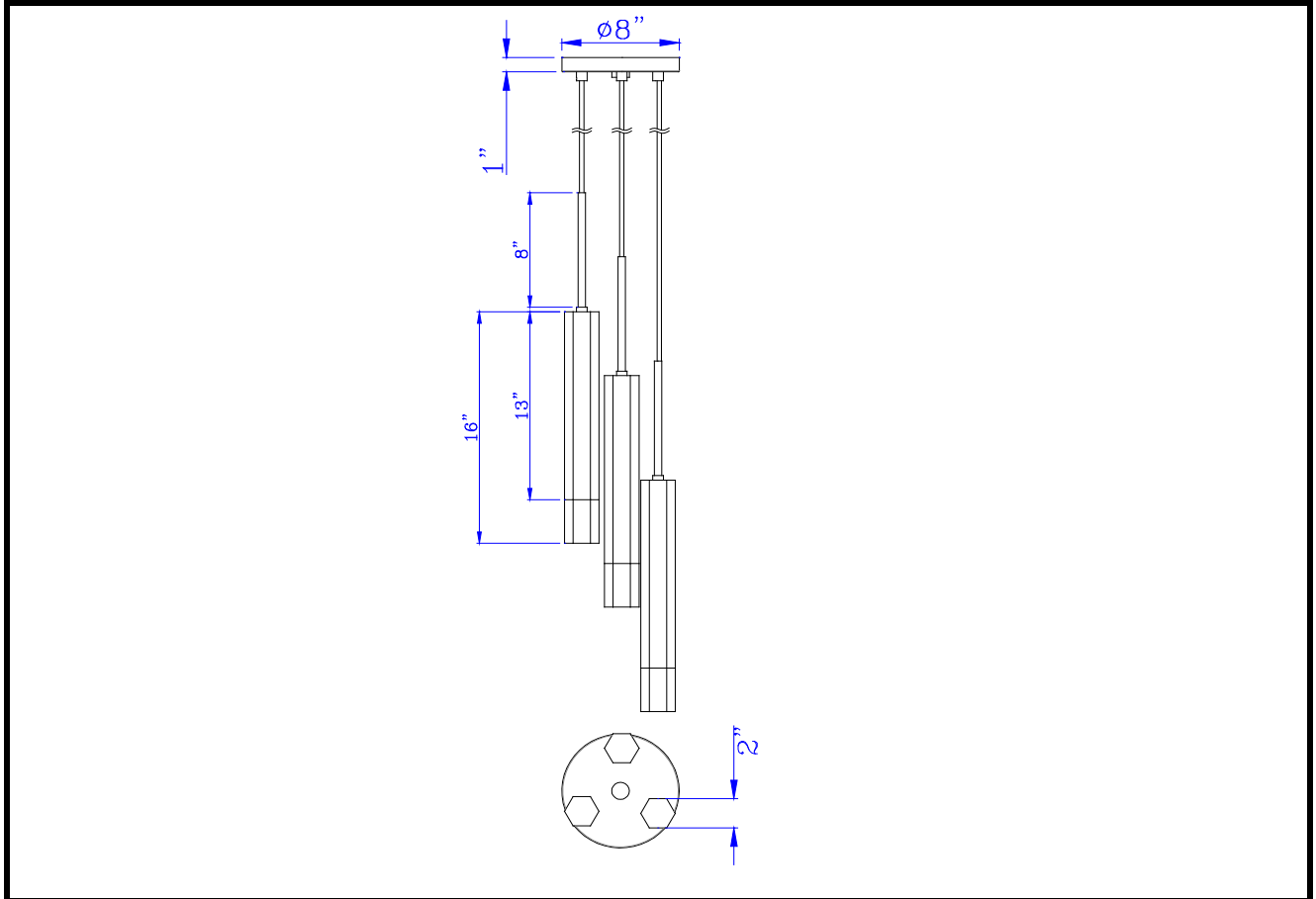
Type: \_\_\_\_\_

Project: \_\_\_\_\_

Catalog No.: \_\_\_\_\_

Lamp/Wattage: \_\_\_\_\_

Drawing:



**Model No:** FX-3723-3P-GM  
**Description:** Troy LED dimmable hexagon aluminum casted 3 lights pendant with glass diffuser  
**Material:** aluminum casted /Glass  
**Finish :** Gun Metal  
**Height:** 24"  
**Width:** 8  
**Reach:** 8  
**Wattage :** 7W X 3  
**Socket :** LED  
**Bulb:** LED  
**Wire Length:** 6'  
**Wire Color:** Black  
**Color Temp:** 2800K  
**Lumen :** 380 X 3  
**CRI :** 90  
**Efficacy:** 50  
**Rated Life :** 30,000 hours  
**Warranty:** Three Years  
**Certificate :** 