

GAMA SONIC[®]

SOLAR LIGHTING




FARMHOUSE SOLAR WALL LIGHT

Part #: 130010

US Patent #9458970

Version 1.1

 Please read the instruction manual carefully to obtain the best results from your purchase.

Thank you for your purchase. GAMA SONIC® solar charged lights are brighter and last all night with a full day solar charge. Unique design, superior light output and numerous installation options confirm the outstanding value of our product.

GAMA SONIC® has been recognized as a worldwide leader in the lighting industry for over 20 years. The company also offers unique multi-purpose rechargeable products that range from party lights to emergency lighting products.

For technical Assistance/Warranty Claims/Replacement Parts
Toll Free Number: +1-800-835-4113 (only within the US),
Email: productsupport@gamasonic.com

visit our website or download the latest version of your instruction manual:
www.gamasonic.com Or www.gamasonic.com/user-guides

NOTE: If you are replacing an existing gas/electric wall light, you must consult a certified technician to disconnect the current outlet before installation.



Solar Wall Light Location

For optimum light duration throughout the night, it is very important to mount your solar lamp in a spot where it will receive the maximum amount of direct sunlight throughout the day.

NOTE: For best results, the solar light must be charged in the “ON” position for at least 2 days of full direct sunlight.

Installation Instructions

Step 1: Install the bulb

NOTE: The following steps are for reference only. Consult your local hardware store for the best installation method for your surface.

Install the new GS Solar LED Bulb by turning into the bulb socket clockwise (Fig. 1).

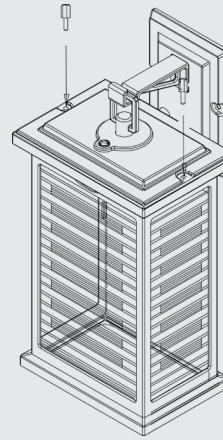


Fig. 1

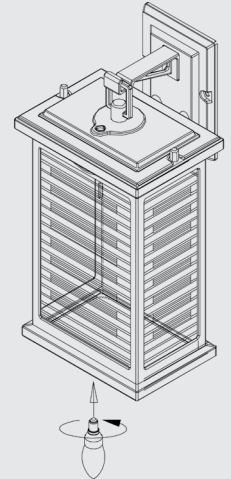


Fig. 2

Step 2: Turn the light ON

- 1 Unscrew the two screw caps and detach the top (Fig 2).
- 2 Turn the operation switch to the LOW or HIGH position according to your preferences (Fig 3):
 - a (Low) For softer light and longer duration.
 - b (High) For brighter light output.
- 3 Reattach the top and secure it with the two screw caps.

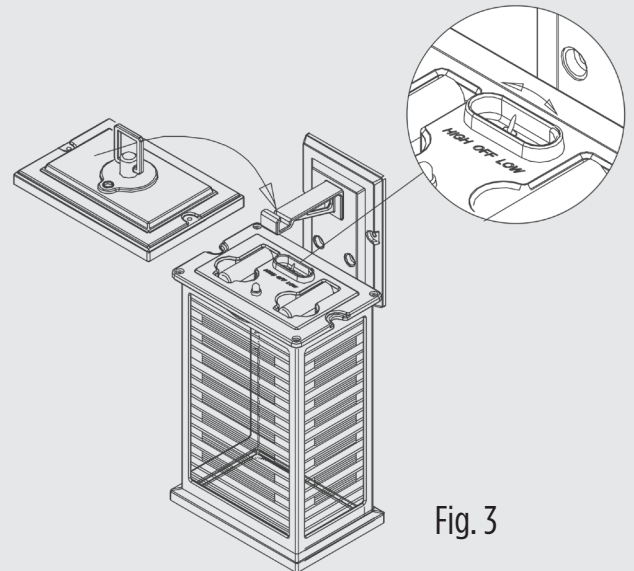


Fig. 3

NOTE: The solar lamp will automatically operate at dusk.

NOTE: The following steps are for reference only. Consult your local hardware store for the best installation method for your surface.

Step 3: Mounting the lamp to the wall

- 1 Use a drill to make two holes in the wall where the lamp will be mounted. (use the wall mount as a template for drilling locations)
- 2 Place the anchors into the holes and place the lamp in line with the holes.
- 3 Secure using the provided screws.

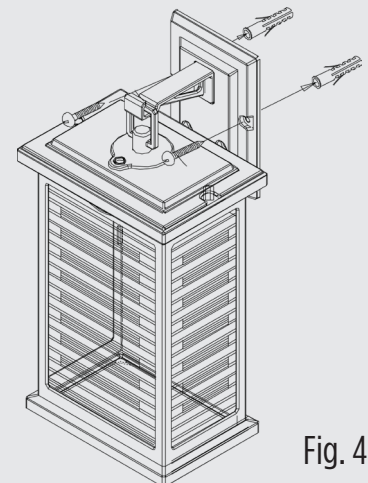


Fig. 4



After several years of use, the batteries may need replacing.

1. Unscrew the two screws and detach part (A) from part (B). Make sure the ON/OFF switch (Fig. 2) is in the OFF position.
2. Unclip the connector and remove the old battery. Make sure the new battery is high quality 2x 3.2V/1500mAh Li-ion Rechargeable battery with connector.
3. Clip on new battery and install into the battery compartment.
4. Reattach part (A) to part (B) and secure with the 2 screws.

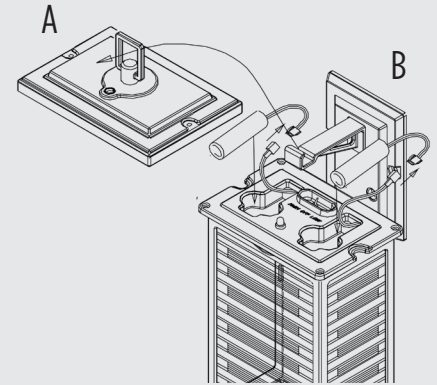


Fig. 5

**** Gama Sonic batteries are available at www.gamasonic.com**

You can purchase it directly at:

<https://gamasonic.com/product-category/parts-and-accessories/>

Maintenance

Clean the solar module regularly with a damp towel to guarantee optimum performance of the solar panel. Do not use any type of solvent for cleaning and be careful not to put too much pressure on the module while cleaning.

Troubleshooting

If your solar charged light does not come on at dusk despite observance of all the instructions, please try the following steps:

1. Make sure that the solar light is not being affected by any other light source.
2. Ensure the solar light is not positioned in the shade during the day.
3. Make sure the switch in the lamp head is in NOT on the "OFF" position.
4. Check that the batteries are installed correctly.
5. Check that the GS Solar LED Light Bulb is installed correctly



WINTERTIME TIPS: Keep snow and debris cleaned off the solar panels so the batteries can recharge. If the lights are covered with snow for an extended period of time, after the snow melts, allow all the batteries to charge in full, direct sunlight for at least 6 hours to their maximum capacity.

WARNING: Please keep out of reach of children. Do not dispose of Li-Ion battery in the regular trash, municipal waste stream or by fire as batteries may leak or explode. Do not open, short circuit, or mutilate batteries as injury may occur. Preserve our environment by recycling Li-Ion batteries or disposing of them in accordance with local, state and federal regulations. Do not mix old and new batteries.

