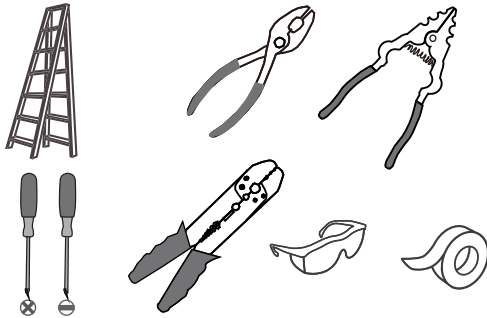
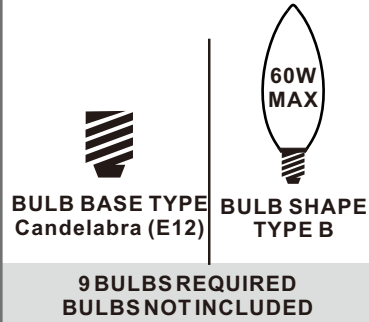


**Tools Required**



**Light Source**



**Fixture Height Adjustable  
36" to 84"**

**⚠ Warnings and Cautions**

Turn off the electricity at the circuit breaker before installation. Consult a licensed electrician if in doubt about installation.

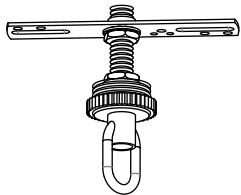
Turn off power to the fixture and allow the bulbs to cool before replacing.

**Package Contents**

**Preparation:** Identify and inspect all parts before beginning the installation.

Missing or damaged parts? Contact your original place of purchase.

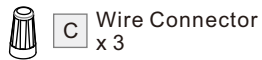
**PARTS BAG**



**A** Crossbar Assembly x 1



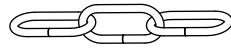
**B** Outlet Box Screw x 2



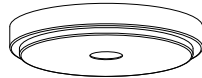
**C** Wire Connector x 3



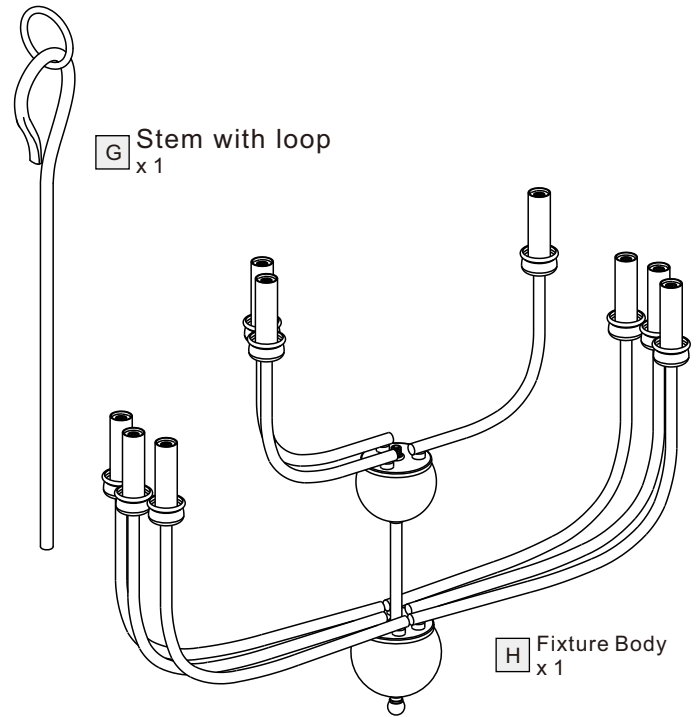
**D** Quick Link x 2



**E** Fixture Chain x 1



**F** Ceiling Canopy x 1



**G** Stem with loop x 1

**H** Fixture Body x 1

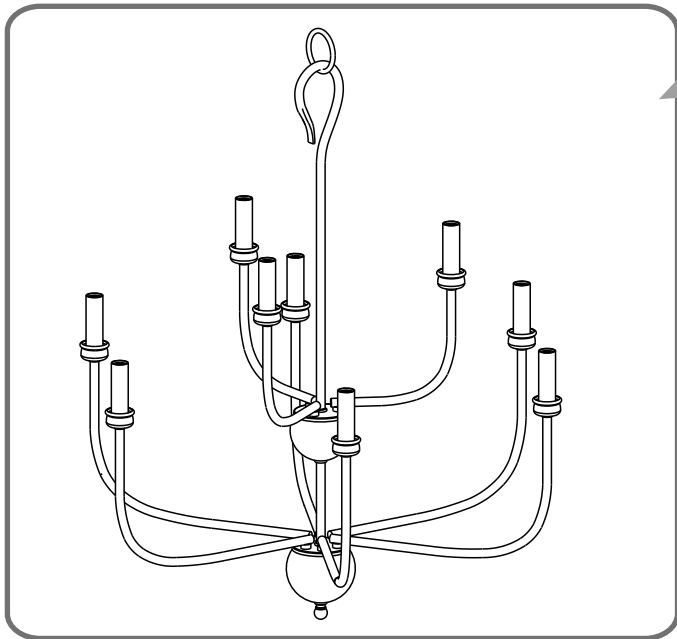
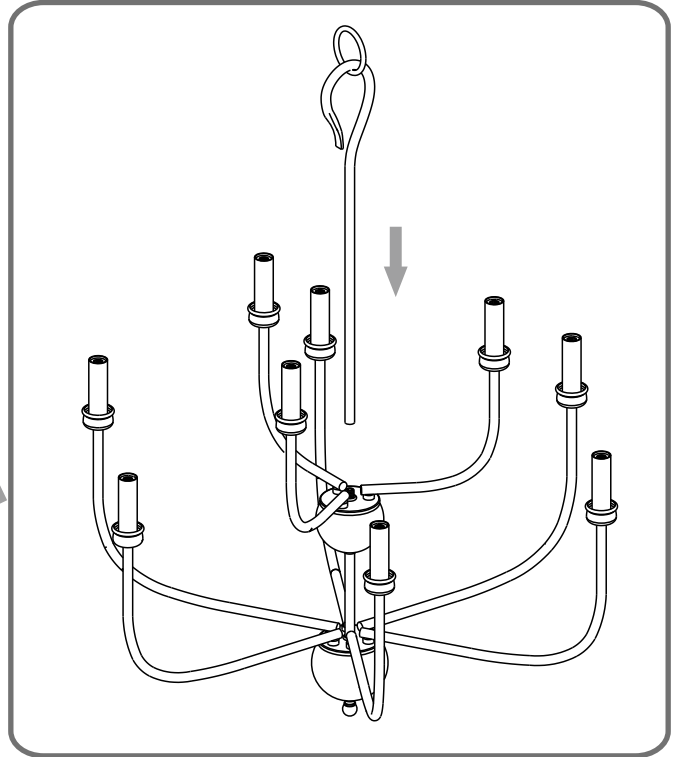
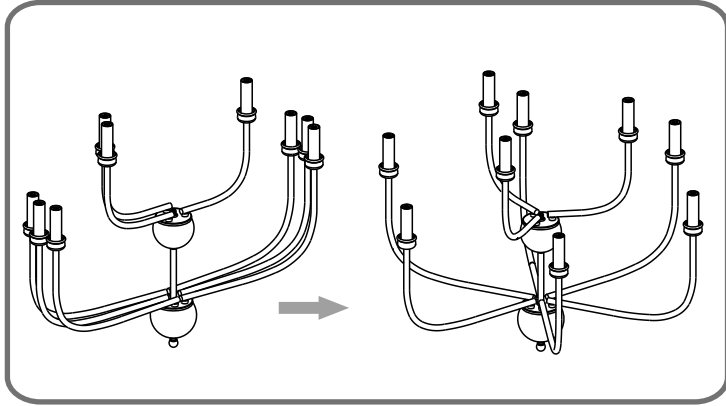
**Table of Contents**

Fixture Bdy	Crossbar Assembly	Fixture Chain	Wiring	Ceiling Canopy	Bulb
STEP 1	STEP 2	STEP 3	STEP 4	STEP 5	STEP 6

**STEP 1**

1

2



**STEP 2**

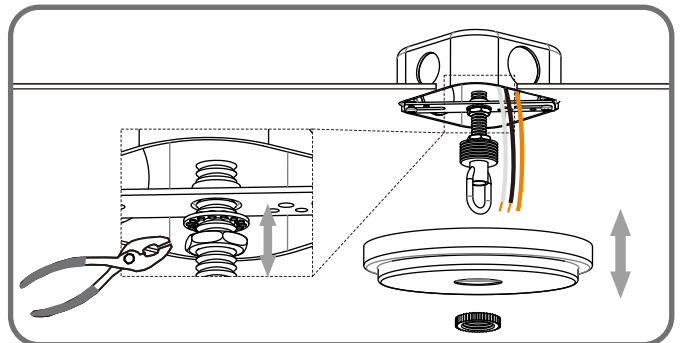
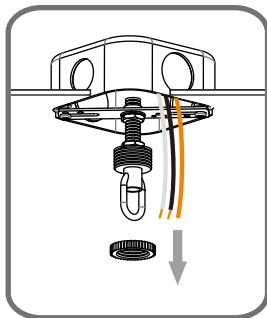
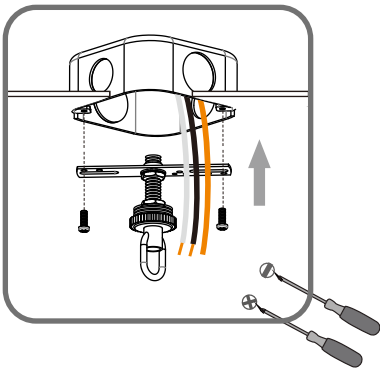
1

2

3

**Step 1**  
Install crossbar assembly

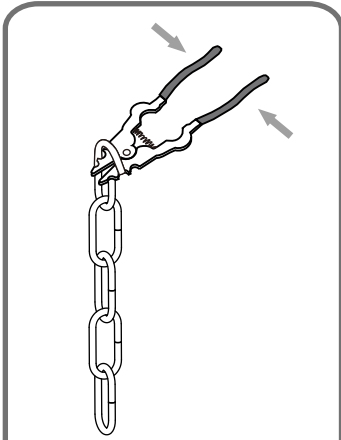
**Step 2 - 3**  
Test fitting ceiling canopy to nipple



# STEP 3

1

**Step 1**  
Adjust fixture chain length

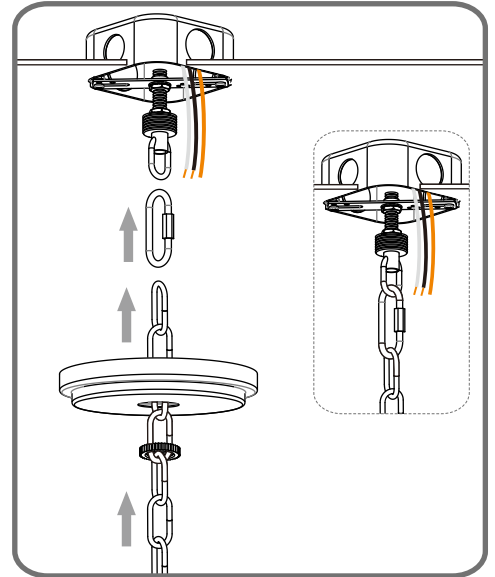
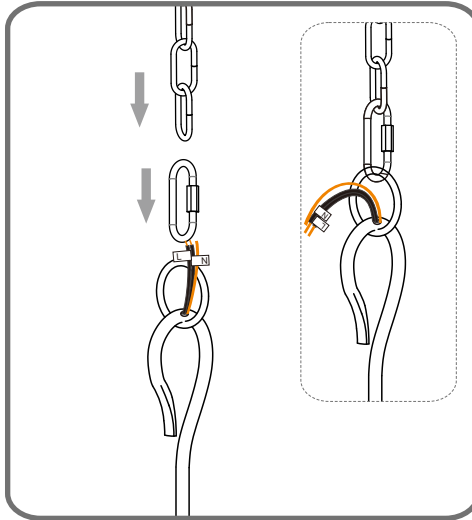


**Suggested Chain Length:**

- 8' ceiling: 6" Chain
- 9' ceiling: 18" Chain
- 10' ceiling: 30" Chain

2

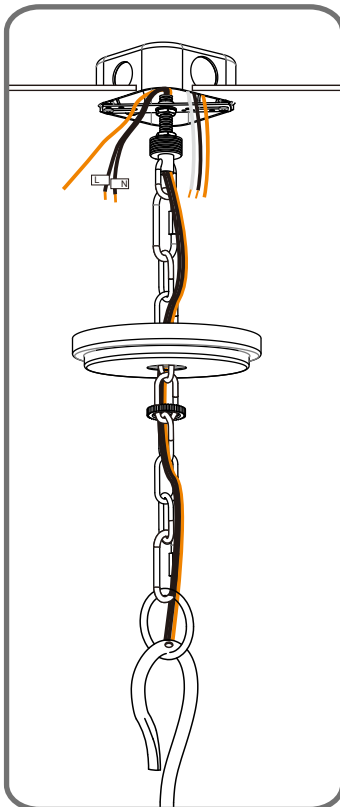
**Step 2 - 3**  
Install Fixture Chain



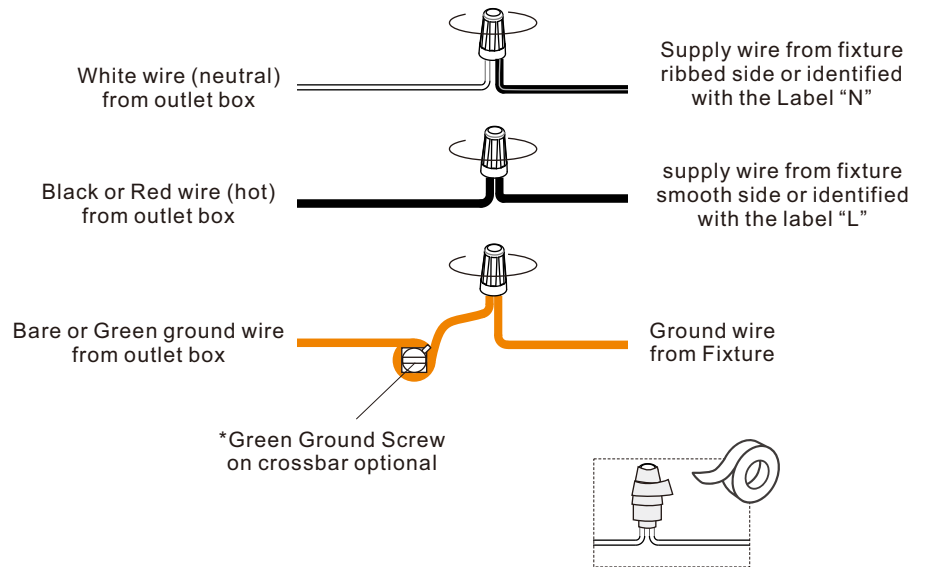
# STEP 4

1

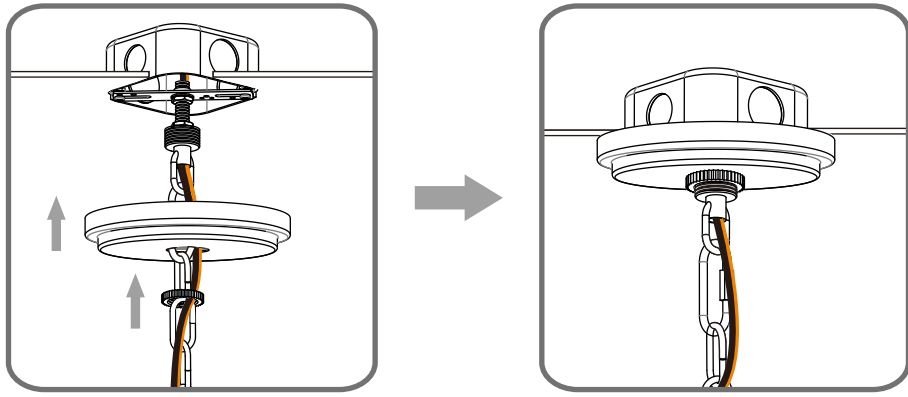
**Step 1**  
Feed the fixture wires through the loop



2



**STEP 5**



**STEP 6**

