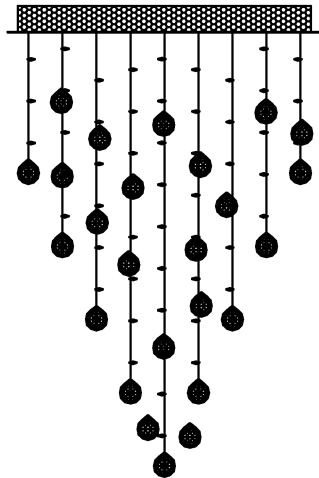


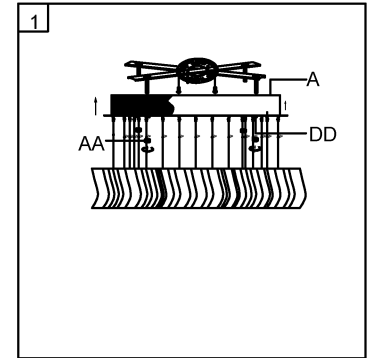
Trade Mark:
CRYSTAL WORLD INC

Product Name: Ceiling lamp
Model :6601C24C(H35)
120Vac, 60Hz,AC ONLY
Lamp size:Ø24"X36"H





CEILING LAMP ASSEMBLY INSTRUCTIONS


1. Place fixture(A) onto mounting screws (DD).secure with cap nuts (AA).

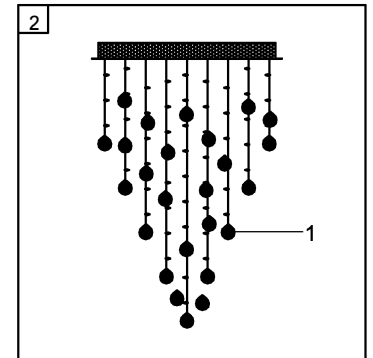


Hardware Used

- AA Cap nut  X 4
DD Mounting screw  X 4

2. Please open the clear plastic bag carefully.and put the crystal(1) to the fixture .

- 1
 40mm*1PCS
60PCS



3. Install light bulbs (not included).

- Use bulb
120V GU10  9*35W Max.

