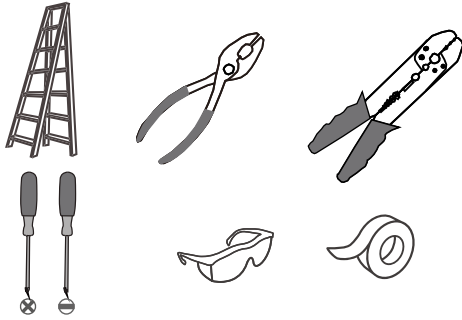
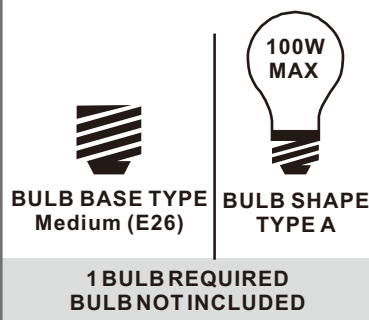


**Tools Required**



**Light Source**



**Fixture Height Adjustable  
13.75" to 51.25"**

**⚠ Warnings and Cautions**

Turn off the electricity at the circuit breaker before installation. Consult a licensed electrician if in doubt about installation.

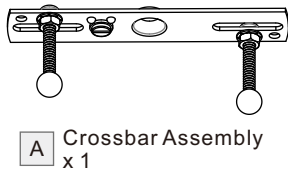
Turn off power to the fixture and allow the bulbs to cool before replacing.

**Package Contents**

**Preparation:** Identify and inspect all parts before beginning the installation.

Missing or damaged parts? Contact your original place of purchase.

**PARTS BAG**



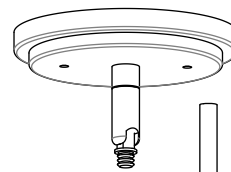
**A** Crossbar Assembly x 1



**B** Outlet Box Screw x 2



**C** Wire Connector x 3



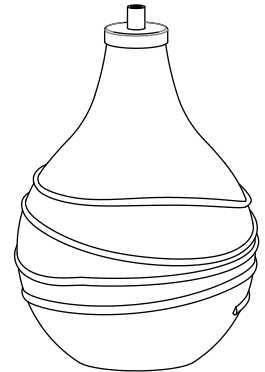
**D** Ceiling Canopy Assembly x 1



**E** 6" L Rod x 2



**F** 12" L Rod x 2



**G** Fixture Body x 1

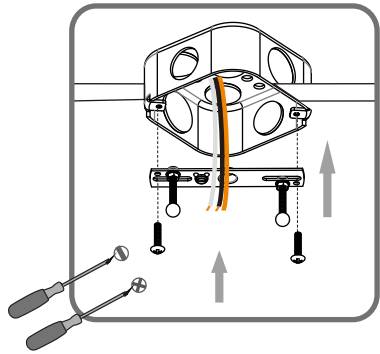
**Table of Contents**

Crossbar Assembly	Ceiling Canopy Assembly & Downrod	Wiring	Ceiling Canopy	Bulb
STEP 1	STEP 2	STEP 3	STEP 4	STEP 5

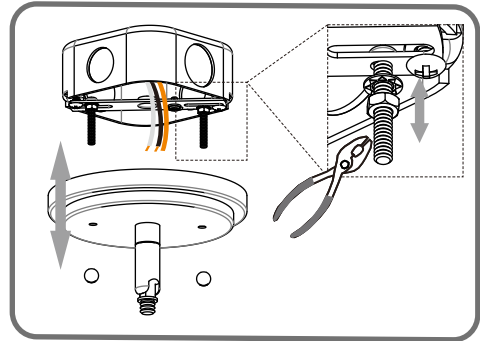
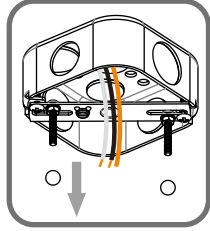
**STEP 1**



**Step 1**  
Install crossbar assembly



**Step 2 - 3**  
Test fitting ceiling canopy to mounting screws



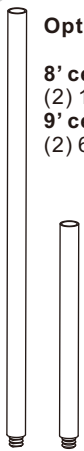
**STEP 2**

**OPTION 1**

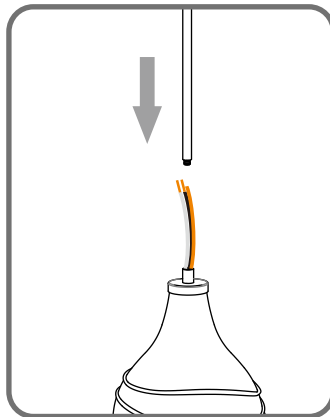
Pendant — QPP4019BN, QPP4019C, QPP4019OZ

**Optional Rods**

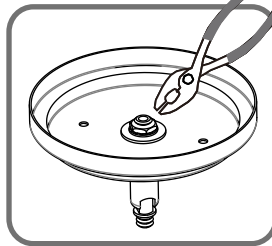
8' ceiling:  
(2) 12" L rods  
9' ceiling:  
(2) 6" L + (2) 12" L rods



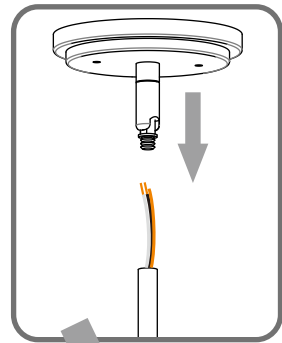
**Install rods**



**Tighten hex nut inside of the ceiling canopy**



**Install Ceiling Canopy**

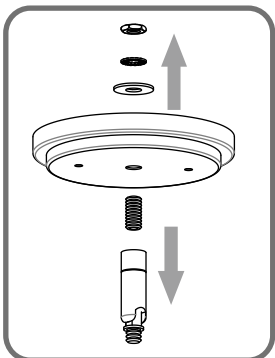


**OPTION 2**

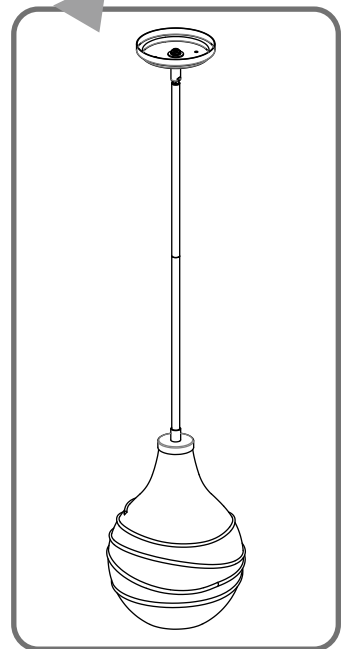
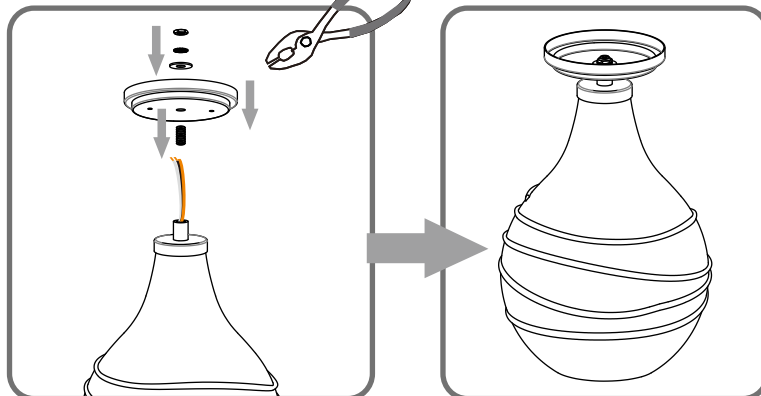
Semi-flush — QSF4019BN, QSF4019C, QSF4019OZ



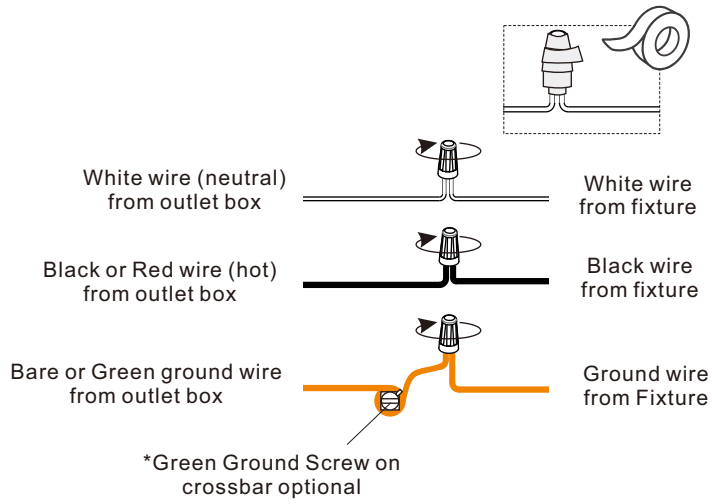
**Remove swivel**



**Install ceiling canopy**



### STEP 3



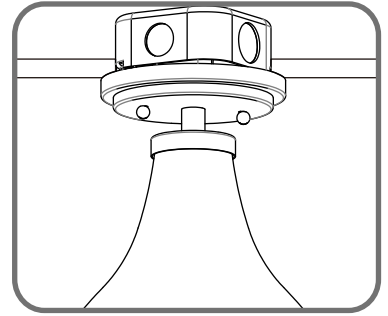
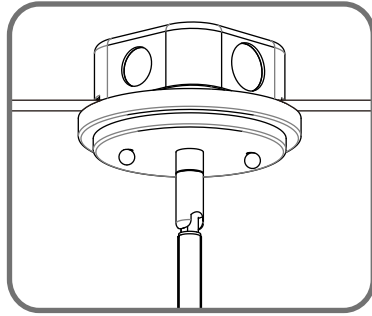
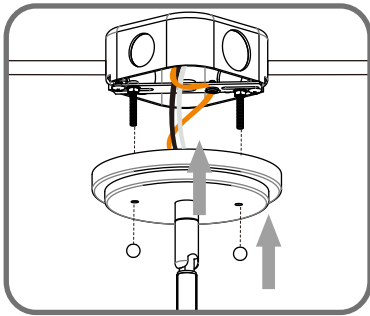
### STEP 4

#### OPTION 1

QPP4019BN, QPP4019C, QPP4019OZ

#### OPTION 2

QSF4019BN, QSF4019C, QSF4019OZ



### STEP 5

#### OPTION 1

QPP4019BN, QPP4019C, QPP4019OZ

#### OPTION 2

QSF4019BN, QSF4019C, QSF4019OZ

