

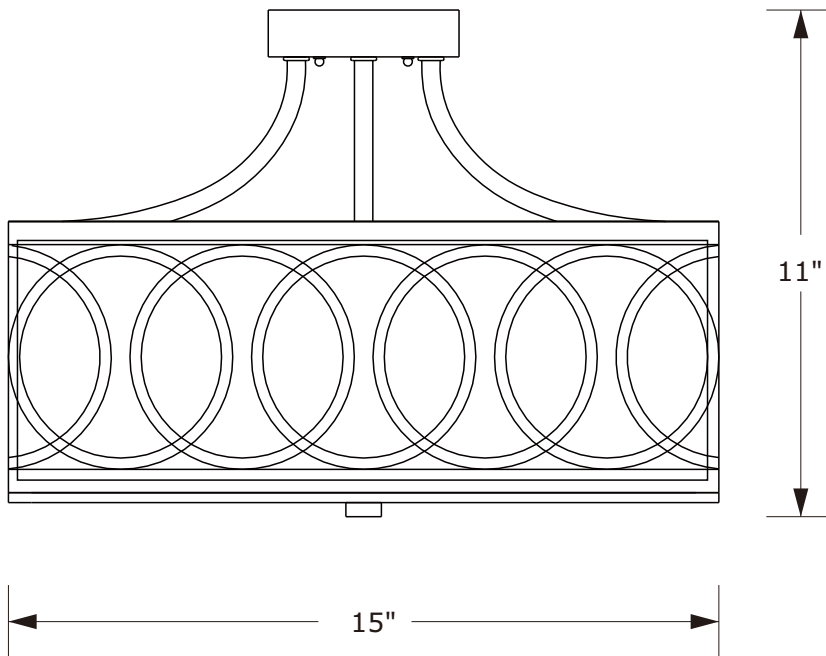
# CRYSTORAMA

LIGHTING THE WAY FOR SIXTY YEARS

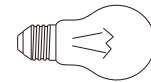


Crystorama.com

## ASSEMBLY INSTRUCTION MODEL #285-SA



All electrical components must be installed by a licensed electrician in accordance with the National Electric Code and the appropriate local electrical codes.



You will need 3 -Medium Bulb

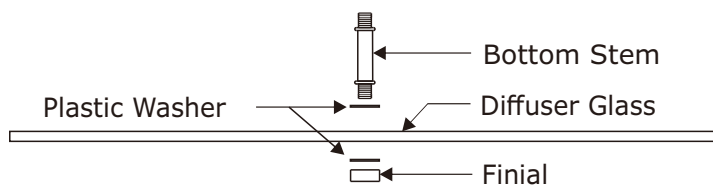
60 Watts Recommended 100 Watts Max.

USE LED BULBS FOR EXTENDED USE

### How to Install

1. Do a complete inventory of all parts and components before you start installation.
2. Install bulbs (not included).
3. Remove the finial and the two plastic washers from the bottom stem.
4. Attach the bottom stem onto the bottom of the light cluster.
5. Put one plastic washer on the bottom of bottom stem, then attach the diffuser glass and the other plastic washer, securing them with the finial.
6. Install the canopy onto the outlet box, and secure it with the ball nuts.
7. After safely attaching fixture into outlet box, proceed to connecting the power.

### DETAILED ILLUSTRATION



**WARNING:** This product can expose you to Lead, which is known to the State of California to cause cancer and/or birth defects or reproductive harm. For more information go to [www.P65Warnings.ca.gov](http://www.P65Warnings.ca.gov).

# CRYSTORAMA

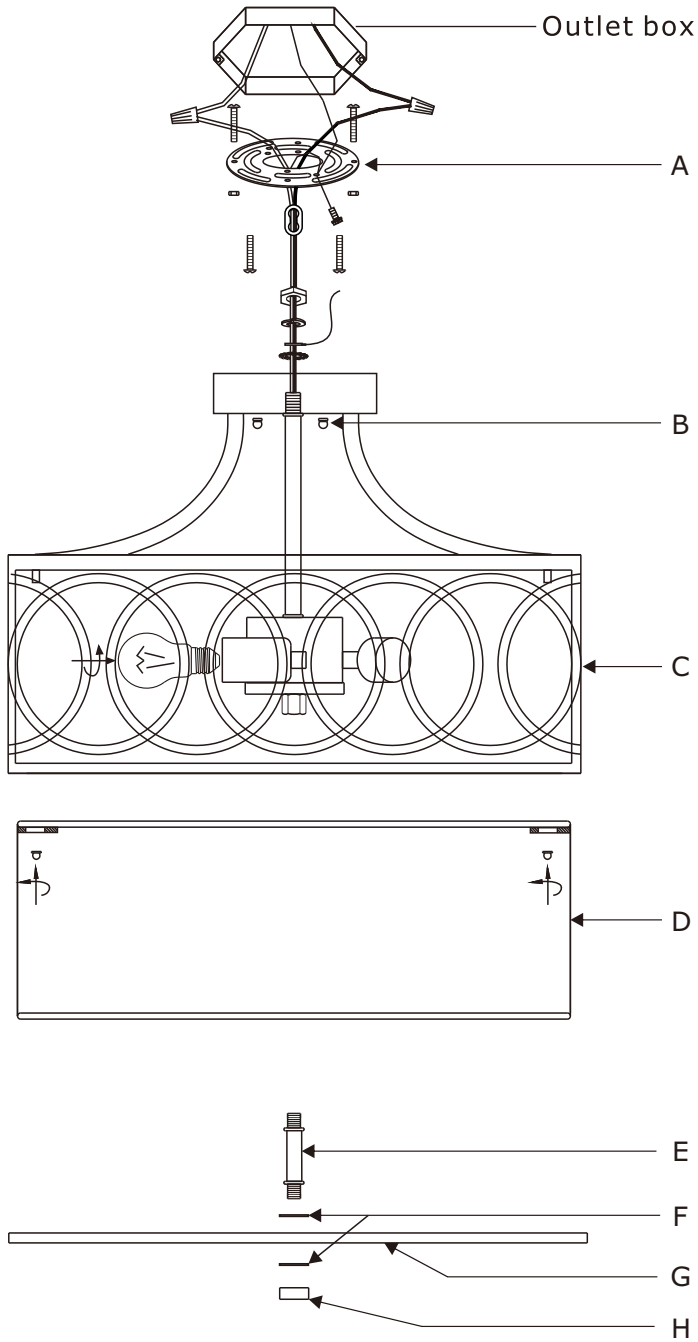
LIGHTING THE WAY FOR SIXTY YEARS



Crystorama.com

PART NUMBER MODEL #285-SA

## Part Number



- A. (1) - Mounting Hardware
- B. (5) - Ball Nut #XRE283SABANUT
- C. (1) - Metal Frame
- D. (1) - White Cloth Shade(W13.39",H5.12") #XRE285SHA13.3IN
- E. (1) - Bottom Stem(1.97",9.5mm)
- F. (2) - Plastic Washer
- G. (1) - Diffuser Glass(W13.39") #XRE285DIF13.3IN
- H. (1) - Finial #XRE285SAFIN