



CAL LIGHTING

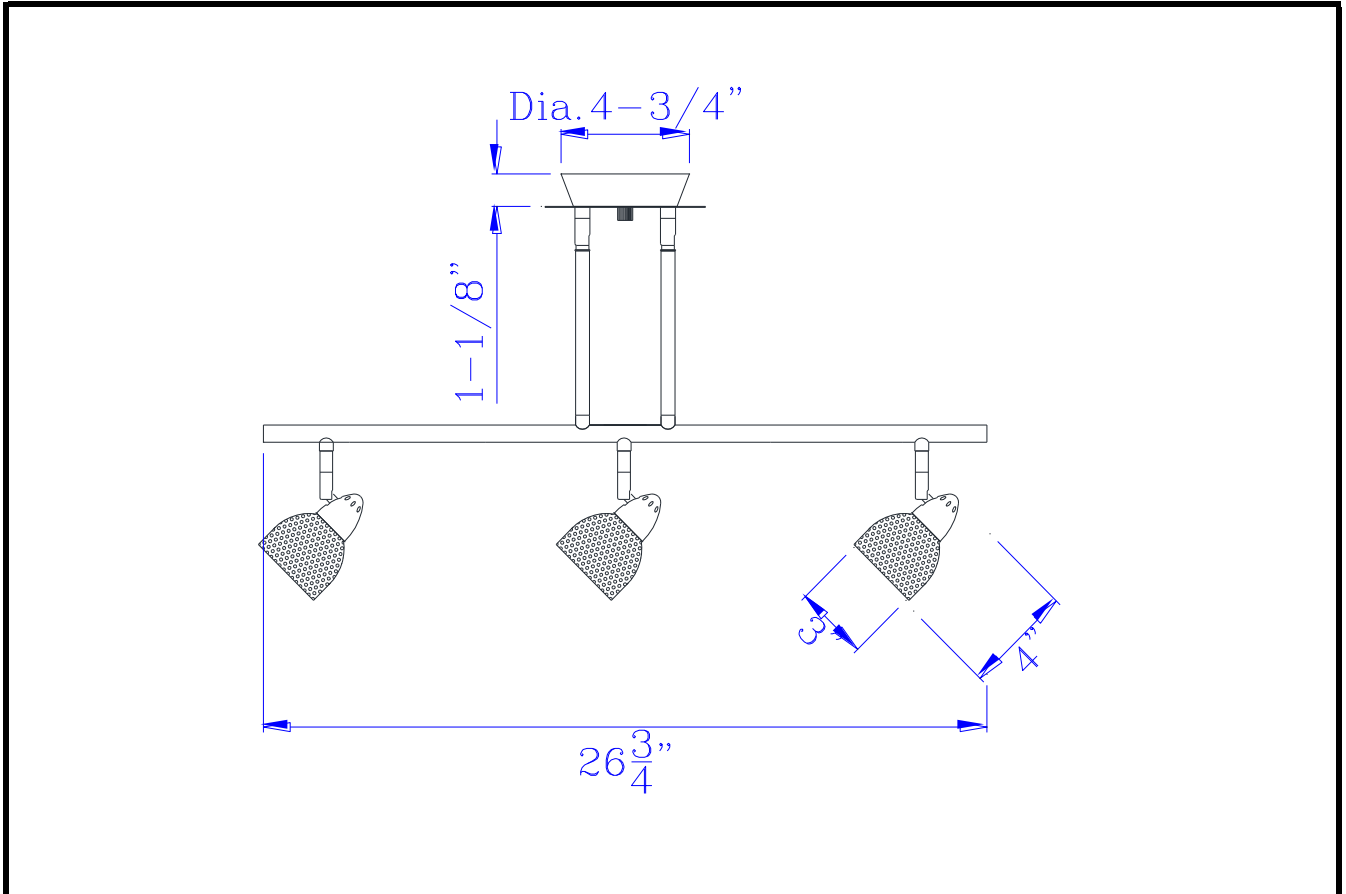
3625 E. Philadelphia St. Ontario CA. 91761 • Tel: 909.947.5200 • Fax:
909.947.5673 • www.calighting.com • service@calighting.com •
Specifications subject to change without notice

Type: _____

Project: _____

Catalog No.: _____

Lamp/Wattage: _____



Model No. : SL-954-3

Description: Serpentine 3 Lights, comes with a pair 4", 8" and universal joint (2")

Material: Metal

Bulb : GU-10

Socket : GU-10

Voltage : 120V

Wattage : 50W Max. (each head)

Finish : BS (brushed steel)

Width: 26 3/4"

Shade : Metal

Mounting : Hardwire

Certificate :

