

MONORAIL

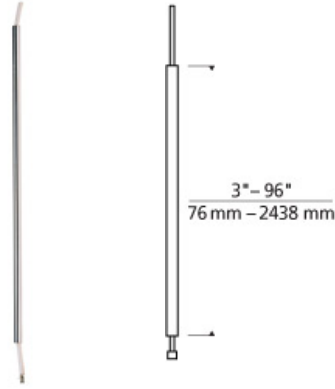
MonoRail Power Extender

DESCRIPTION

Add to power feed canopy or surface transformer to drop power from ceiling. For dual-feed canopies and transformers, order two. Field-cutttable.

WEIGHT

0.25-2.55lb / 0.11-1.16kg ±



ORDERING INFORMATION

700MOP	LENGTH (A)	FINISH
03	3"	Z ANTIQUE BRONZE
06	6"	C CHROME
12	12"	S SATIN NICKEL
24	24"	
36	36"	
48	48"	
96	96"	



TECH LIGHTING®

7400 Linder Avenue
Skokie, Illinois 60077

T 847.410.4400
F 847.410.4500

Tech Lighting, L.L.C.

700MOP _____

FIXTURE TYPE: _____

JOB NAME: _____

NOTES: _____



©2014 Tech Lighting, L.L.C. All Rights Reserved. The "Tech Lighting" graphic is a registered trademark of Tech Lighting, L.L.C. Tech Lighting reserves the right to change specifications for product improvements without notification.